



Important notes about Classic Panel Mount Indicator Catalog Pages

SCROLL DOWN TO VIEW CATALOG PAGE

This catalog page is out-of-print and is used with the understanding that the information shown could be out-of-date. In many cases, part numbers shown on this page are discontinued. Most notably, many "Complete Assembly" parts, which consist of a cap and a base, can no longer be ordered by the 14-digit ordering code. To obtain these parts, please order the cap and base part numbers separately. This process provides the components contained with the original "Complete Assembly" part number.

All Dialight Classic Panel Mount Indicators need a leading 3-digit numerical series. In some cases, this catalog will show a 2-digit series. In this case, please add a leading zero. For example, 81-0211-300 becomes 081-0211-300.

Part numbers listed on Dialight catalog pages designate parts with Red lenses. For ordering lens colors other than red, consult the chart below. In most cases, the color is dictated by the 7th digit. For example, 095-0932-003 for a green cap.

Lens Colors	
1 - Red	5 - White
2 - Green	6 - Light Yellow
3 - Yellow	7 - Clear
4 - Blue	

[Click here for a cross reference guide to assembly part numbers.](#)

[Click here to view Frequently Asked Questions concerning Panel Mount Indicators.](#)

SCROLL DOWN TO VIEW CATALOG PAGE



T-2
C7A (NE-2D)
C9A (NE-2J)
MIDGET
FLANGE BASE

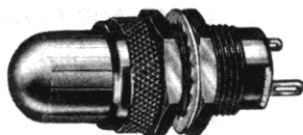
See lamp ratings
on page L.

See recommended resistor
values on page L.

This omnidirectional stovepipe lens is molded of high heat plastic to a special design: About two-thirds of the lens is "fluted," and the remaining portion is smooth. This produces clear light framed by a sparkling "halo" when viewed from the front. Softer light is afforded along the "fluted" sides. The C7A (NE-2D) or C9A (NE-2J) Neon Lamp enters high into the lens for greater effectiveness.

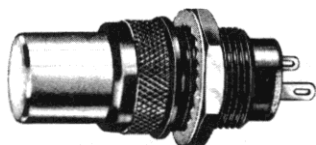
Whether used on the front insertion or the back insertion assembly, the stovepipe or cylindrical lens cap is readily removable from the front of the panel, thus making the lamp accessible for easy replacement.

MOUNT IN 15/32" CLEARANCE HOLE
FRONT OR BACK OF PANEL INSERTION
WITH MOVABLE FLANGE



145-3836-0991-201

MOUNT IN 17/32" CLEARANCE HOLE
FRONT OF PANEL INSERTION
WITH FIXED FLANGE



138-5036-1431-201

145 SERIES
138 SERIES

BASE PART NUMBERS

Neon Indicators

with STOVEPIPE or ROTATABLE CYLINDRICAL LENS
WITHOUT BUILT IN RESISTORS

When connecting a neon light to a circuit having one side grounded, always connect the hot side of the circuit to the terminal marked + (Center contact).

ROTATABLE LENS

Specially designed spring mounting facilitates rotation of lens and alignment of legend—after installation of the Indicator Light.

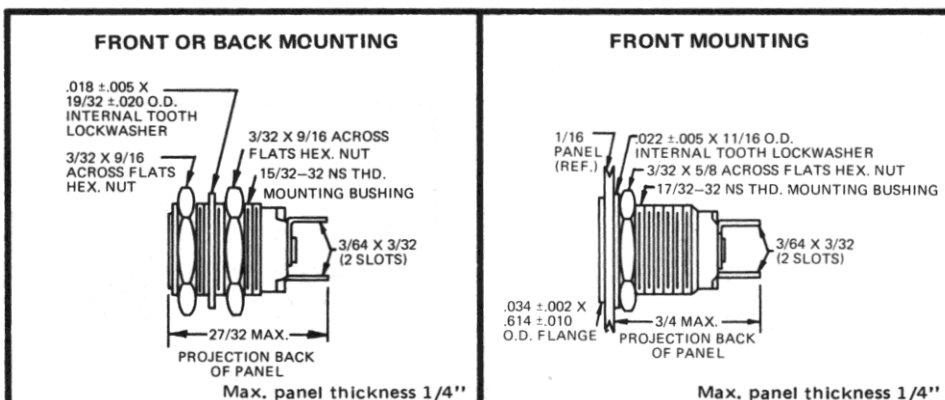
MATERIALS AND FINISHES

- **Mounting Bushing and Lens Holder:** Brass, black nickel finish. Optional—White nickel or chrome finish.
- **Mounting Nut:** Front or Back Mtg. (movable flange)—Brass, black nickel finish. Optional—White nickel finish. Front Mtg. (fixed flange)—Brass, white nickel finish.
- **Flange Nut:** (movable)—Brass, black nickel finish. Optional—White nickel or chrome finish.
- **Internal-tooth Lockwasher:** Phosphor bronze, white nickel finish.
- **Terminals:** Brass, hot tinned, with elongated slot.

How to designate the Three Digit Part Number Suffix (-XXX)

Finish	Resistor	Hardware
1 - white nickel	0 - none	1 - brass
2 - black nickel		3 - water tight on face of panel
3 - polished chrome		

Example: 145-3836-0991-301 (polished chrome finish, no resistor, brass hardware).

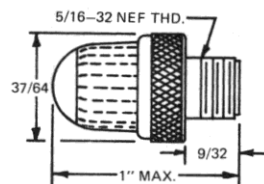


WITHOUT BUILT-IN RESISTOR
101-3830-09-201

WITHOUT BUILT-IN RESISTOR
101-5030-09-201

CAP PART NUMBERS

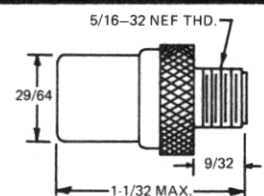
COMPLETE ASSEMBLY PART NUMBERS



STOVEPIPE
145-0991-200
transparent
internal fluting

145-3836-0991-201

145-5036-0991-201



CYLINDRICAL
138-1431-200
transparent

138-3836-1431-201

138-5036-1431-201

For legends on flat faced lens, see page P.

Part numbers listed in this catalog designate products with RED lens.
For ordering lens colors other than red, consult chart on page 4C.

Part numbers shown in gray are normally in inventory at your Dialight Distributor.