



RAYCHEM

TE Internal #: 8980523001

Twisted Pair Cable, Spec 100G, Operating Voltage 750 VAC, Tin-Plated Copper, .5 mm² Wire Size, Operating Temperature Range -55 – 105 °C

[View on TE.com >](#)

Wire & Cable > Twisted Pair Cable



Cable Type: **Spec 100G**

Operating Voltage: **750 VAC**

Wire & Cable Insulation Material: **Flame-Retardant, Modified Polyester**

Conductor Material: **Tin-Plated Copper**

Wire Size: **.5 mm²**

Features

Electrical Characteristics

Operating Voltage	750 VAC
-------------------	---------

Body Features

Wire & Cable Insulation Material	Flame-Retardant, Modified Polyester
Conductor Material	Tin-Plated Copper

Dimensions

Wire Size	.5 mm ²
-----------	--------------------

Usage Conditions

Cable Type	Spec 100G
Operating Temperature Range	-55 – 105 °C

Product Compliance

[For compliance documentation, visit the product page on TE.com>](#)

EU RoHS Directive 2011/65/EU	Compliant
EU ELV Directive 2000/53/EC	Compliant
China RoHS 2 Directive MIIT Order No 32, 2016	No Restricted Materials Above Threshold
EU REACH Regulation (EC) No. 1907/2006	Current ECHA Candidate List: JUNE 2023 (235)



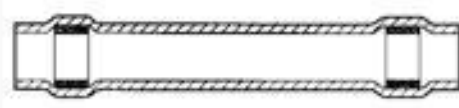
Candidate List Declared Against: JUNE 2023 (235)
Does not contain REACH SVHC

Halogen Content	Out of Scope - excluded from Halogen requirements
Solder Process Capability	Not applicable for solder process capability

Product Compliance Disclaimer

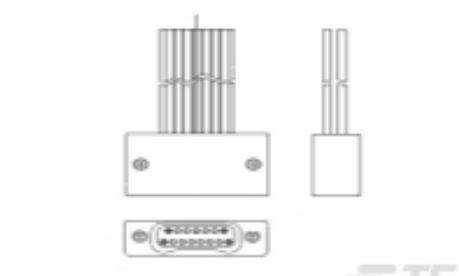
This information is provided based on reasonable inquiry of our suppliers and represents our current actual knowledge based on the information they provided. This information is subject to change. The part numbers that TE has identified as EU RoHS compliant have a maximum concentration of 0.1% by weight in homogenous materials for lead, hexavalent chromium, mercury, PBB, PBDE, DBP, BBP, DEHP, DIBP, and 0.01% for cadmium, or qualify for an exemption to these limits as defined in the Annexes of Directive 2011/65/EU (RoHS2). Finished electrical and electronic equipment products will be CE marked as required by Directive 2011/65/EU. Components may not be CE marked. Additionally, the part numbers that TE has identified as EU ELV compliant have a maximum concentration of 0.1% by weight in homogenous materials for lead, hexavalent chromium, and mercury, and 0.01% for cadmium, or qualify for an exemption to these limits as defined in the Annexes of Directive 2000/53/EC (ELV). Regarding the REACH Regulation, the information TE provides on SVHC in articles for this part number is based on the latest European Chemicals Agency (ECHA) 'Guidance on requirements for substances in articles' posted at this URL: <https://echa.europa.eu/guidance-documents/guidance-on-reach>

Compatible Parts

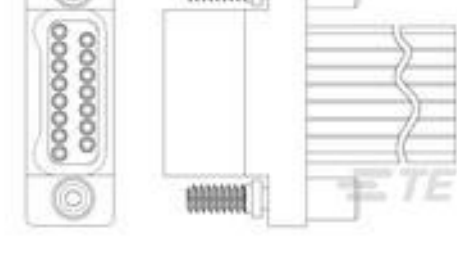


TE Part # 650074-000
D-436-36

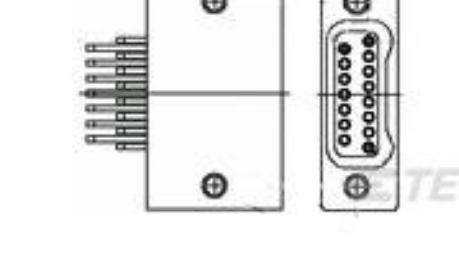
Customers Also Bought



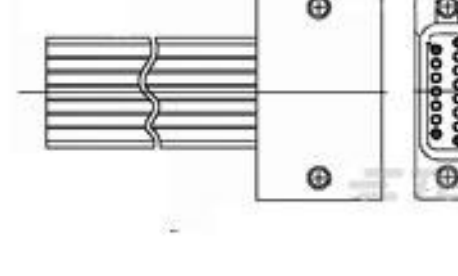
TE Part #9-1589476-1
STM015SC2DX010N = WDUALOBE



TE Part #8-1589946-7
STM025PC0DM018N = W DUALOBE



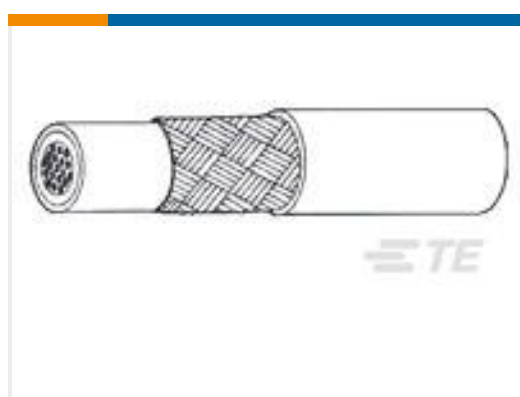
TE Part #2-1589483-7
STL065L2HN = SMT CONN



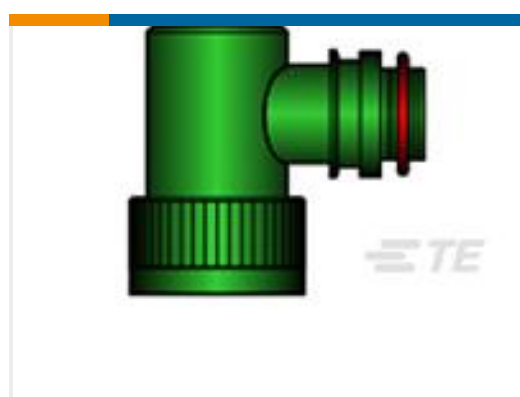
TE Part #4-1589777-3
STM065SC2DM024N = WDUALOBE



TE Part #70H1-19-16-1-B
70H1-19-16-1-B



TE Part #387811-000
44A1111-20-4-9



TE Part #CS0143-000
TXR40SJ90-2418BI



TE Part #E146163001
55A9012-30-4/5



TE Part #A05444-000
TXR41AB45-2008BI

Documents

Product Drawings

[100G1131-0.50-2/6/9-0](#)

English

Datasheets & Catalog Pages

[1654025_Sec9_Zerohal100G](#)

English

[Raychem Wire and Cable Quick Reference Guide](#)

English