



**RAYCHEM**

TE Internal #: CQ63943001

Spec 100G, Operating Voltage 750 VAC, Tin-Plated Copper, .4 mm<sup>2</sup> Wire Size, Operating Temperature Range -55 – 105 °C, Twisted Pair Cable

[View on TE.com >](#)

Wire & Cable > Twisted Pair Cable



Cable Type: **Spec 100G**

Operating Voltage: **750 VAC**

Wire & Cable Insulation Material: **Flame-Retardant, Modified Polyester**

Conductor Material: **Tin-Plated Copper**

Wire Size: **.4 mm<sup>2</sup>**

**Features**

**Electrical Characteristics**

Operating Voltage	750 VAC
-------------------	---------

**Body Features**

Wire & Cable Insulation Material	Flame-Retardant, Modified Polyester
Conductor Material	Tin-Plated Copper

**Dimensions**

Wire Size	.4 mm <sup>2</sup>
-----------	--------------------

**Usage Conditions**

Cable Type	Spec 100G
Operating Temperature Range	-55 – 105 °C[-67 – 221 °F]

**Product Compliance**

[For compliance documentation, visit the product page on TE.com>](#)

EU RoHS Directive 2011/65/EU	Compliant
EU ELV Directive 2000/53/EC	Not Yet Reviewed
China RoHS 2 Directive MIIT Order No 32, 2016	No Restricted Materials Above Threshold
EU REACH Regulation (EC) No. 1907/2006	Current ECHA Candidate List: JUNE 2024 (241)



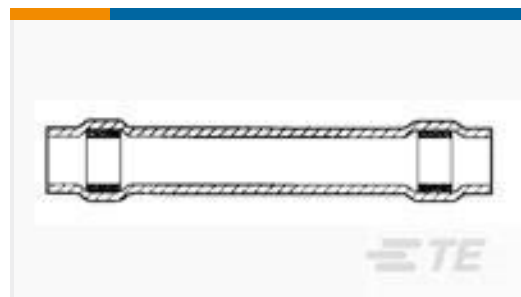
Candidate List Declared Against: JUNE 2024 (241)  
Does not contain REACH SVHC

Halogen Content	Out of Scope - excluded from Halogen requirements
Solder Process Capability	Not applicable for solder process capability

Product Compliance Disclaimer

This information is provided based on reasonable inquiry of our suppliers and represents our current actual knowledge based on the information they provided. This information is subject to change. The part numbers that TE has identified as EU RoHS compliant have a maximum concentration of 0.1% by weight in homogenous materials for lead, hexavalent chromium, mercury, PBB, PBDE, DBP, BBP, DEHP, DIBP, and 0.01% for cadmium, or qualify for an exemption to these limits as defined in the Annexes of Directive 2011/65/EU (RoHS2). Finished electrical and electronic equipment products will be CE marked as required by Directive 2011/65/EU. Components may not be CE marked. Additionally, the part numbers that TE has identified as EU ELV compliant have a maximum concentration of 0.1% by weight in homogenous materials for lead, hexavalent chromium, and mercury, and 0.01% for cadmium, or qualify for an exemption to these limits as defined in the Annexes of Directive 2000/53/EC (ELV). Regarding the REACH Regulation, the information TE provides on SVHC in articles for this part number is based on the latest European Chemicals Agency (ECHA) 'Guidance on requirements for substances in articles' posted at this URL: <https://echa.europa.eu/guidance-documents/guidance-on-reach>

## Compatible Parts



TE Part # 650074-000  
D-436-36

## Customers Also Bought



TE Part #346247-000  
CWT-5-S



TE Part #5070112026  
RNF-100-1-1/2-X-STK



TE Part #5070122014  
RNF-100-2-X-STK

## Documents

**Product Drawings**  
[100G1121-0.40-2/6-0](#)

English

**Datasheets & Catalog Pages**

100G1121-0.40-2/6-0

Spec 100G, Operating Voltage 750 VAC, Tin-Plated Copper, .4 mm<sup>2</sup> Wire Size,  
Operating Temperature Range -55 – 105 °C, Twisted Pair Cable



[1654025\\_Sec9\\_Zerohal100G](#)

English