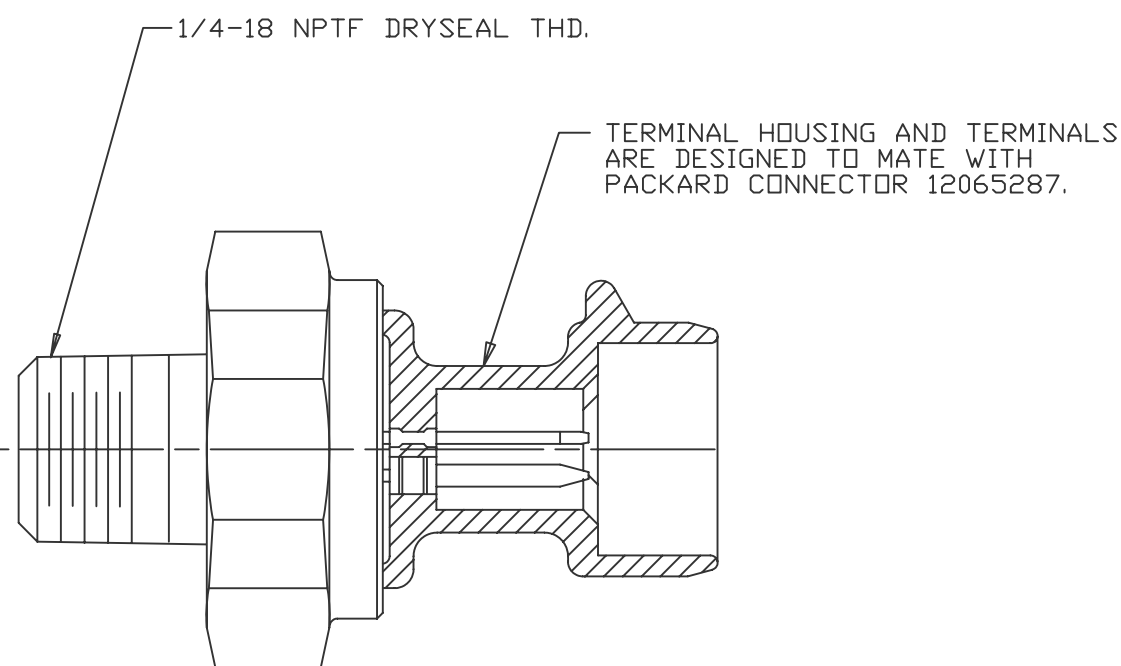


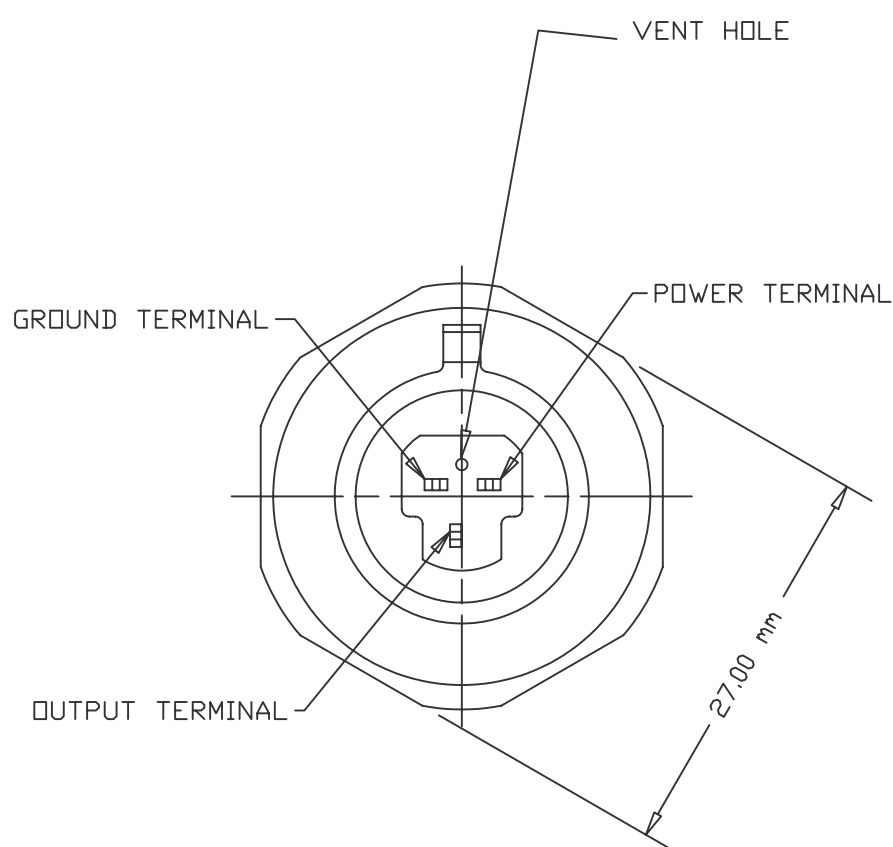
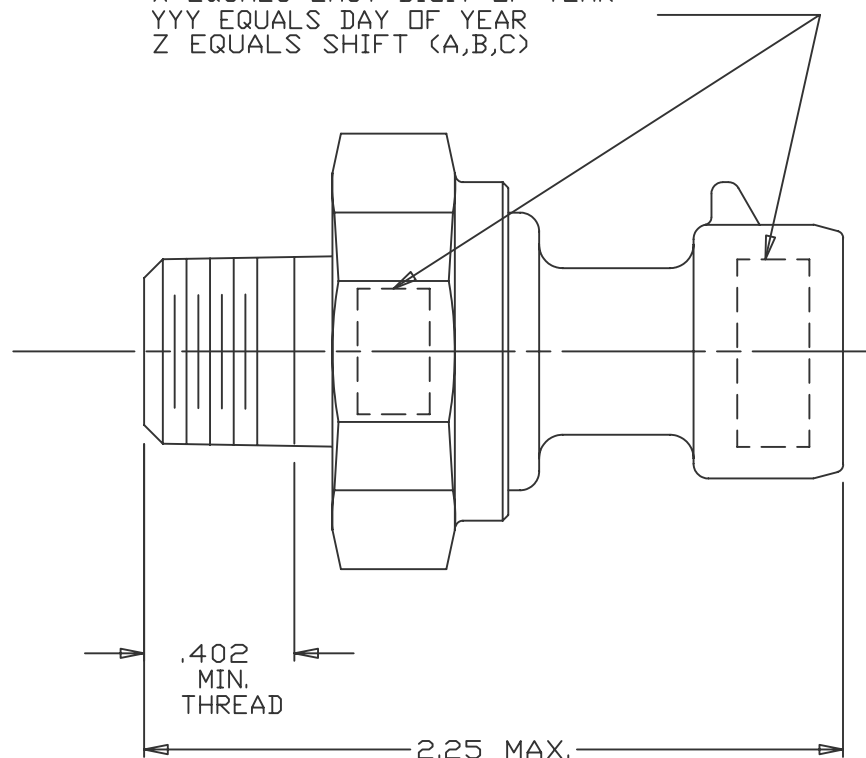
ZONE	REV.	REVISION DESCRIPTION	ECN NO.	DATE
	A	FIRST ISSUE: PD	ECN0031125	08-SEP-2006

SPECIFICATIONS:

- POWER SUPPLY VOLTAGE ----- 4.75V TO 5.25V
- SUPPLY CURRENT ----- 7.0mA MAX. @ 5.25 VOLTS NO LOAD
- OPERATING TEMPERATURE RANGE --- -20°C TO +85°C
- OUTPUT LOAD ----- 10 K OHM PULL DOWN
- CALIBRATION POINTS @25°C----- 37.5 PSIG - 1.1 VDC
212.5 PSIG - 3.9 VDC
- PRESSURE RANGE: ----- 0 - 250 PSIG
- VOLTAGE OUTPUT: ----- 0.5 - 4.5 VDC
- STATIC ERROR BAND @ 25°C: ----- ±1.0% OF SPAN
- TOTAL ERROR BAND: ----- -20°C TO +85°C ±2.5% OF SPAN
- OUTPUT CURRENT ----- 2.5mA MAX
- OVERVOLTAGE PROTECTION ----- 14.0VDC
- REVERSE VOLTAGE PROTECTION ----- -14.0 VDC
- PROOF PRESSURE ----- 750 PSIG
- BURST PRESSURE ----- 1700 PSIG
- RANDOM VIBRATION ----- (<50 - 2000 HZ>), 11GRMS
- EMC PER SAE J1113 (1MHZ - 1GHZ): ----- 25 V/M
- ESD (CDF-AEC-Q100-02) ----- 15kV
- INTERNAL SEAL: ----- CONDUCTIVE
FLUOROSILICONE ELASTOMER
- HOUSING MATERIAL: ----- BRASS CDA 36000

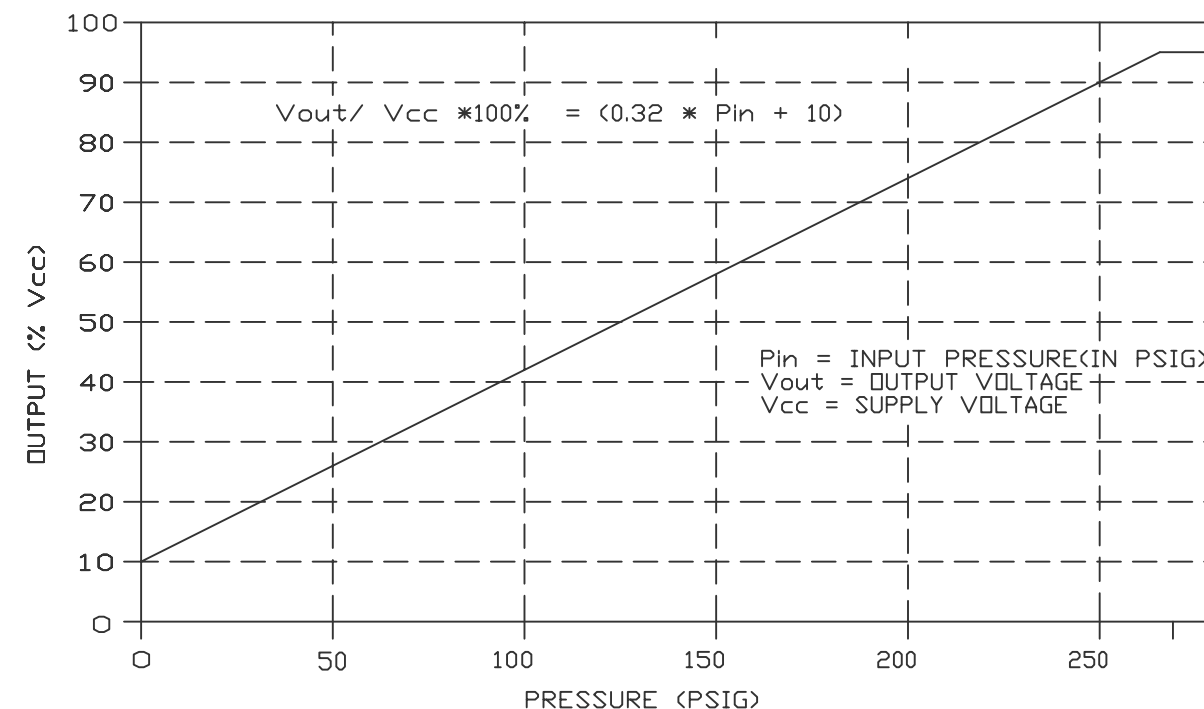


TO APPEAR IN EITHER LOCATION:
SENSATA TECHNOLOGIES PART NO.
DATE CODE: XYYYYZ
WHERE
X EQUALS LAST DIGIT OF YEAR
YYY EQUALS DAY OF YEAR
Z EQUALS SHIFT (A,B,C)



NOTE:
PART MEETS THE REQUIREMENTS OF DIRECTIVE 2002/95/EC (27 JAN 2003) FOR RoHS COMPLIANCE.

TRANSFER FUNCTION



FOR REFERENCE ONLY, CHECK LATEST REVISION BEFORE USE. PARTS MADE TO THIS PRINT MUST CONFORM TO E9898 REV. E		 529 PLEASANT STREET P.O. BOX 2964 ATTLEBORO, MA 02703
DRAWN P.DESAUTEL DATE 08-SEP-2006	NEITHER THIS PRINT NOR THE INFORMATION CONTAINED HEREON IS TO BE USED AGAINST THE INTERESTS OF SENSATA TECHNOLOGIES, INC. OR AGAINST THE INTERESTS OF ANY OF ITS AFFILIATED COMPANIES OR WHOLLY OWNED SUBSIDIARIES	
ENGINEER M.MCKINNON DATE 08-SEP-2006	UNLESS OTHERWISE SPECIFIED DIMENSIONS ARE IN INCHES TOLERANCES DECIMALS ANGLES	TITLE 100CP2-71-74 PRESSURE TRANSDUCER
APPROVED D.STROTT DATE 08-SEP-2006	APPROVED C.FAY DATE 08-SEP-2006	DWG NO. 100CP2-71-74 REV. A
THIRD ANGLE PROJECTION DO NOT SCALE DRAWING	SIZE C	SCALE 1:1 AUTOCAD SHEET 1 OF 1