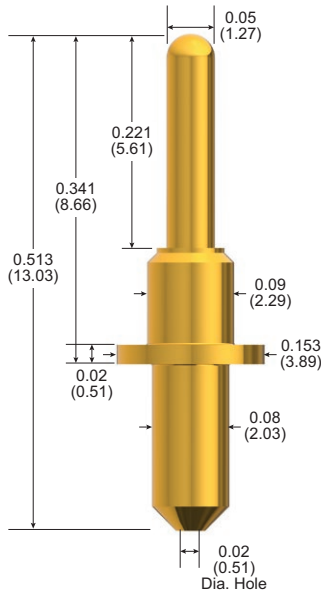


► 100606 PROBE



PROBE SPECIFICATIONS

<b>Minimum Centers</b>	0.175 (4.45)
<b>Current Rating</b>	15 A continuous <i>(individual probe in free air @ ambient temperature)</i>
<b>Spring Force</b>	176 g @ 0.06 (1.52) travel
<b>Typical Resistance</b>	< 10 mΩ
<b>Maximum Travel</b>	0.09 (2.29)
<b>Working Travel</b>	0.06 (1.52)

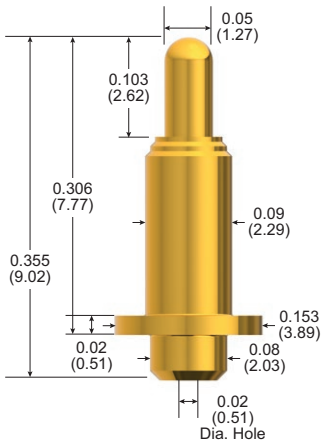
MATERIALS

<b>Barrel</b>	Nickel/silver, gold plated
<b>Spring</b>	Stainless steel, passivated
<b>Plunger</b>	Beryllium copper, gold plated
<b>Bias Ball</b>	Stainless steel

HOW TO ORDER

<b>Part Number</b>	100606-000
--------------------	------------

► 100891 PROBE



PROBE SPECIFICATIONS

<b>Minimum Centers</b>	0.175 (4.45)
<b>Current Rating</b>	15 A continuous <i>(individual probe in free air @ ambient temperature)</i>
<b>Spring Force</b>	256 g @ 0.067 (1.70) travel
<b>Typical Resistance</b>	< 5 mΩ
<b>Maximum Travel</b>	0.10 (2.54)
<b>Working Travel</b>	0.067 (1.70)

MATERIALS

<b>Barrel</b>	Nickel/silver, gold plated
<b>Spring</b>	Stainless steel, gold plated
<b>Plunger</b>	Beryllium copper, gold plated

HOW TO ORDER

<b>Part Number</b>	100891-002
--------------------	------------