

PRODUCT NUMBER
10082202-YXX-XXLF

PLATING _____
1 = 0.76µm GOLD OR 0.76µm GXT (PdNi WITH GOLD FLASH) ON CONTACT AREA
2µm MATTE TIN ON TAIL

LEAD FREE, RoHS COMPATIBLE
SEE NOTE 7
TOTAL NB OF POSITIONS
04 TO 72
PACKAGING NOTE 3.

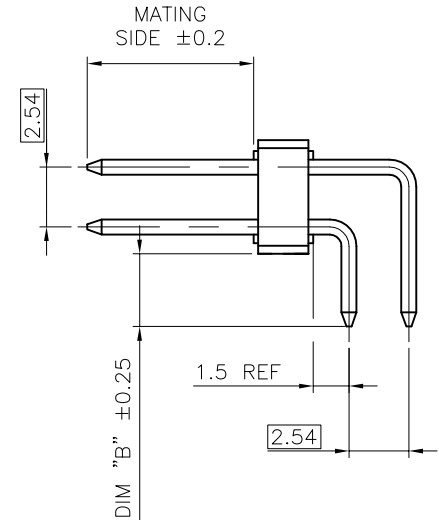
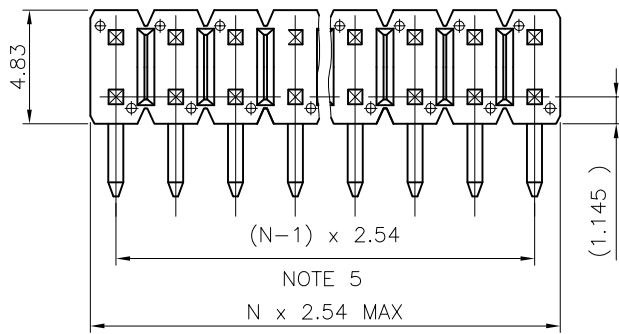
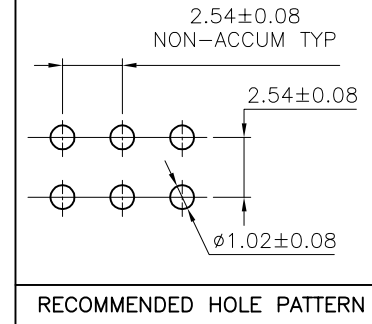
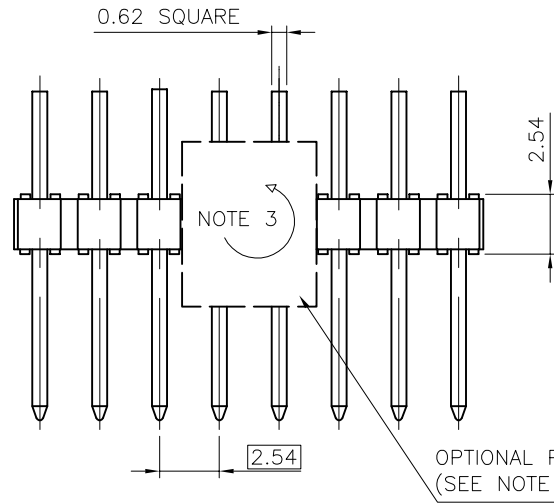
4 = 2µm MATTE TIN ON CONTACT AREA AND TAIL
8 = 0.38µm GOLD ON CONTACT AREA
2µm MATTE TIN ON TAIL

PIN STYLE	DIM "B"	MATING SIDE
01	2.50	5.84
02	2.50	6.75
03	3.00	5.84
04	3.00	6.75

NOTES:

- HOUSING MAT'L : HIGH TEMPERATURE THERMOPLASTIC. UL94V-0 COLOR: BLACK
- PIN MATERIAL : PHOSPHOR BRONZE
- PACKAGING :
- = POLY BAGS
A = TAPE & REEL WITH CAP, SEE TA840 FOR PRODUCT AVAILABILITY.
PICK-UP CAP 90° ROTATED FOR ODD NB OF CONTACTS ON PER ROW
- 9N MIN RETENTION IN EITHER DIRECTION
- TO DETERMINE DIMENSIONS :
N = NUMBER OF POSITIONS PER ROW
EXAMPLE : 8 POS N x 2.54 = 20.32mm
- UNDERPLATING : 1.27µm Ni MIN
- RoHS COMPATIBLE PRODUCT SPECIFICATIONS

- PLATING:**
- "LF" MEANS THE PRODUCT IS LEAD-FREE, 2µm MINIMUM MATTE TIN OVER 1.27µm MINIMUM NICKEL UNDERPLATE.
- MANUFACTURING PROCESS COMPATIBILITY**
- THE HOUSING WILL WITHSTAND EXPOSURE TO 260°C PEAK TEMP FOR 30 SECONDES IN A CONVECTION, INFRARED, OR VAPOR REFLOW OVEN
- LABELING:**
- MEETS PACKAGING SPECS AS PER GS-14-920
- LEGAL STATEMENT:** SEE GS-22-008



mat'l. code SEE NOTES		surface ISO 1302	tolerance ISO 406 ISO 1101	projection mm	product family BERGSTIK
ltr	ecn no	dr	date	tolerances unless otherwise specified	title UNSHR.HEADER RA DR PIN IN PASTE
A	F08-0104	LMU	08.01.15	angles .X ±0.3	dwg no 10082202 sheet 1 of 1 size A3
B	F08-0129	LMU	08.02.22	linear .XX ±0.15	
C	F09-0072	JCO	09.07.23	.XXX ±0.05	
sheet index		revision sheet	scale 5:1		type CUSTOMER Drawing