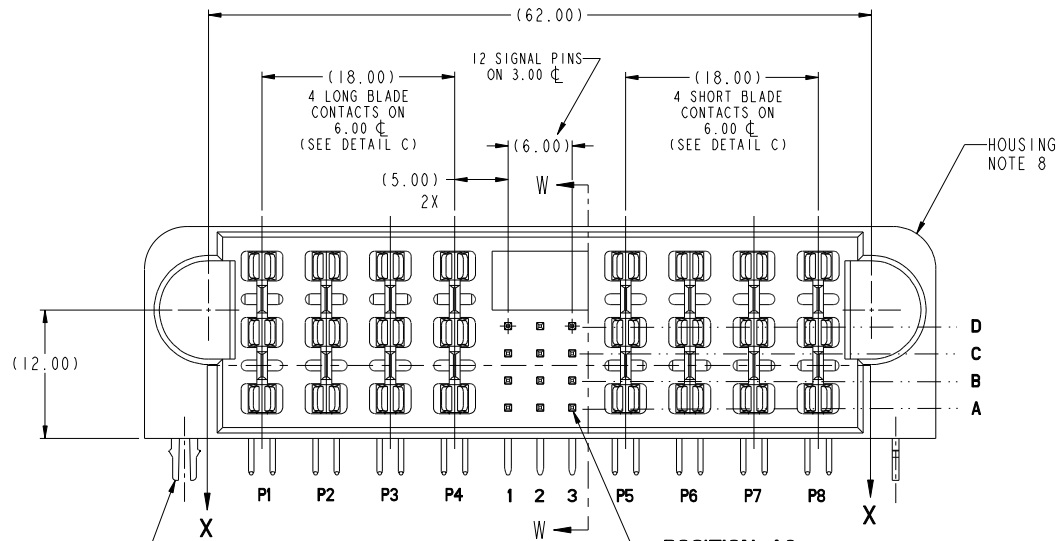
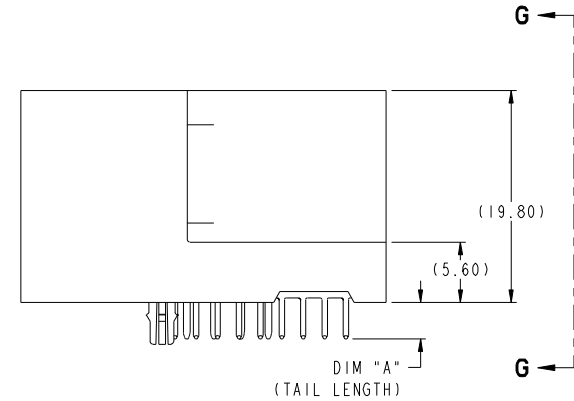


SEE DETAIL C SECTION X-X



POSITION A3 SHORT DETECT PIN SEE SECTION W-W

RETENTION CLIPS OPTIONAL (SEE P/N TABLE)

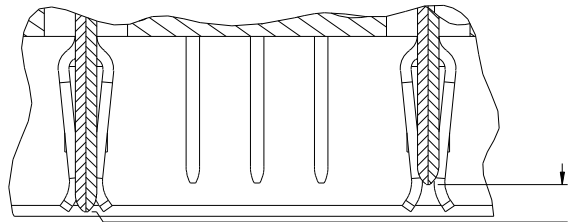


DIM "A" (TAIL LENGTH)

Copyright FCI.

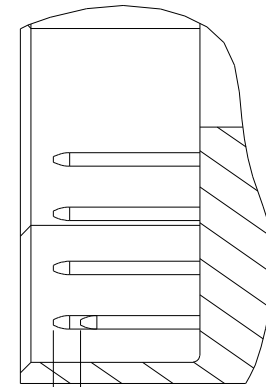
rev	ecn no	dr	date
A	DG10-0151	WD	2010/04/27
-	-	-	-
-	-	-	-
-	-	-	-
-	-	-	-

www.fciconnect.com		surface	tolerance std	projection	mm
		ASME Y14.5	ASME Y14.5		
TOLERANCES UNLESS OTHERWISE SPECIFIED					
Dr	T. HOUTZ	2007/07/16	ANGULAR	0.x	±.5
Eng	H. NGO	2007/07/16	LINEAR	0.xx	±.25
Chr	H. NGO	2007/07/16	0°	±2°	0.xxx
Appr	H. NGO	2007/07/16	Product family		size
				HCI	A2
				ECN	Scale
				Product family	3:1
				HCI	Spec ref
				HCI	
TITLE				10080655	Rev.
R/A HDR ASSY 4P-12S-4P					A
FCI				customer	sheet 1 of 5
catalog no					



DETAIL C
SCALE 6:1
 POWER MATING
 SEQUENCE

(1.27)

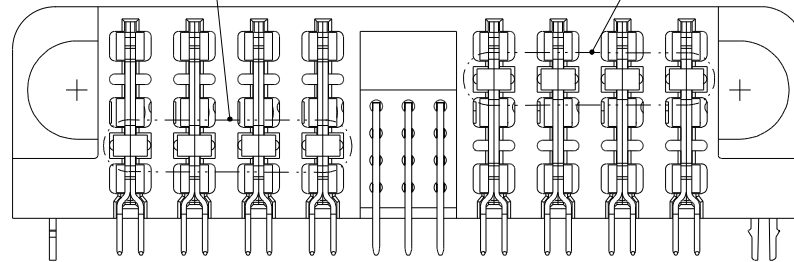


(1.27)

SECTION W-W
SCALE 6:1
 SIGNAL MATING
 SEQUENCE

KEYED FOR SHORT CONTACTS
 4X

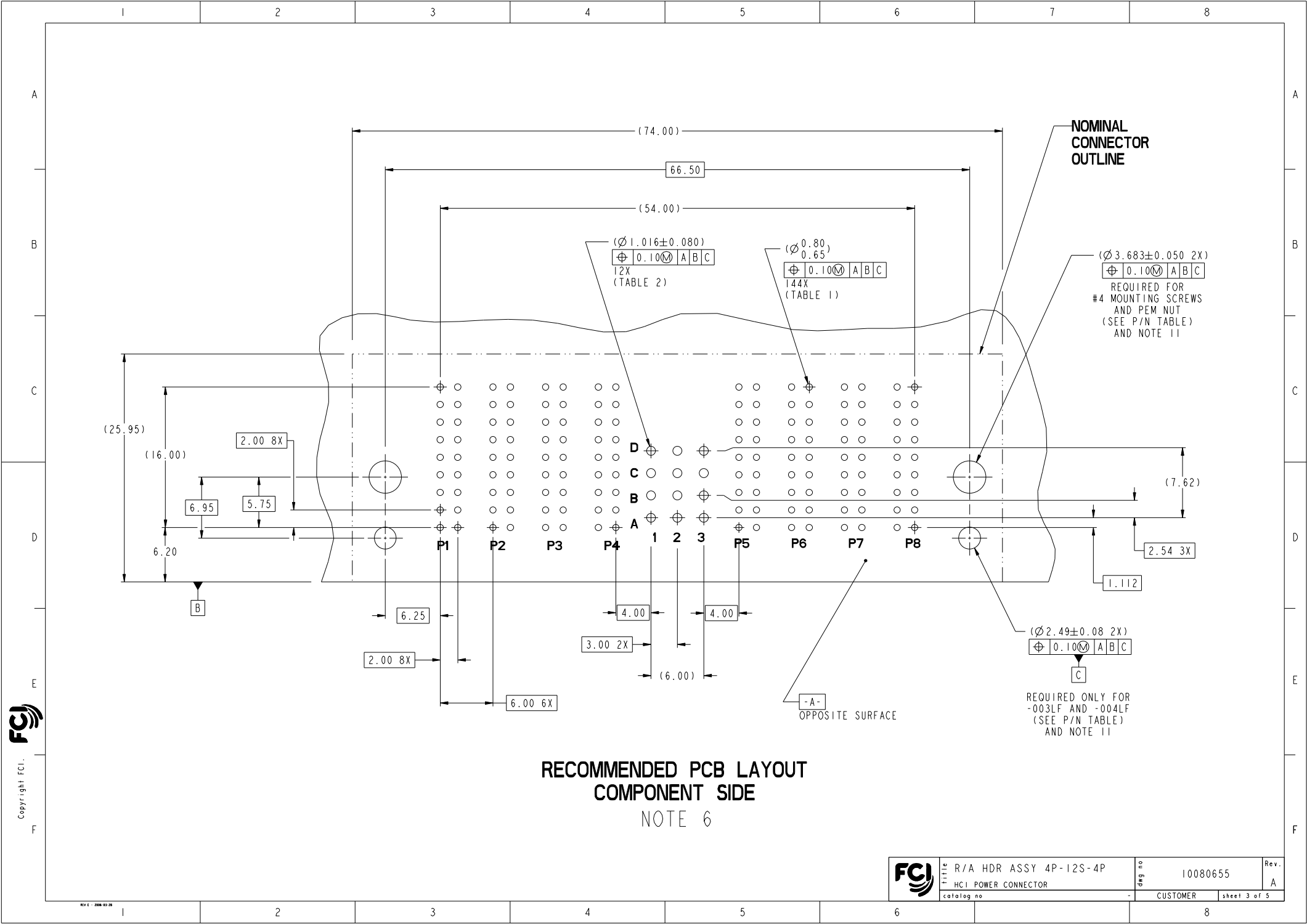
KEYED FOR LONG CONTACTS
 4X



VIEW G-G

Copyright FCI.
FCI

FCI	TITLE	R/A HDR ASSY 4P-12S-4P	Rev.	A
	customer no	10080655	sheet 2 of 5	
	CATALOG no	CUSTOMER		



**RECOMMENDED PCB LAYOUT
COMPONENT SIDE
NOTE 6**

Copyright FCI.
FCI

FCI	FILE	R/A HDR ASSY 4P-12S-4P	drg no	10080655	Rev.	A
	TITLE	HCI POWER CONNECTOR		CUSTOMER		sheet 3 of 5
	CATALOG NO					

1 2 3 4 5 6 7 8

A

A

TOP LAYER DESCRIPTION	TABLE 1 (HCI POWER) PLATED THROUGH-HOLE REQUIREMENTS							
	DRILLED HOLE DIAMETER	COPPER THICKNESS	TIN-LEAD THICKNESS	NICKEL THICKNESS	GOLD THICKNESS	TIN THICKNESS	SILVER THICKNESS	FINISHED HOLE DIAMETER
TIN-LEAD	0.81-0.86 (0.85 DRILL)	0.025 - 0.050	0.005 - 0.015	--	--	--	--	0.65 - 0.80
IMMERSION TIN	0.81-0.86 (0.85 DRILL)	0.025 - 0.050	--	--	--	0.9 - 1.5um	--	0.70 - 0.80
IMMERSION SILVER	0.81-0.86 (0.85 DRILL)	0.025 - 0.050	--	--	--	--	0.15 - 0.65um	0.70 - 0.80
COPPER (SEE NOTE 9)	0.81-0.86 (0.85 DRILL)	0.025 - 0.050	--	--	--	--	--	0.70 - 0.80
GOLD	0.81-0.86 (0.85 DRILL)	0.025 - 0.050	--	0.003 - 0.007	FLASH UP TO 0.0002	--	--	0.69 - 0.80

B

B

C

C

TOP LAYER DESCRIPTION	TABLE 2 (HPC SIGNALS) PLATED THROUGH-HOLE REQUIREMENTS			
	DRILLED HOLE DIAMETER	COPPER THICKNESS	TIN-LEAD THICKNESS	FINISHED HOLE DIAMETER
TIN-LEAD	1.125-1.175 ($\varnothing .0453 \pm .0010$)	0.025-0.050	0.005-0.015	0.94 - 1.10 ($\varnothing .040 \pm .003$)
IMMERSION TIN			--	
IMMERSION SILVER			--	
COPPER (SEE NOTE 9)			--	
GOLD			--	

D


D


E

E

F

F

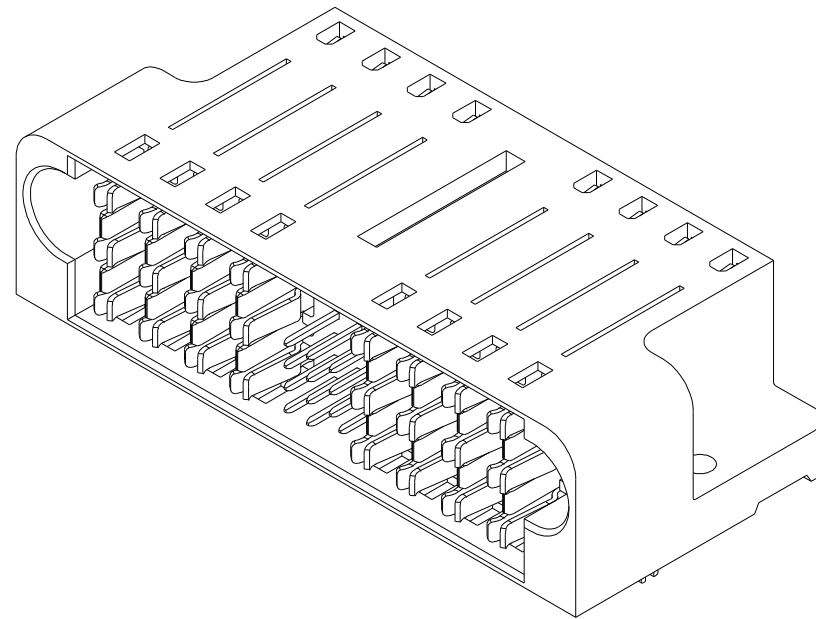
Copyright FCI.


	TITLE	R/A HDR ASSY 4P-12S-4P	diag no	10080655	Rev.	A
	CATALOG NO		CUSTOMER	sheet 4 of 5		

REV C - 2008-01-28

1 2 3 4 5 6 7 8

PART NUMBER	RETENTION CLIPS	#4 SCREW	DIM A (TAIL LENGTH)	TAIL TYPE
10080655-001LF	NO	YES	3.43	SOLDER TAIL
10080655-002LF	NO	YES	4.70	SOLDER TAIL
10080655-003LF	YES	NO	3.43	SOLDER TAIL
10080655-004LF	YES	NO	4.70	SOLDER TAIL



NOTES:

1. CONNECTOR MATERIALS:
HOUSING: HIGH TEMPERATURE THERMOPLASTIC, BLACK
UL 94V-0 COMPLIANT
CONTACTS: HIGH PERFORMANCE COPPER ALLOY
2. CONTACT FINISH (ref GS-12-380 SECTION 5.2)
3. PRODUCT SPECIFICATION: GS-12-380.
4. APPLICATION SPECIFICATION: GS-20-070.
5. PRODUCT MARKING (PRODUCT NUMBER & DATE CODE) ON HOUSING IN AREA SHOWN.
6. MINIMUM NOMINAL PCB THICKNESS: 1.6mm
7. PACKAGING MEETS FCI SPECIFICATION GS-14-1073.
8. HOUSING COMPONENT WILL WITHSTAND EXPOSURE TO 260°C PEAK TEMPERATURE FOR 60 SECONDS IN A CONVECTION, INFRA-RED, OR VAPOR PHASE REFLOW OVEN.
9. COPPER PLATING THICKNESS IN CENTER OF VIA-HOLE CAN BE NO MORE THAN 0.003 LESS THAN OTHER AREAS.
10. ALL HOLE SIZES ARE FINISHED HOLE SIZES.
11. MOUNTING HOLES ARE UNPLATED.

Copyright FCI.

FCI	TITLE	R/A HDR ASSY 4P-12S-4P	Rev.	A
	catalog no	HCI POWER CONNECTOR	10080655	
	CUSTOMER	sheet 5 of 5		