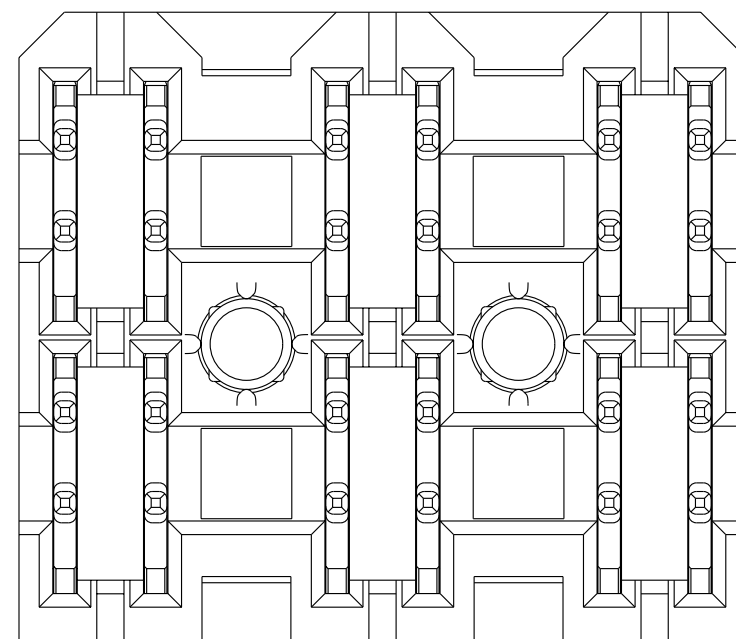
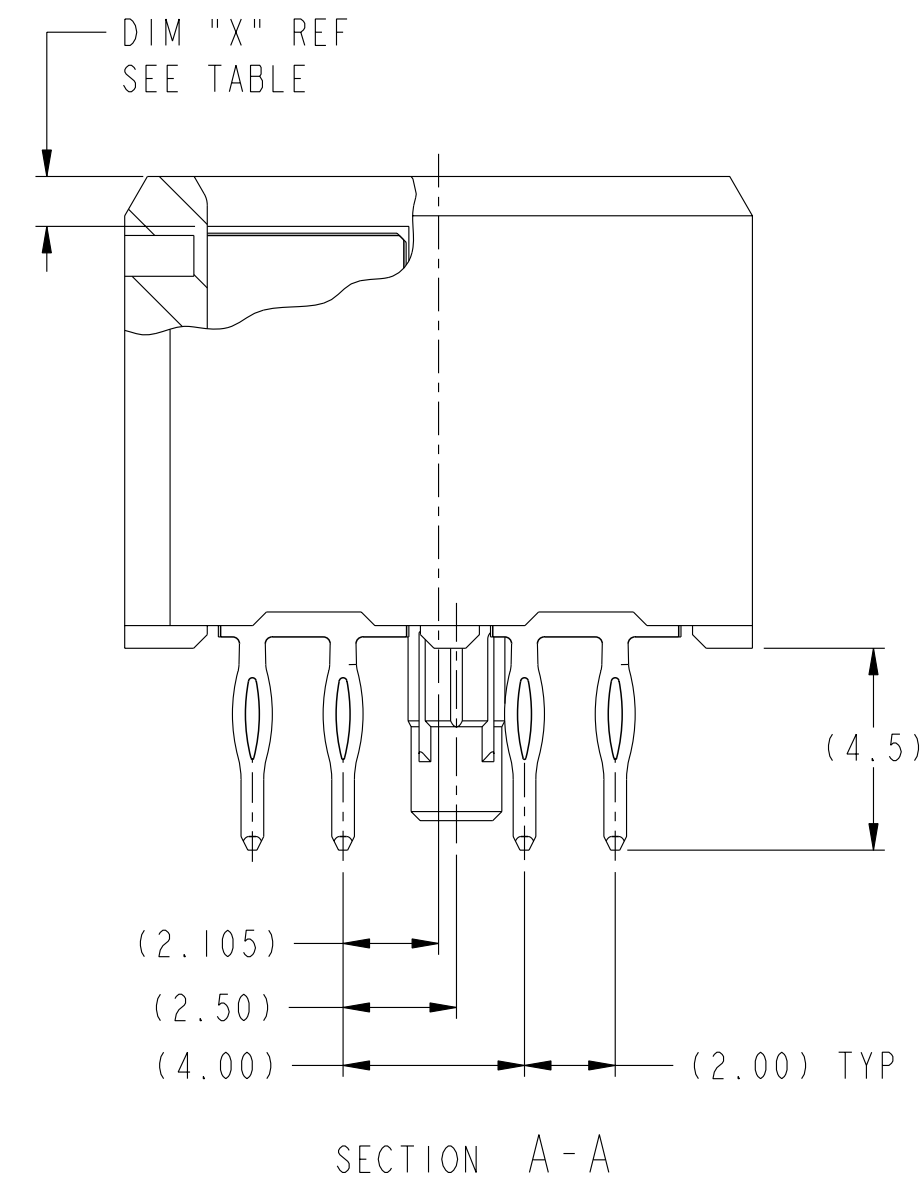
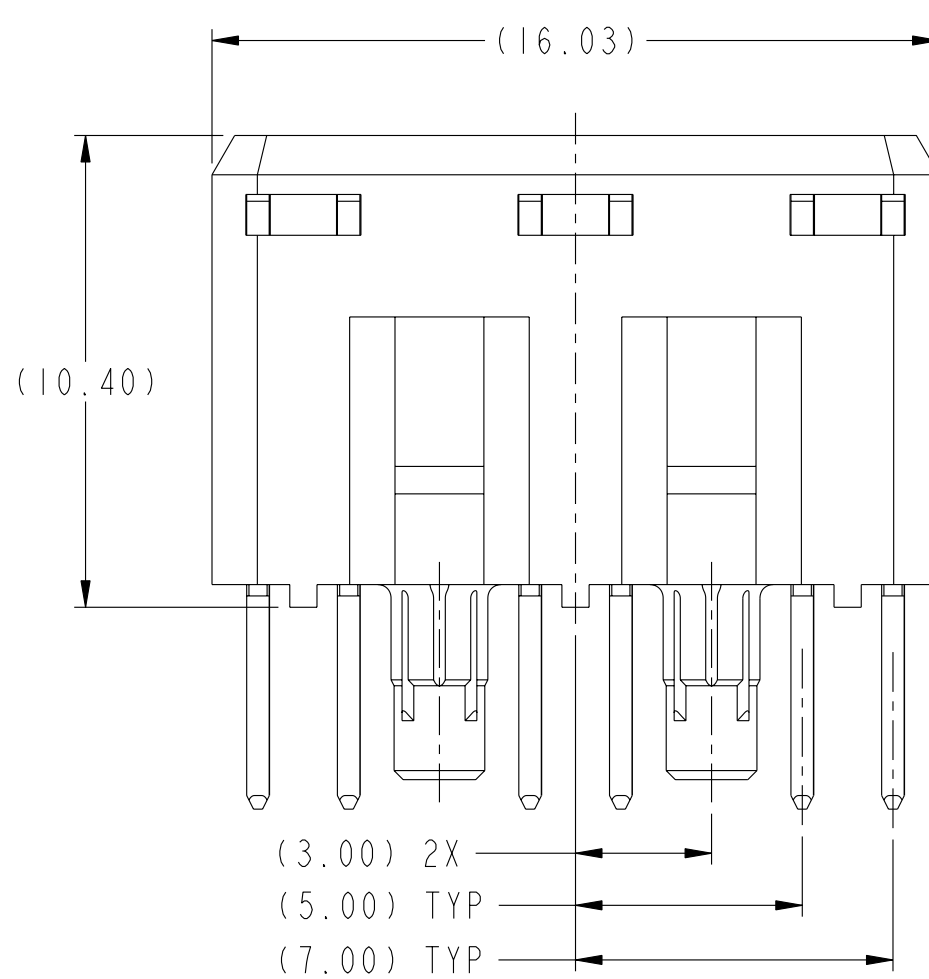
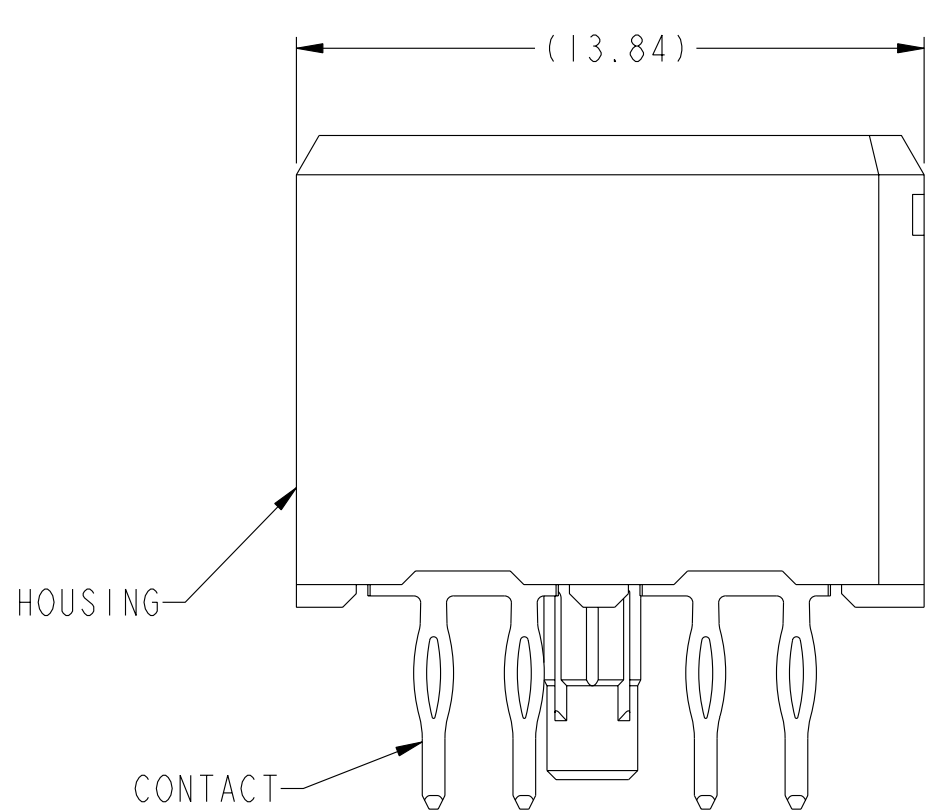
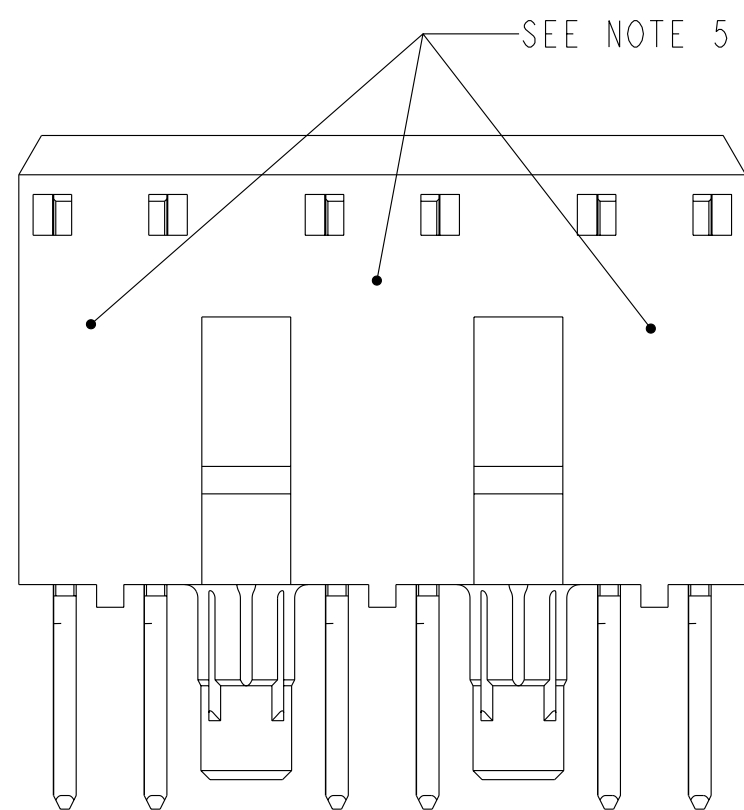
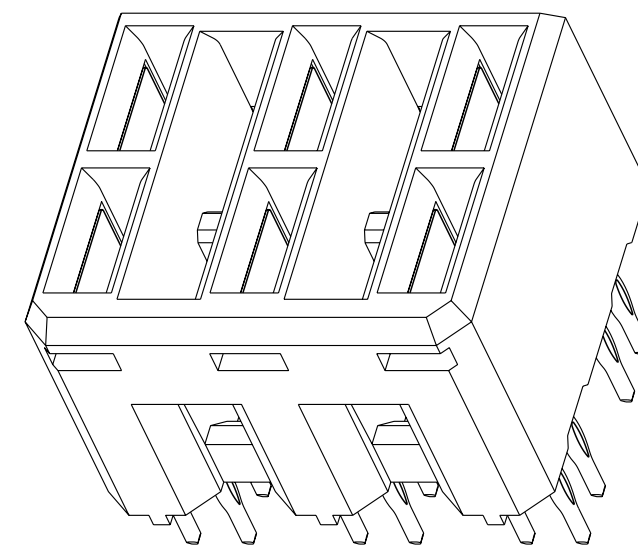
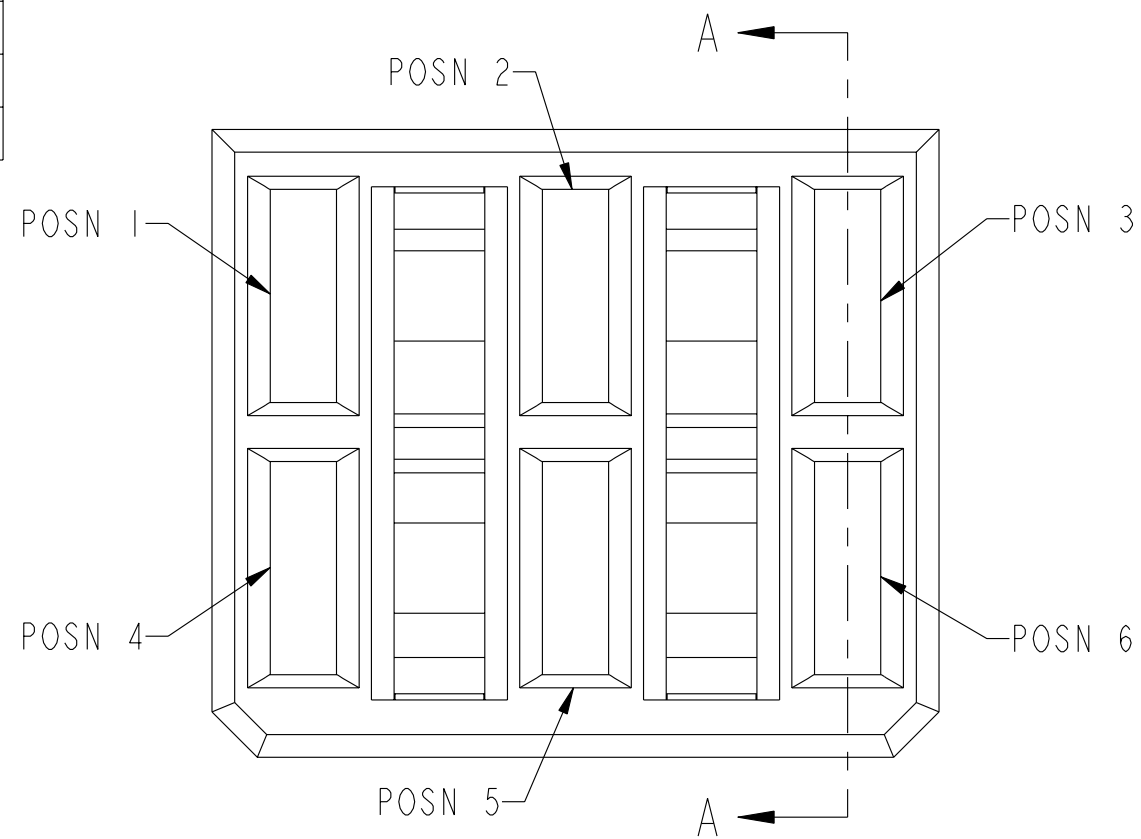


PRODUCT NUMBER	PLATING NOTE	MATING LENGTH, DIM "X"					
		POSN 1	POSN 2	POSN 3	POSN 4	POSN 5	POSN 6
10061290-555444PLF	NOTE 2	2.60	2.60	2.60	1.10	1.10	1.10
10061290-545555PLF	NOTE 2	2.60	1.10	2.60	2.60	2.60	2.60



**CONFIDENTIAL**

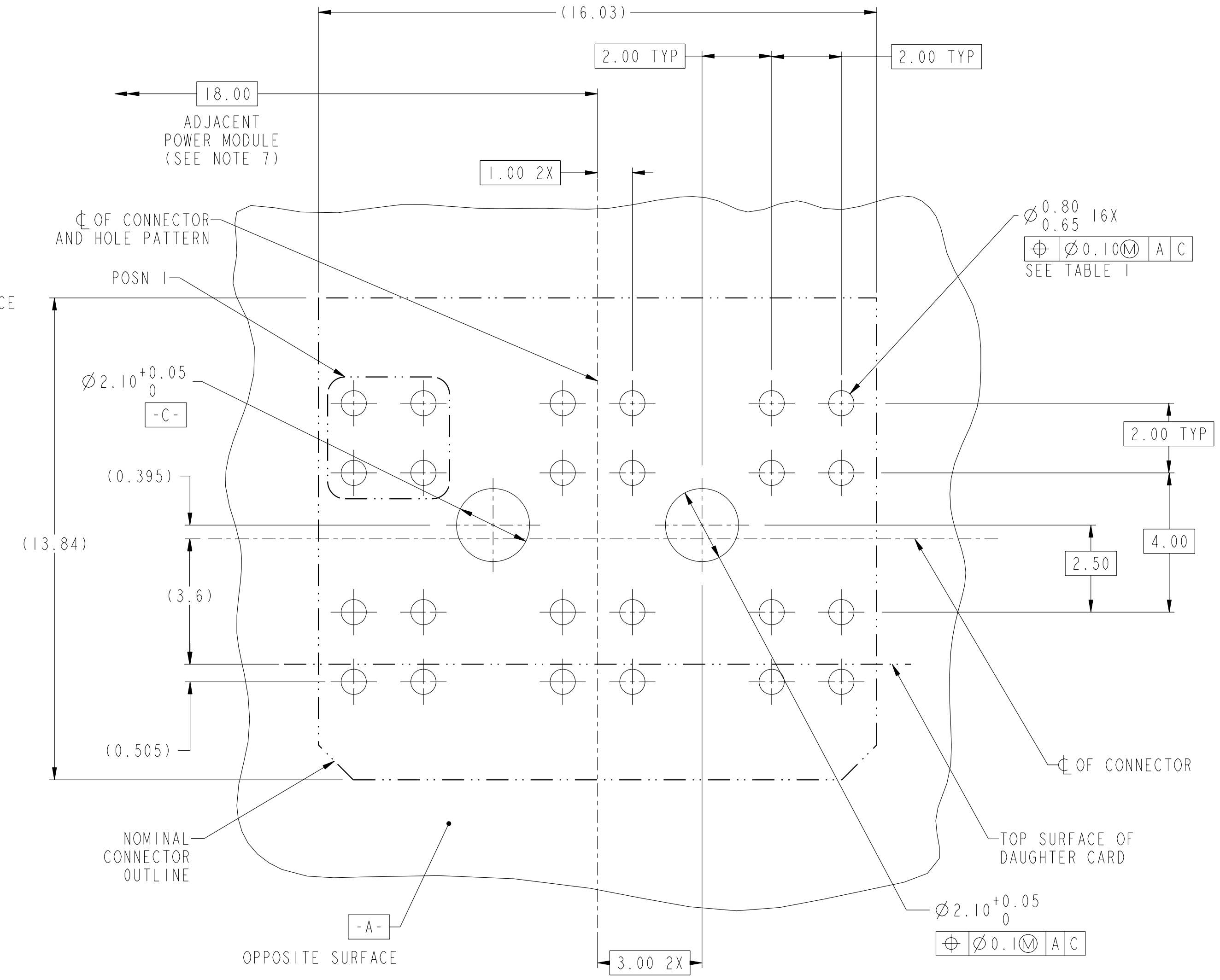
www.fciconnect.com		surface ASME Y14.5	tolerance std ASME Y14.5	projection MM
		TOLERANCES UNLESS OTHERWISE SPECIFIED		
Dr	W. J. SWAIN	2005-11-17	ANGULAR	0.x ±
Eng	C. H. TAN	2006-05-07	LINEAR	0.xx ±
Chr	C. H. TAN	2007-05-28	0° ±°	0.xxx ±
Appr	JOEY NG	2007-05-28	Product family 2mm High Power	
			size	A2
			Scale	1:1
			ECN	--
			Spec ref	GS-12-220
TITLE		RECEPTACLE ASSEMBLY,		Rev.
POWER 2X3		10061290		A
catalog no		CUSTOMER		sheet 1 of 2

rev	ecn no	dr	date
A	S07-0161	CH	2007-05-10
-	-	-	-
-	-	-	-
-	-	-	-
-	-	-	-
-	-	-	-

Copyright FCI.

TOP LAYER DESCRIPTION	TABLE I PLATED THROUGH-HOLE REQUIREMENTS							
	DRILLED HOLE DIAMETER	COPPER THICKNESS	TIN-LEAD THICKNESS	NICKEL THICKNESS	GOLD THICKNESS	TIN THICKNESS	SILVER THICKNESS	FINISHED HOLE DIAMETER
TIN-LEAD	0.81-0.86 (0.85 DRILL)	0.025 - 0.050	0.005 - 0.015	--	--	--	--	0.65 - 0.80
IMMERSION TIN	0.81-0.86 (0.85 DRILL)	0.025 - 0.050	--	--	--	0.9 - 1.5um	--	0.70 - 0.80
IMMERSION SILVER	0.81-0.86 (0.85 DRILL)	0.025 - 0.050	--	--	--	--	0.15 - 0.65um	0.70 - 0.80
COPPER (SEE NOTE 11)	0.81-0.86 (0.85 DRILL)	0.025 - 0.050	--	--	--	--	--	0.70 - 0.80
GOLD	0.81-0.86 (0.85 DRILL)	0.025 - 0.050	--	0.003 - 0.007	FLASH UP TO 0.0002	--	--	0.69 - 0.80

- NOTES:
- CONNECTOR MATERIALS:  
HOUSING: HIGH TEMPERATURE THERMOPLASTIC, BLACK  
UL 94V-0 COMPLIANT  
CONTACT: HIGH PERFORMANCE COPPER ALLOY
  - CONTACT PLATING:  
PRESS-FIT TAIL: 0.5 - 1.5um MATT TIN OVER NICKEL.  
  
SEPARABLE INTERFACE: PERFORMANCE-BASED PLATING, QUALIFIED TO MEET THE REQUIREMENT OF FCI PRODUCT SPECIFICATION GS-12-220, INCLUDING TELCORDIA GR-1217-CORE (NOVEMBER 1995) CENTRAL OFFICE
  - PRODUCT SPECIFICATION: GS-12-220
  - APPLICATION SPECIFICATION: GS-20-023
  - PRODUCT MARKING (PRODUCT NUMBER & LOT CODE) ON HOUSING IN AREA SHOWN, EITHER SIDE.
  - MINIMUM NOMINAL BOARD THICKNESS: 2.4mm
  - REFER TO CUSTOMER DRAWING 10035911 FOR INFORMATION REGARDING PCB LAYOUT OF POWER AND GUIDE MODULES RELATIVE TO AIRMAX SIGNAL MODULES.
  - PRODUCT MEETS EUROPEAN UNION DIRECTIVES AND OTHER COUNTRY REGULATIONS AS DESCRIBED IN FCI SPECIFICATION GS-22-008.
  - PACKAGING MEETS FCI SPECIFICATION GS-14-920
  - HOUSING COMPONENT WILL WITHSTAND EXPOSURE TO 260° PEAK TEMPERATURE FOR 60 SECONDS IN A CONVECTION, INFRA-RED OR VAPOR-PHASE REFLOW OVEN.
  - COPPER PLATING THICKNESS AT CENTER OF VIA HOLE CAN BE NO MORE THAN 0.003 LESS THAN OTHER AREAS.



RECOMMENDED PCB LAYOUT  
COMPONENT SIDE  
SEE NOTE 6  
SCALE 10:1

FCJ	TITLE	RECEPTACLE ASSEMBLY, POWER 2X3	dwg no	10061290	Rev.	A
	CATALOG NO		CUSTOMER	sheet 2 of 2		

Copyright FCI.  
FCJ