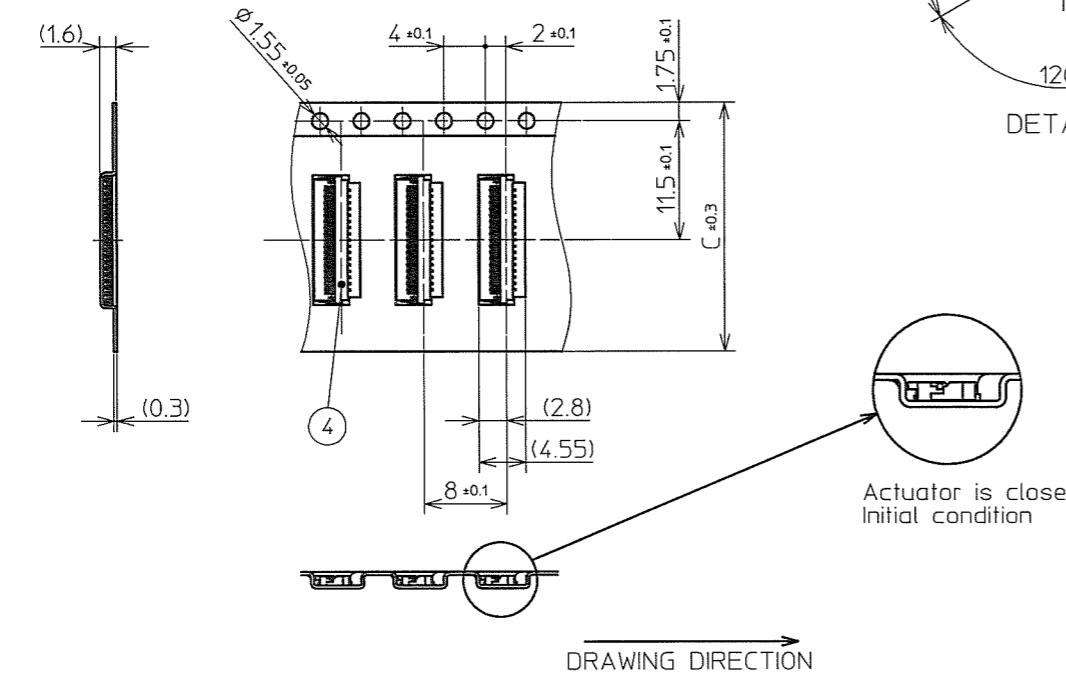
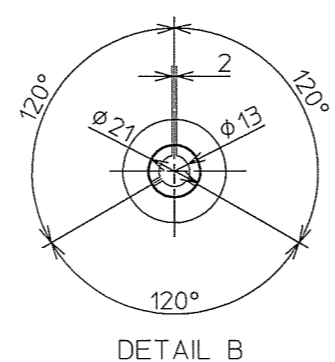
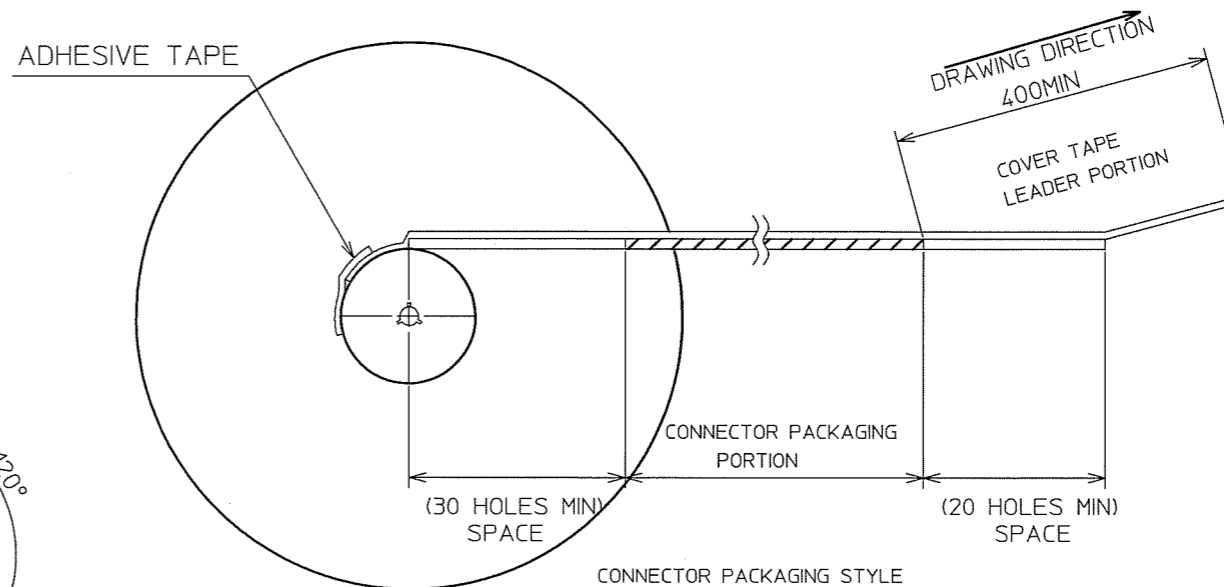
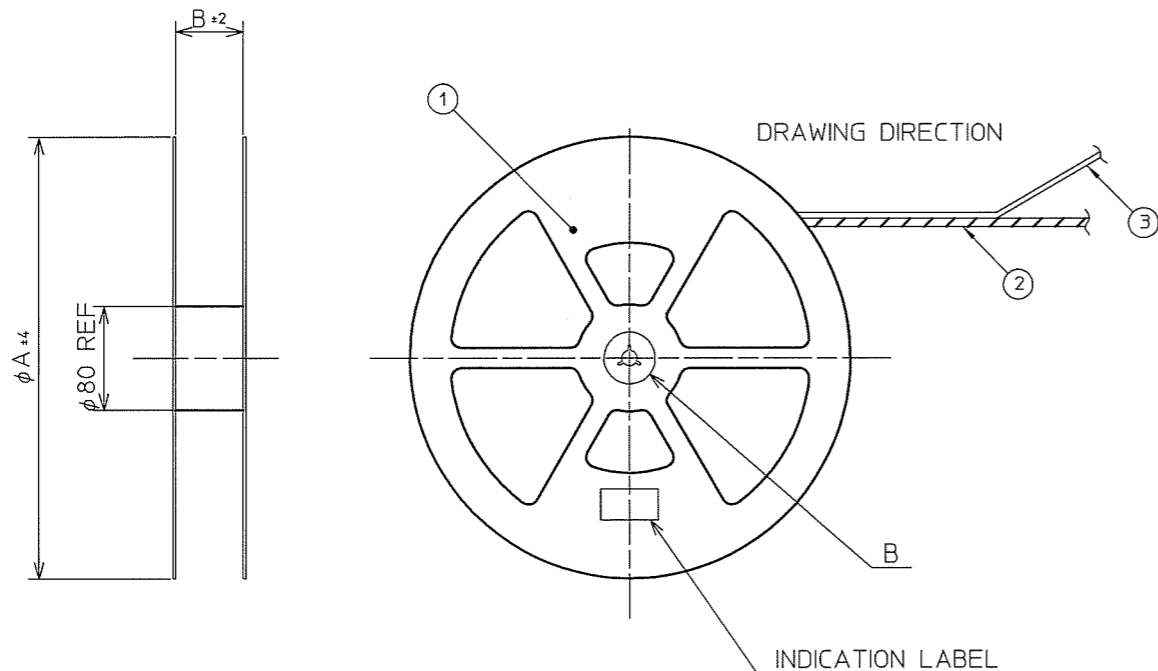


PRODUCT NO

10061122-**-**1*10ELF

EMBOSS TAPE	DIMENSIONS		
	φ A	B	C
10061122-151*10ELF ~ 451*10ELF	φ330	25.5	24

PT.NO.	PARTS NAME	PRODUCT NO.	MATERIAL	Q'TY	NOTE
1	REEL		POLYSTYRENE	1	COLOR:WHITE.ELECTRIFICATION PREVENTION PROCESSING
2	EMBOSS TAPE		PP OR PET	1	ELECTRIFICATION PREVENTION PROCESSING
3	COVER TAPE		POLYESTER		
4	CONNECTOR	10061122 -**-**1*1LF	10061122 SHEET2 SHEET3	5000	



NOTE
1.THIS ARTICLE CARRIES OUT THE EMBOSS TAPE PACKAGE OF THE P/N10061122 SERIES CONNECTOR
2.THE SHAPE AND DIMENSION OF THIS ARTICLE ARE BASED ON JIS C 0806 (TAPING OF ELECTRONIC PARTS(SURFACE MOUNTED DEVICE))

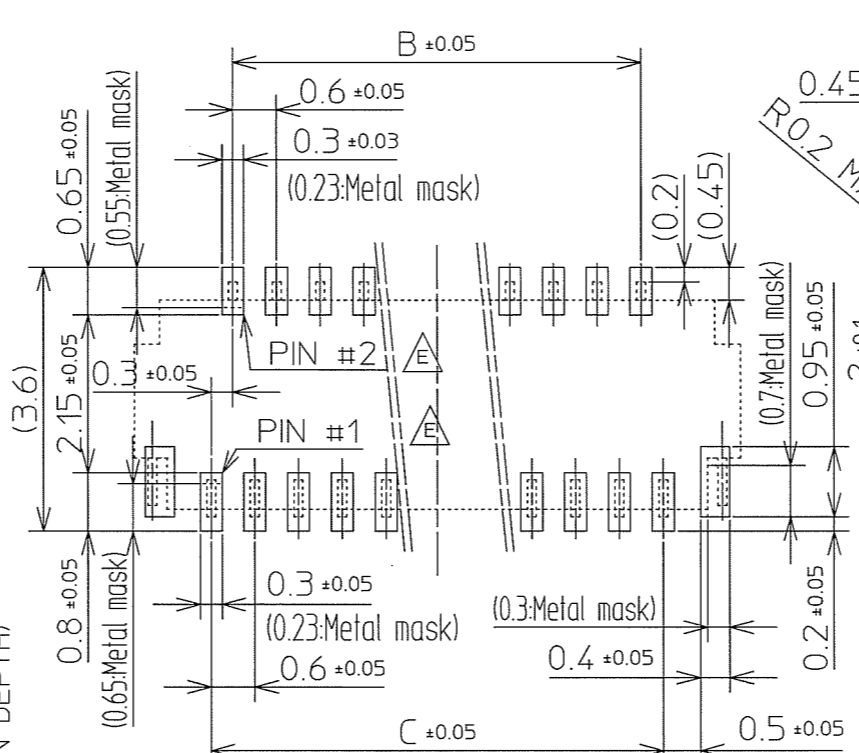
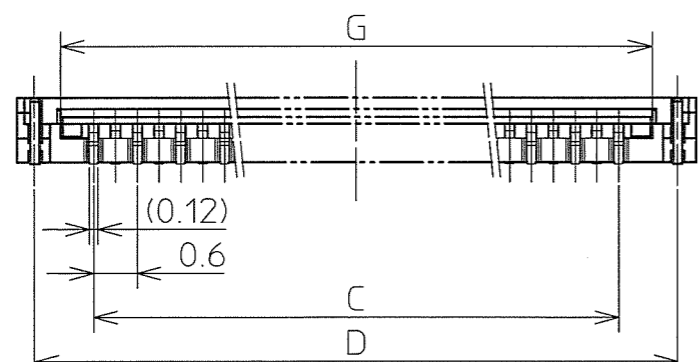
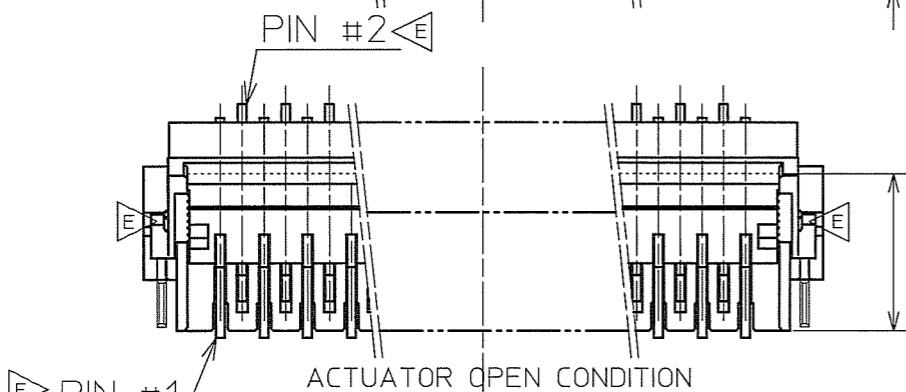
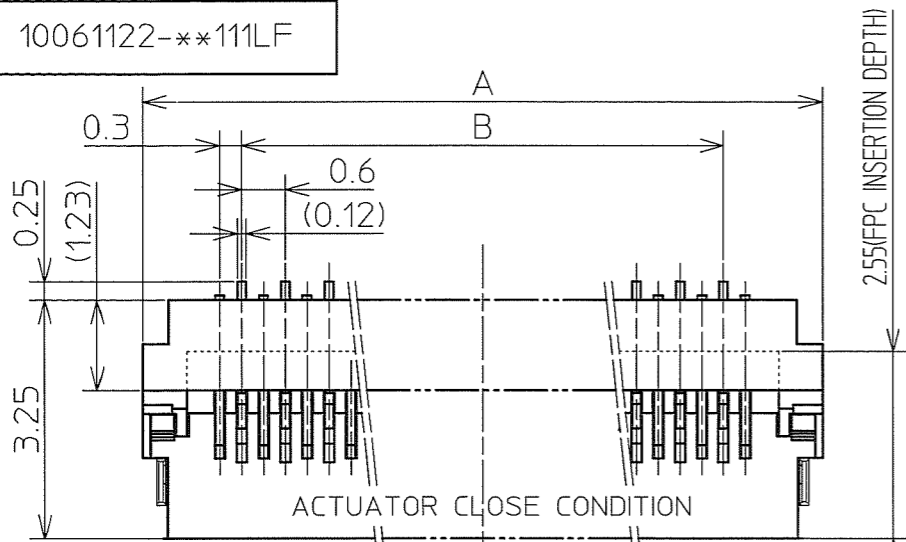
P/N COMPOSITION
10061122-**-**1*10ELF

- LEAD FREE
- PACKAGING FORM (E:PLASTIC REEL/EMBOSS TAPE PACKAGE)
- EMBOSSING TAPE PACKAGE 0: 8mm PITCH
1:12mm PITCH
- PLATING SPEC 1:Au PLATING
- MOUNTING 1:SMT/WITH CABLE LOCK
2:SMT/WITHOUT CABLE LOCK
- CONTACT SIDE 1:DOWN SIDE
- NO OF POSITION
- SERIES NAME

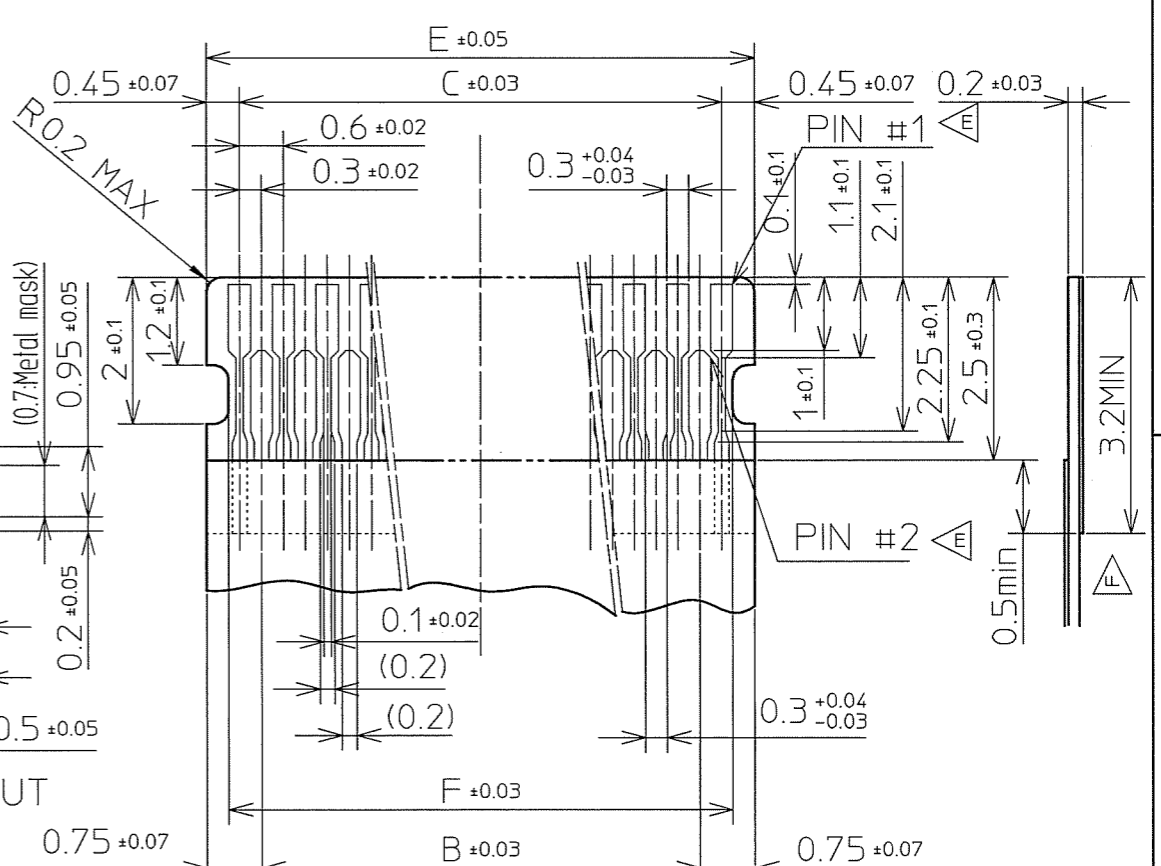
mat'l. code		surface	tolerance	projection	product family	CODE
		ISO 1302	ISO 406 ISO 1101			JP
lfr	description	ecn no	dr	date	title	
G	REVISED	J07-0399	K.O	28/Sep/07	0.3mm PITCH FPC CONNECTOR	
F	REVISED	J07-0130	K.O	23/Feb/07	DOWN CONTACT TYPE ET PACKAGING	
E	REVISED	J06-0483	K.O	17/Nov/06	scale	
D	REVISED	J06-0384	K.O	14/Sep/06	dwg no	
C	REVISED	J06-0328	K.O	8/Aug/06	sheet of	
B	REVISED	J06-0276	K.O	6/Jul/06	size	
A	RELEASED	J06-0216	K.O	26/May/06	10061122 10F3 A2	
sheet	revision	G	G	A	type Product Customer Drawing	
index	sheet	1	2	3	Rev. G	

PRODUCT NO.

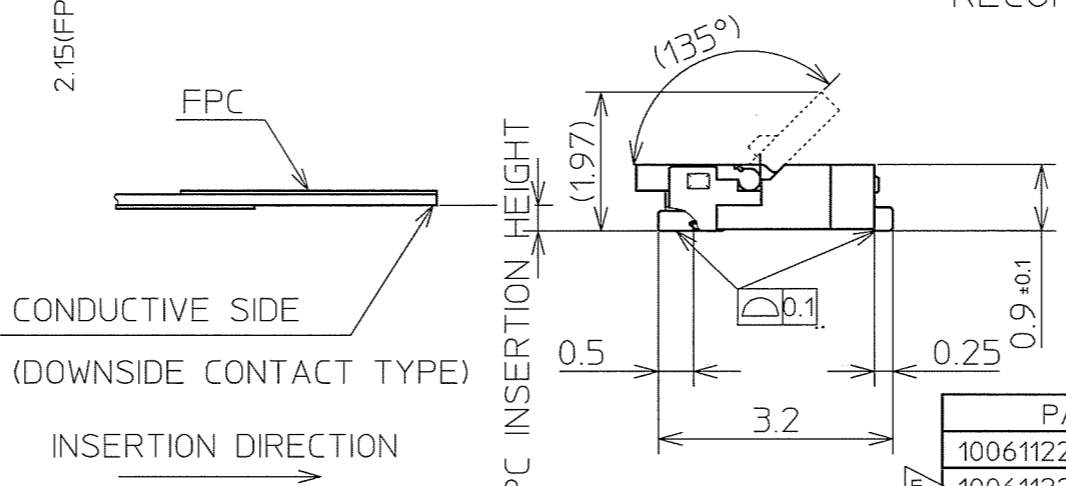
10061122-**-111LF



RECOMMENDED PCB BOARD LAYOUT



RECOMMENDED FPC CONFIGURATION



- NOTE
- MATERIAL
 - HOUSING: THERMOPLASTIC RESIN, UL94V-0, NATURAL
 - ACTUATOR: THERMOPLASTIC RESIN, UL94V-0, BLACK
 - CONTACT: COPPER ALLOY
 - FIXING TAB: COPPER ALLOY
 - FINISH
 - CONTACT: ALL OVER Ni (CONTACT AREA) Au (SOLDER TAIL AREA) Au
 - FIXING TAB: ALL OVER Ni Sn PLATING
 - CO-PLANARITY: 0.1 MAX
 - THICKNESS OF A METAL MASK: 0.1mm
 - FPC

ADHESIVE METHOD OF SUPPORTING TAP SHALL BE HEAT CRIMPING METHOD AND THERMOSETTING ADHESIVE MATERIAL SHALL BE USED.

6. PRODUCT
RECOMMENDED PCB LAYOUT AND FPC AREA THE SAME AS 10064555-**-2110ELF(YLL-UPPER CONTACT TYPE)

7. OTHER
THIS PRODUCT MEETS EUROPEAN UNION DIRECTIVES AND OTHER COUNTRY REGULATIONS AS DESCRIBED IN GS-22-008

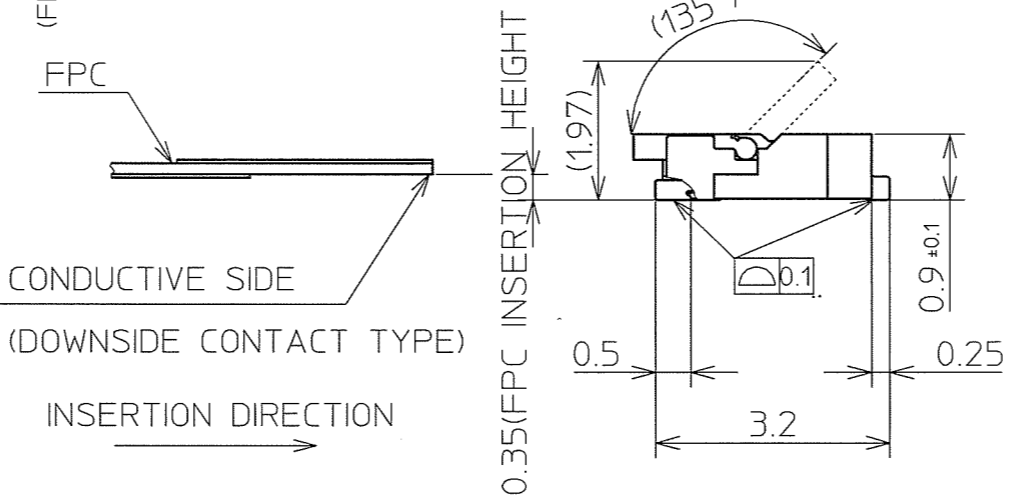
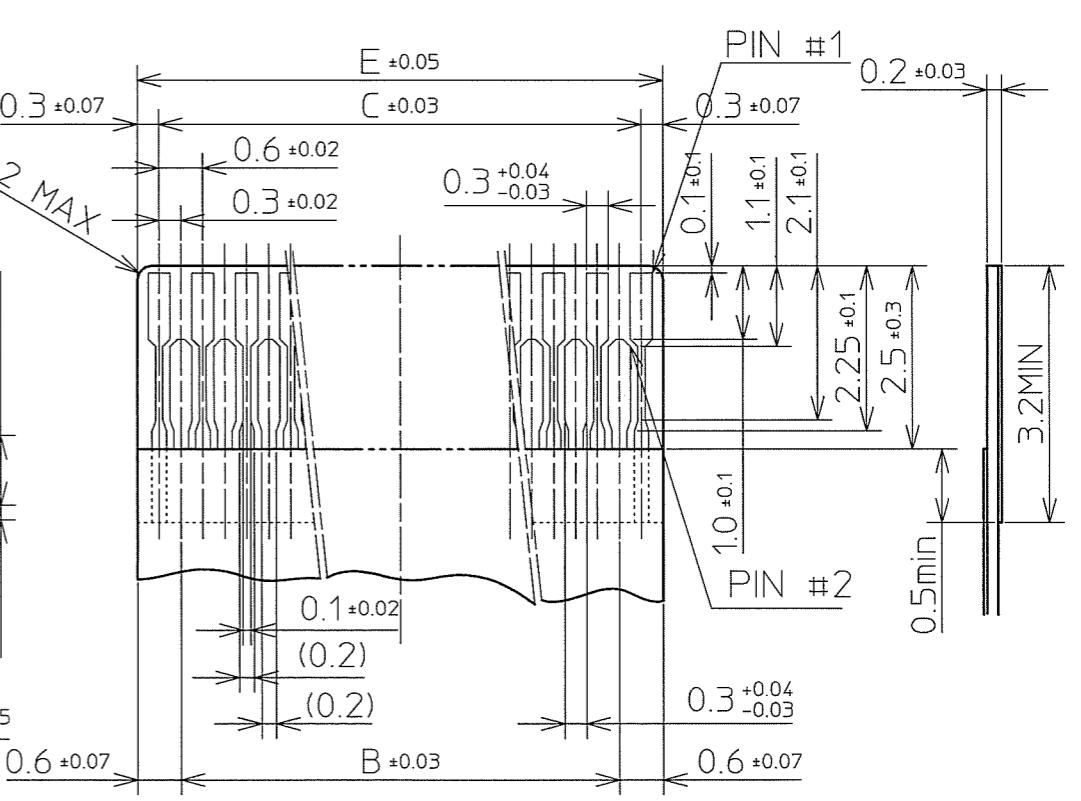
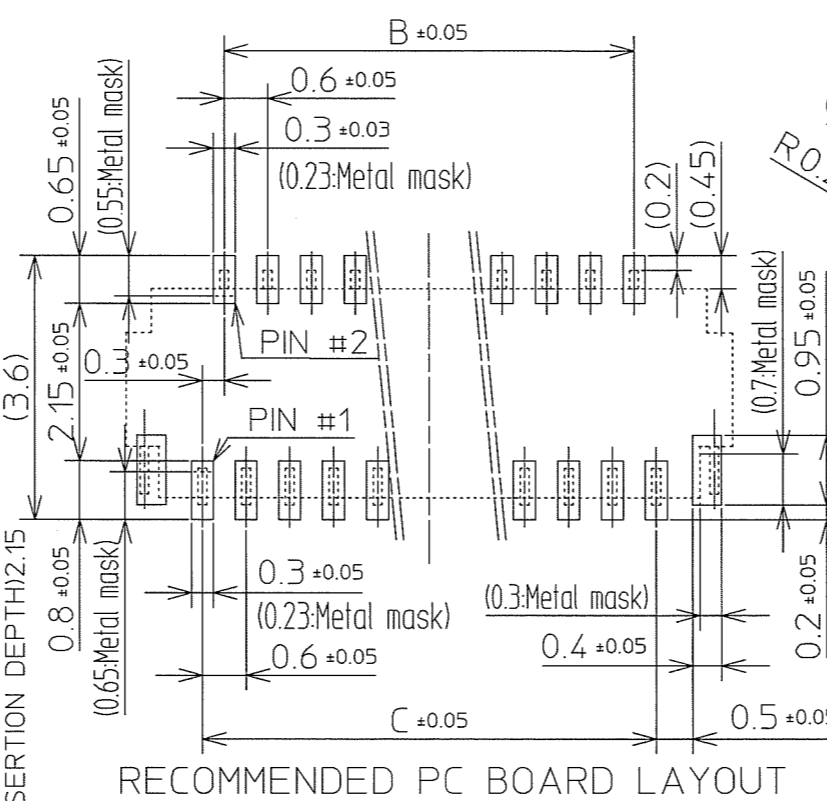
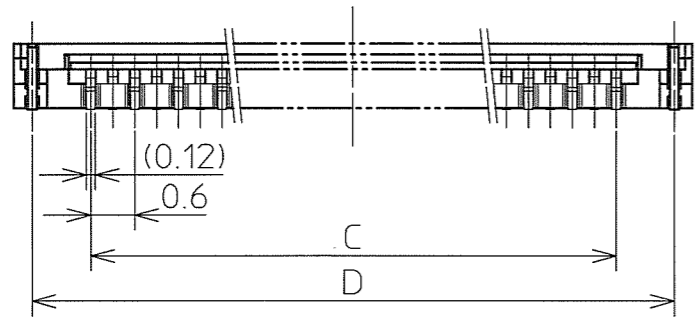
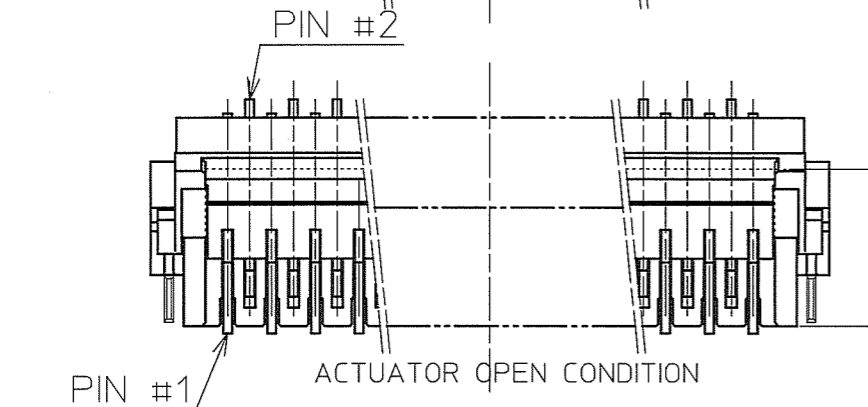
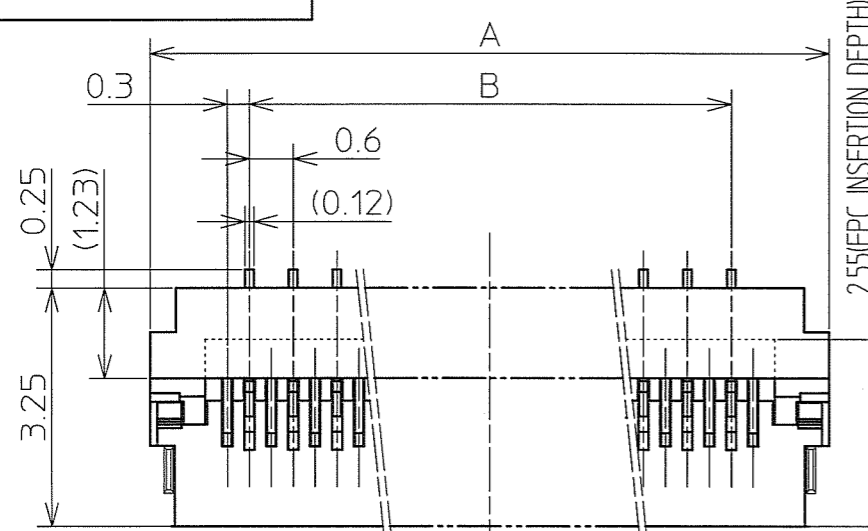
P/N	A	B	C	D	E	F	G
10061122-2111LF	8.1	5.4	6.0	7.6	6.9	6.3	6.93
10061122-2511LF	9.3	6.6	7.2	8.8	8.1	7.5	8.13
10061122-3311LF	11.7	9.0	9.6	11.2	10.5	9.9	10.53
10061122-3511LF	12.3	9.6	10.2	11.8	11.1	10.5	11.13
10061122-3911LF	13.5	10.8	11.4	13.0	12.3	11.7	12.33
10061122-4111LF	14.1	11.4	12.0	13.6	12.9	12.3	12.93

mat'l. code				surface ISO 1302 ✓		tolerance ISO 406 ISO 1101		projection		product family		CODE JP	
tolerances unless otherwise specified				angles linear		±0.2		scale		title			
G REVISED J07-0399 K.O 28/Sep/07				F REVISED J07-0130 K.O 23/Feb/07		E REVISED J06-0483 K.O 17/Nov/06		D REVISED J06-0384 K.O 14/Sep/06		0.3mm PITCH FPC CONNECTOR DOWN CONTACT TYPE			
C REVISED J06-0328 K.O 8/Aug/06				B REVISED J06-0276 K.O 6/Jul/06		A RELEASED J06-0216 K.O 26/May/06		K. OKANO 28/Sep/07		dwg no 10061122		sheet of 2 of 3	
sheet index				revision sheet		chr Y. Kanda 2007-9-27		appd M. K. 9/27/07		type Product Customer		Drawing Rev. G	



Copyright FCI

10061122-**-121LF



NOTE
 1.MATERIAL
 1)HOUSING:THERMOPLASTIC RESIN,UL94V-0,NATURAL
 2)ACTUATOR:THERMOPLASTIC RESIN,UL94V-0,BLACK
 3)CONTACT:COPPER ALLOY
 4)FIXING TAB:COPPER ALLOY
 2.FINISH
 1)CONTACT:ALL OVER Ni
 (CONTACT AREA)Au
 (SOLDER TAIL AREA)Au
 2)FIXING TAB:ALL OVER Ni
 Sn PLATING
 3.CO-PLANARITY:0.1MAX
 4.THICKNESS OF A METAL MASK:0.1mm
 5.FPC
 ADHESIVE METHOD OF SUPPORTING TAP SHALL BE HEAT CRIMPING
 METHOD AND THERMOSETTING ADHESIVE MATERIAL SHALL BE USED.
 6.PRODUCT
 RECOMMENDED PCB LAYOUT AND FPC AREA THE SAME AS 10064555-**-2210ELF(YLL-UPPER CONTACT TYPE)
 7.OTHER
 THIS PRODUCT MEETS EUROPEAN UNION DIRECTIVES AND OTHER
 COUNTRY REGULATIONSAS DESCRIBED IN GS-22-008

P/N	A	B	C	D	E
10061122-15121LF	6.3	3.6	4.2	5.8	4.8
10061122-33121LF	11.7	9.0	9.6	11.2	10.2
10061122-35121LF	12.3	9.6	10.2	11.8	10.8
10061122-37121LF	12.9	10.2	10.8	12.4	11.4
10061122-39121LF	13.5	10.8	11.4	13.0	12.0
10061122-41121LF	14.1	11.4	12.0	13.6	12.6

mat'l. code				surface ISO 1302 ✓	tolerance ISO 406 ISO 1101	projection ☉	product family	CODE JP
lir	description	ecn no	dr	date	tolerances unless otherwise specified		title 0.3mm PITCH FPC CONNECTOR DOWN CONTACT TYPE	dwg no 10061122
					angles	linear		
							scale	size A3
					dr		FCJ	type Product Customer Drawing
					enfr	K.OKANO 28/Sep/07		
					chr	Y. Kamada 2007-9-28		
					appd	M. Ohta 9/28/07		
A	RELEASED	J07-0399	K.O	28/Sep/07				Rev. A
sheet index	revision sheet							



FCJconnect.com

Copyright FCI