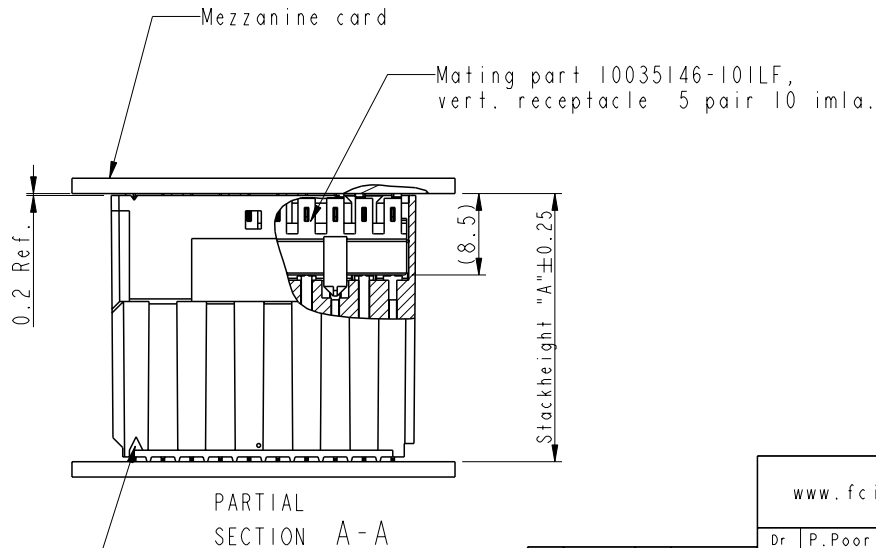
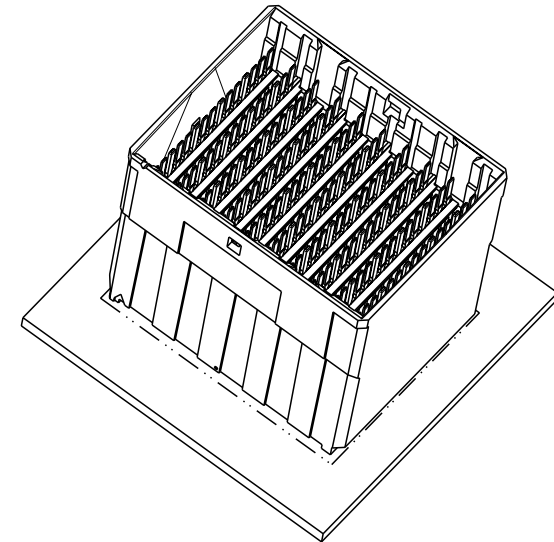
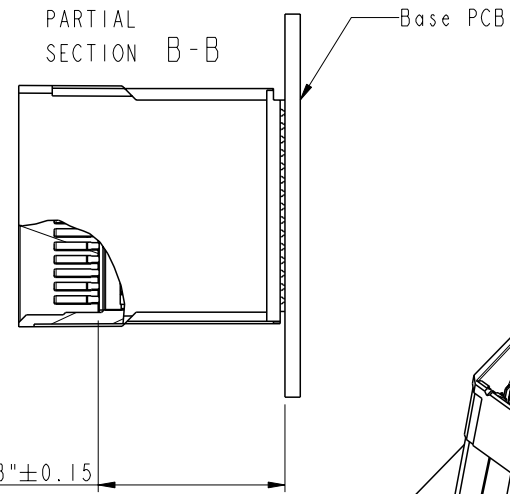
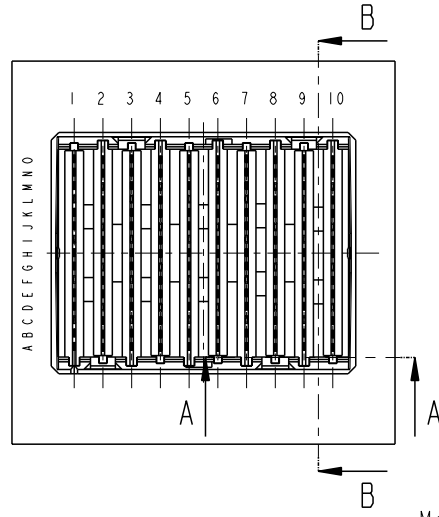


PART NUMBER:
SEE TABLE SHEET 2



External reference for pin A1



Copyright FCI.

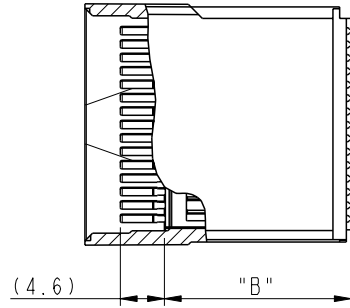
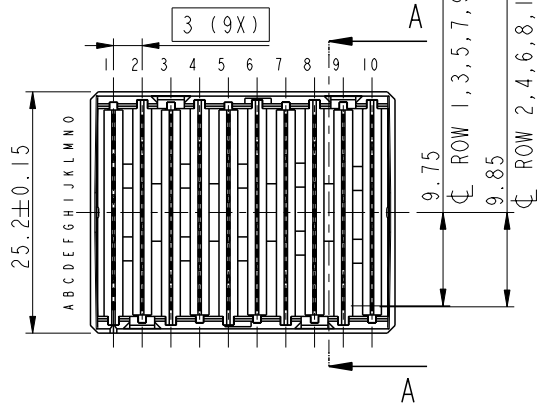
rev	ecn no	dr	date
A	H07-0059	PEP	070323
B	H07-0068	PEP	070410
C	H07-0079	PEP	070521
-	-	-	-
-	-	-	-
-	-	-	-
-	-	-	-

www.fciconnect.com		surface - ✓	tolerance std ISO 406 ISO 1101	projection	MM		
		TOLERANCES UNLESS OTHERWISE SPECIFIED			Scale 2:1		
Dr	P.Poorter	060928	ANGULAR			0.X	±
Eng	R.Weber	050401	LINEAR			0.XX	±
Chr	P.Potters	070323	0° ±	0.XXX	±		
Appr	P.Potters	070323	Product family		AirMax		
		Product family		AirMax	Spec ref		
		title VHDR 5P, 10 IMLA, 3mm		dwg no	10059957		
		AirMax VS Mezzanine		Rev.	C		
catalog no		-		customer copy	sheet 1 of 4		

REV F - 2006-04-17

PART NUMBER:
SEE TABLE

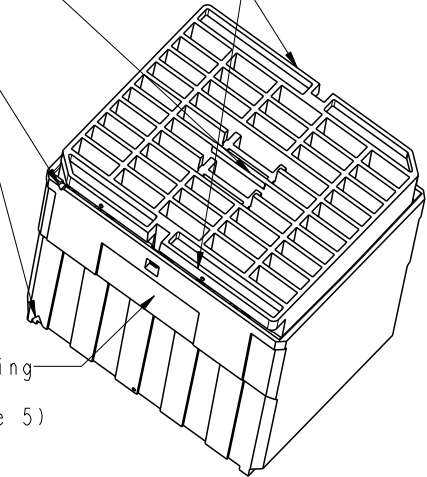
Views without protection cover



Triangle indicates position A1. See note 10

See note 11

See note 12.

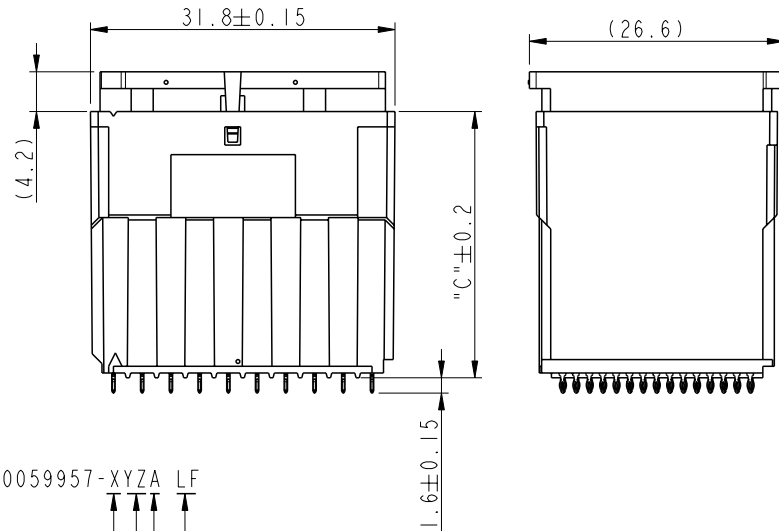


PARTIAL SECTION A-A

P/N Marking Area (See note 5)

** NOT ALL STACK HEIGHT HAVE BEEN TOOLED UP. FOR PRODUCT AVAILABILITY, PLEASE CHECK FCI WEBSITE.

PRODUCT P/N **	SYSTEM STACK HEIGHT "A"	MATING LEVEL "B"	CONNECTOR HEIGHT "C"
10059957-1011(LF)	14	5.5	13.8
10059957-1021(LF)	16	7.5	15.8
10059957-1031(LF)	18	9.5	17.8
10059957-1041(LF)	20	11.5	19.8
10059957-1051(LF)	22	13.5	21.8
10059957-1061(LF)	24	14.5	23.8
10059957-1071(LF)	26	17.5	25.8
10059957-1081(LF)	28	19.5	27.8
10059957-1091(LF)	30	21.5	29.8
10059957-1101(LF)	25	16.5	24.8



P/N: 10059957-XYZA LF

- LF: Lead free product (see note 7)
- Protection cover, 0 = not present; 1 = present
- Stack height, see table
- Plating: 1=Telcordia CO 4 GAS, see note 2.

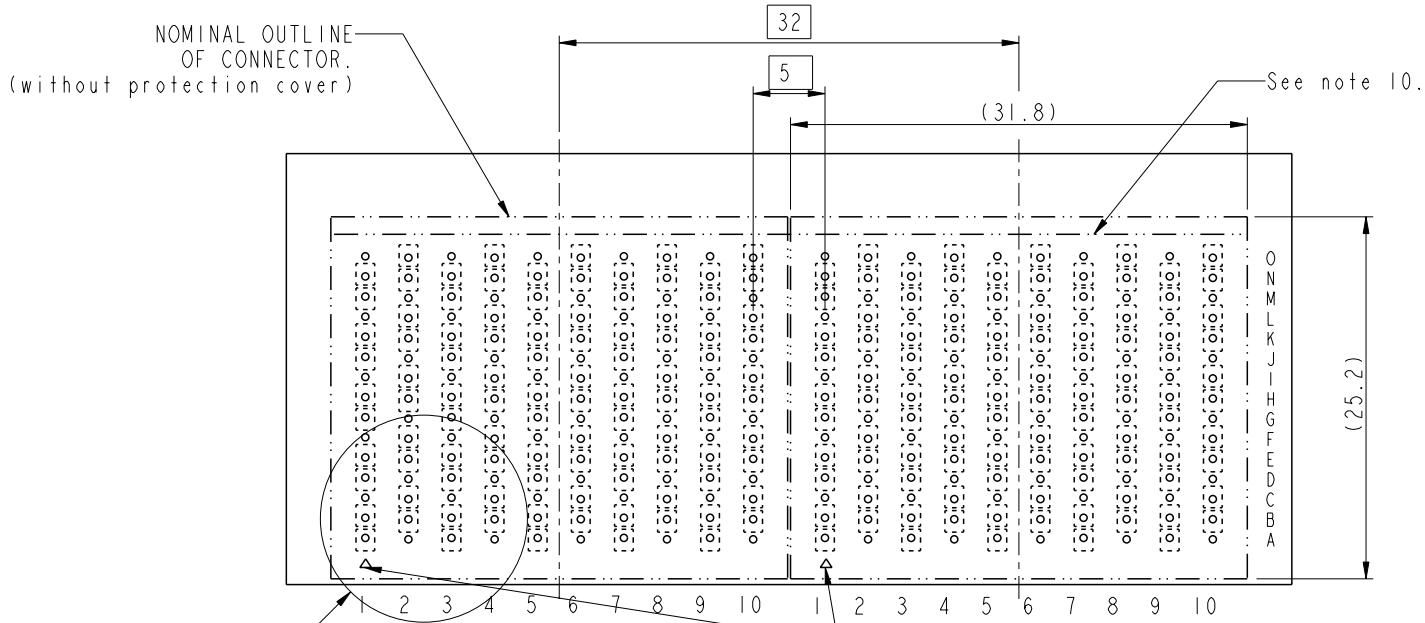
www.fciconnect.com			surface - ✓	tolerance std ISO 406 ISO 1101	projection	MM
			TOLERANCES UNLESS OTHERWISE SPECIFIED			Scale 1:1
Dr	P.Poorter	060928	ANGULAR	0.X	±	size A3
Eng	R.Weber	050401	LINEAR	0.XX	±	
Chr	P.Potters	070323	0° ±	0.XXX	±	
Appr	P.Potters	070323	Product family		AirMax	Spec ref
			VHDR 5P, 10 IMLA ,3mm		10059957	Rev. C
AirMax VS Mezzanine			catalog no		customer copy	sheet 2 of 4



Copyright FCI.

REV F - 2006-04-17

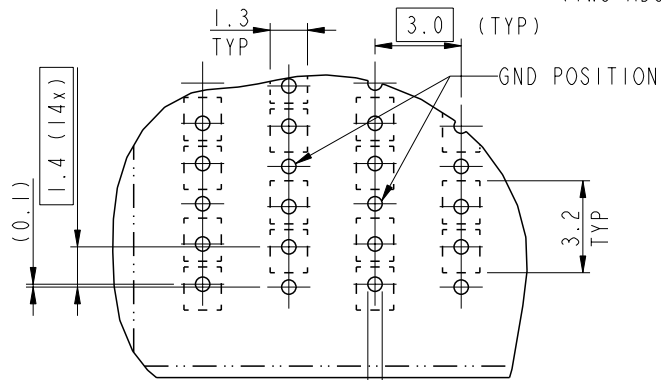
NOMINAL OUTLINE
OF CONNECTOR.
(without protection cover)



SEE DETAIL B

Triangle indicates position A1.

RECOMMENDED PCB LAYOUT
FOR DIFFERENTIAL APPLICATIONS
COMPONENT SIDE
(TWO ADJACENT FOOTPRINTS SHOWN)



DETAIL B
SCALE 6:1

SEE NOTE 6

\varnothing 0.10

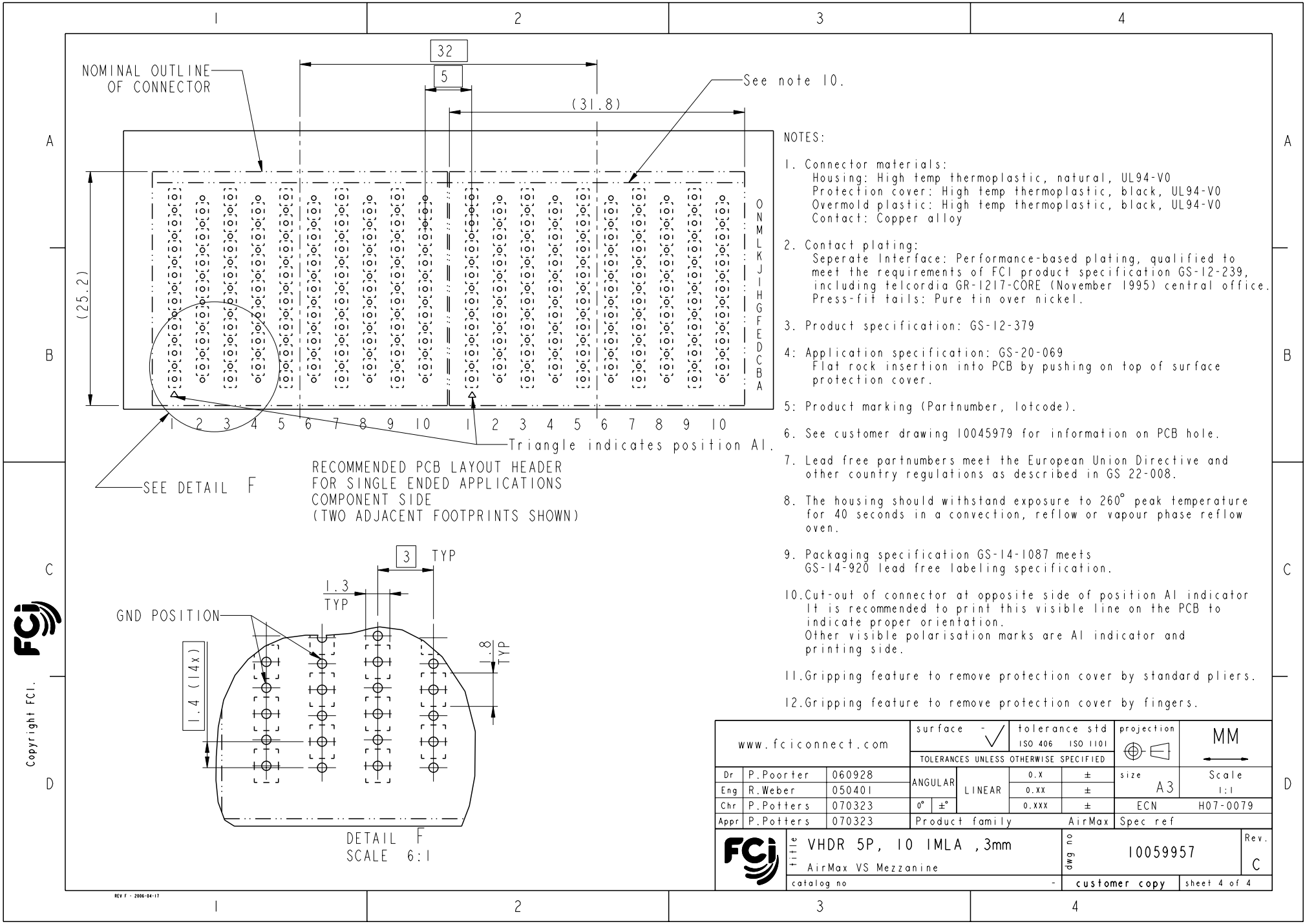
ALL HOLES



Copyright FCI.

www.fciconnect.com		surface - <input checked="" type="checkbox"/>	tolerance std ISO 406 ISO 1101	projection 	MM
TOLERANCES UNLESS OTHERWISE SPECIFIED					
Dr	P. Poorter	060928	ANGULAR	0.x ±	size A3 Scale 1:1
Eng	R. Weber	050401	LINEAR	0.xx ±	
Chr	P. Potters	070323	0° ±°	0.xxx ±	ECN H07-0079
Appr	P. Potters	070323	Product family	AirMax	Spec ref
			title VHDR 5P, 10 IMLA , 3mm AirMax VS Mezzanine		dwg no 10059957 Rev. C
catalog no			customer copy		sheet 3 of 4

REV F - 2006-04-17



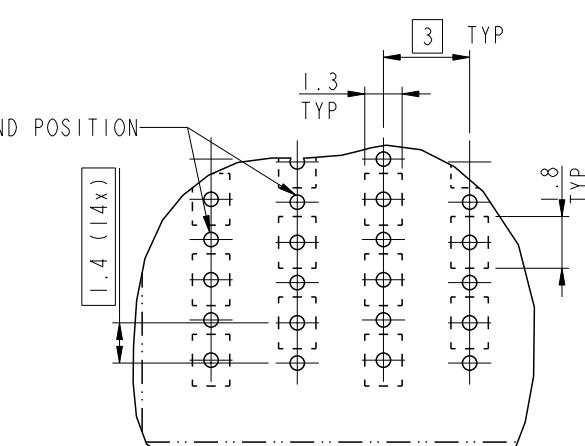
NOMINAL OUTLINE OF CONNECTOR

See note 10.

NOTES:

- Connector materials:
Housing: High temp thermoplastic, natural, UL94-V0
Protection cover: High temp thermoplastic, black, UL94-V0
Overmold plastic: High temp thermoplastic, black, UL94-V0
Contact: Copper alloy
- Contact plating:
Separate Interface: Performance-based plating, qualified to meet the requirements of FCI product specification GS-12-239, including telcordia GR-1217-CORE (November 1995) central office.
Press-fit tails: Pure tin over nickel.
- Product specification: GS-12-379
- Application specification: GS-20-069
Flat rock insertion into PCB by pushing on top of surface protection cover.
- Product marking (Partnumber, lotcode).
- See customer drawing 10045979 for information on PCB hole.
- Lead free partnumbers meet the European Union Directive and other country regulations as described in GS 22-008.
- The housing should withstand exposure to 260° peak temperature for 40 seconds in a convection, reflow or vapour phase reflow oven.
- Packaging specification GS-14-1087 meets GS-14-920 lead free labeling specification.
- Cut-out of connector at opposite side of position AI indicator. It is recommended to print this visible line on the PCB to indicate proper orientation. Other visible polarisation marks are AI indicator and printing side.
- Gripping feature to remove protection cover by standard pliers.
- Gripping feature to remove protection cover by fingers.

RECOMMENDED PCB LAYOUT HEADER FOR SINGLE ENDED APPLICATIONS COMPONENT SIDE (TWO ADJACENT FOOTPRINTS SHOWN)



DETAIL F SCALE 6:1

www.fciconnect.com			surface - ✓	tolerance std ISO 406 ISO 1101	projection	MM
			TOLERANCES UNLESS OTHERWISE SPECIFIED			
Dr	P.Poorter	060928	ANGULAR	0.x ±	size A3	Scale 1:1
Eng	R.Weber	050401	LINEAR	0.xx ±		
Chr	P.Potters	070323	0° ±"	0.xxx ±	ECN H07-0079	
Appr	P.Potters	070323	Product family	AirMax	Spec ref	
			VHDR 5P, 10 IMLA, 3mm		dlg no 10059957	Rev. C
			AirMax VS Mezzanine		customer copy	sheet 4 of 4
			catalog no			

Copyright FCI.

REV F - 2006-04-17