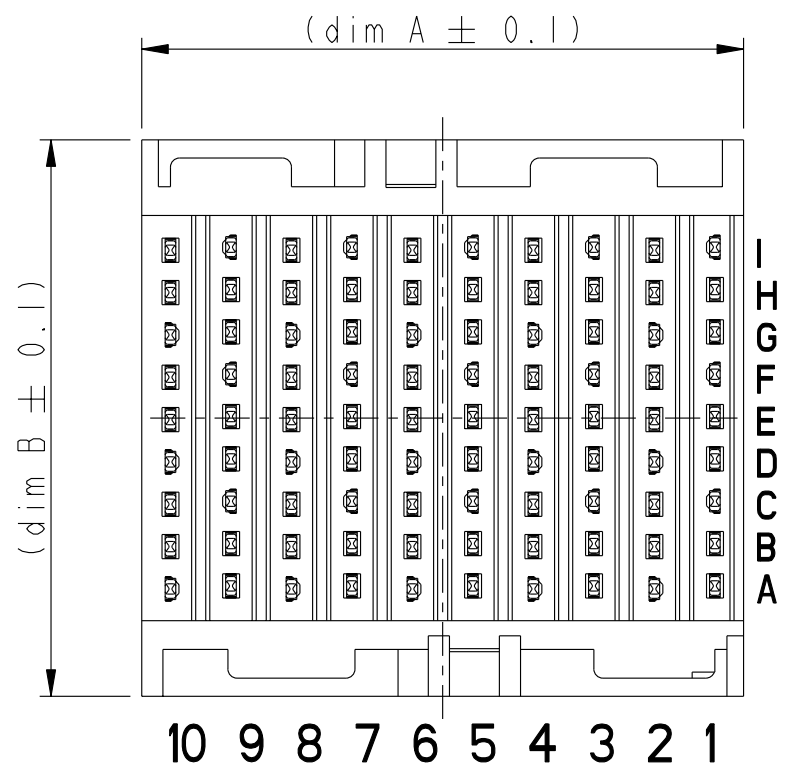
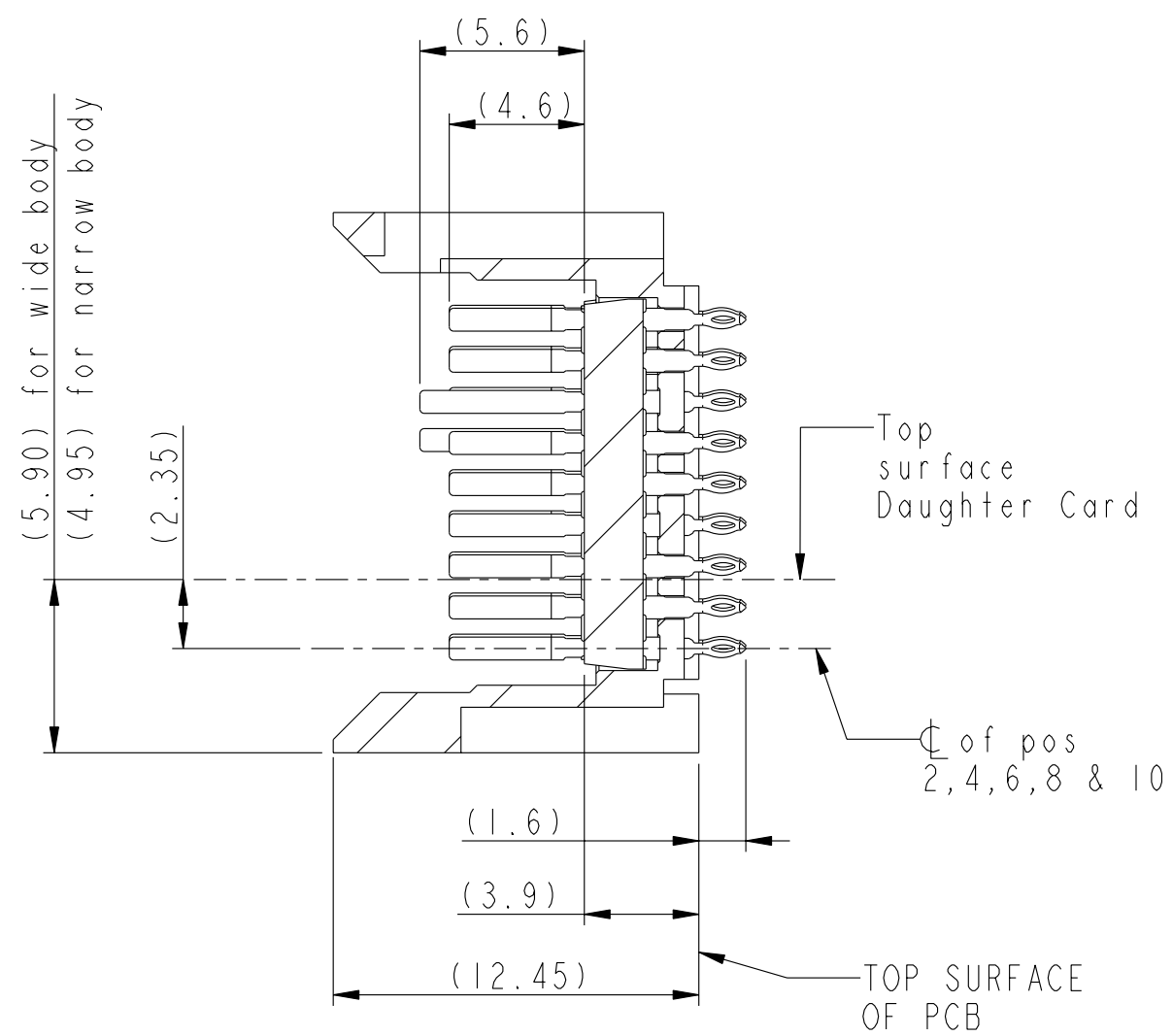
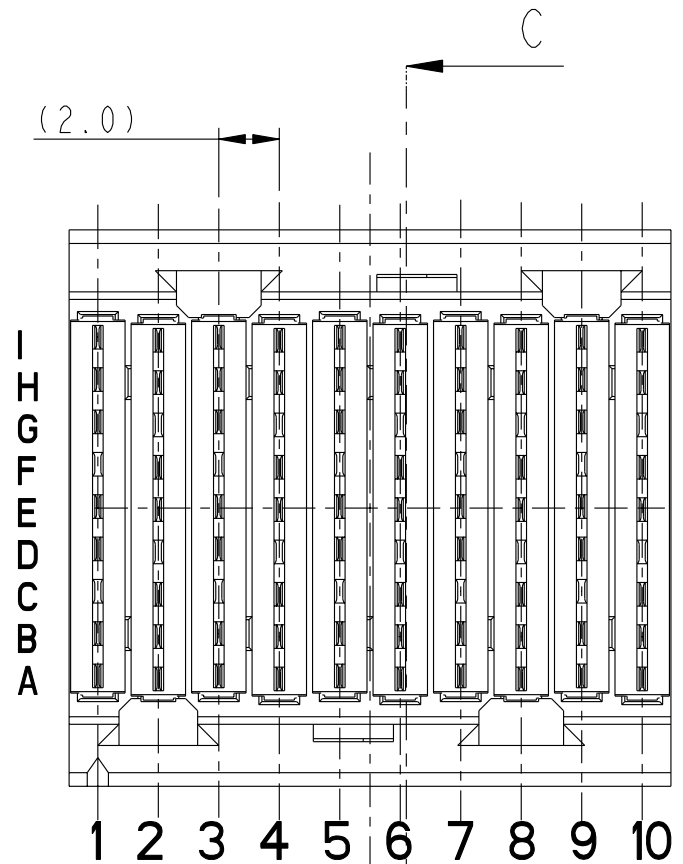


VIEWS WITHOUT PROTECTION COVER



For housing types and dim A and B see sheet 4

Partnumber:
10056103-IYZABC1 LF

X = PLATING
I=TELCORDIA CO GAS (see note 2 sheet 5)

YZ = HOUSING TYPE
01 = 2 wall narrow body
04 = 4 wall narrow body
05 = 2 wall wide body (STANDARD VISION)
08 = 4 wall wide body

ABC = PIN LAYOUT
001 = standard layout (no detect pin)
xxx = other versions see sheet 2

LF = Lead Free
LF = Lead free product (see note 8 sheet 5)
no suffix = Non lead free: available upon special request

2 WALL WIDE BODY VISION AS SHOWN

www.fciconnect.com		surface - ✓ ISO 1302	tolerance std ISO 406 ISO 1101	projection mm
TOLERANCES UNLESS OTHERWISE SPECIFIED				
Dr	L. Lange	2005-05-13	ANGULAR	0.X ±
Eng	L. Lange	2005-15-13	LINEAR	0.XX ±
Chr	M. Cheong	2007-04-23	0° ±°	0.XXX ±
Appr	Joey Ng	2007-04-23	Product family	AirMax VS
			size	A3
			Scale	2:1
			ECN	S07-0129
			Spec ref	CONCEPT
Title		AirMax VS VERTICAL HEADER		Rev.
3 Pair, 90 pos, 2mm, 10 IMLA		dwg no		10056103
A		CUSTOMER		sheet 1 of 5

rev	ecn no	dr	date
A	S07-0129	MCH	2007-04-23
-	-	-	-
-	-	-	-
-	-	-	-
-	-	-	-
-	-	-	-



Copyright FCI.

1

2

3

4

* Detection pin of 3.9mm possible on standard positions H5.
 For other detection pin and options please consult FCI.

Partnumber \ Pin layout	5.6mm Longpins (typ gnd)	3.9mm * Short pin (typ detect)	4.6mm Otherpins (typ sign)
10056103-IYZ0011(LF)	F1,F3,F5,F7,F9 G2,G4,G6,G8,G10	-	all other positions
10056103-IYZ0031(LF)	F1,F3,F5,F7,F9 G2,G4,G6,G8,G10	H5	all other positions

A

A

B

B

C

C

D

D



Copyright FCI.

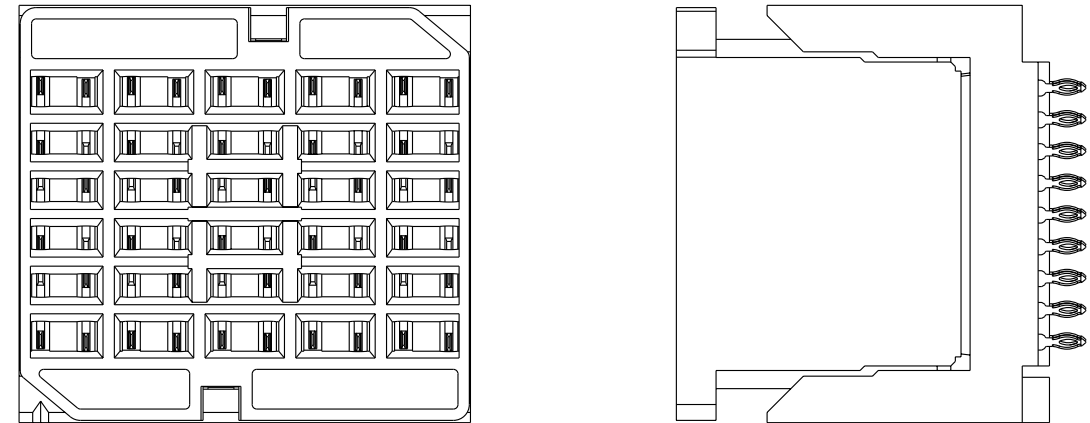
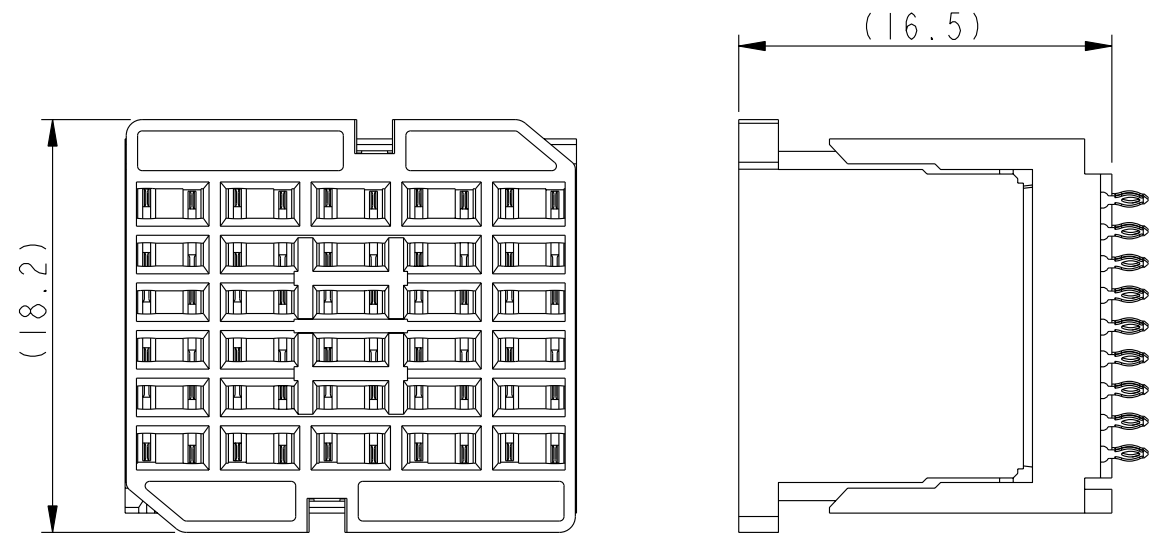
	title AirMax VS VERTICAL HEADER 3 Pair, 90 pos, 2mm, 10 IMLA	dwg no 10056103	Rev. A
	catalog no -	CUSTOMER	sheet 2 of 5

2

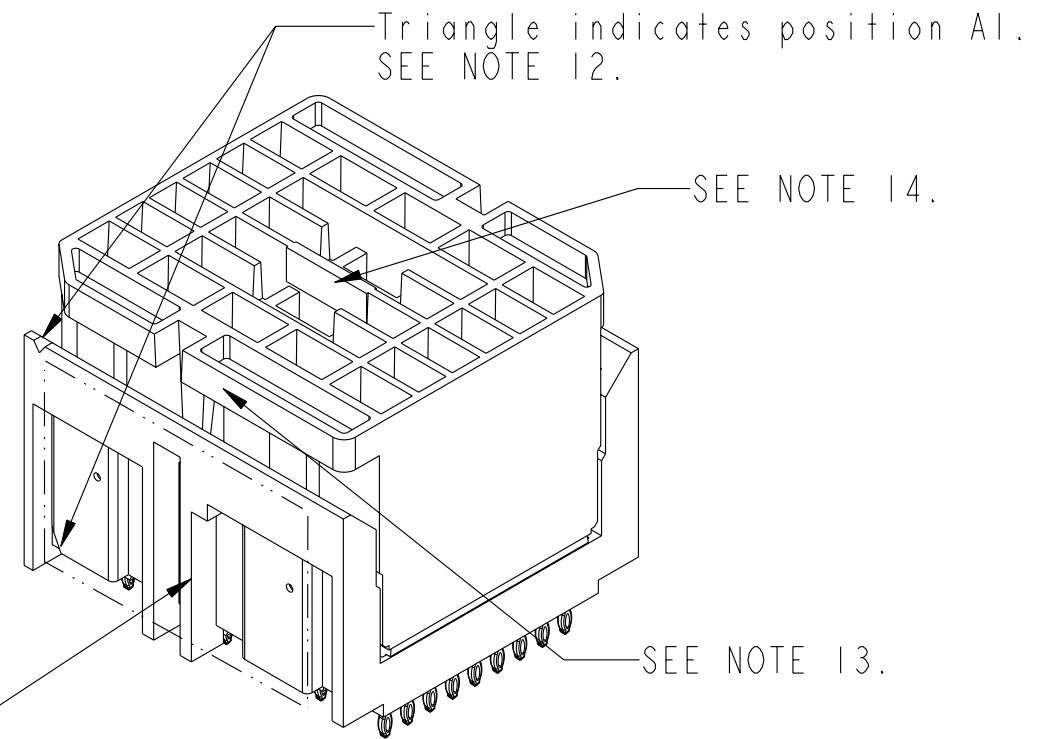
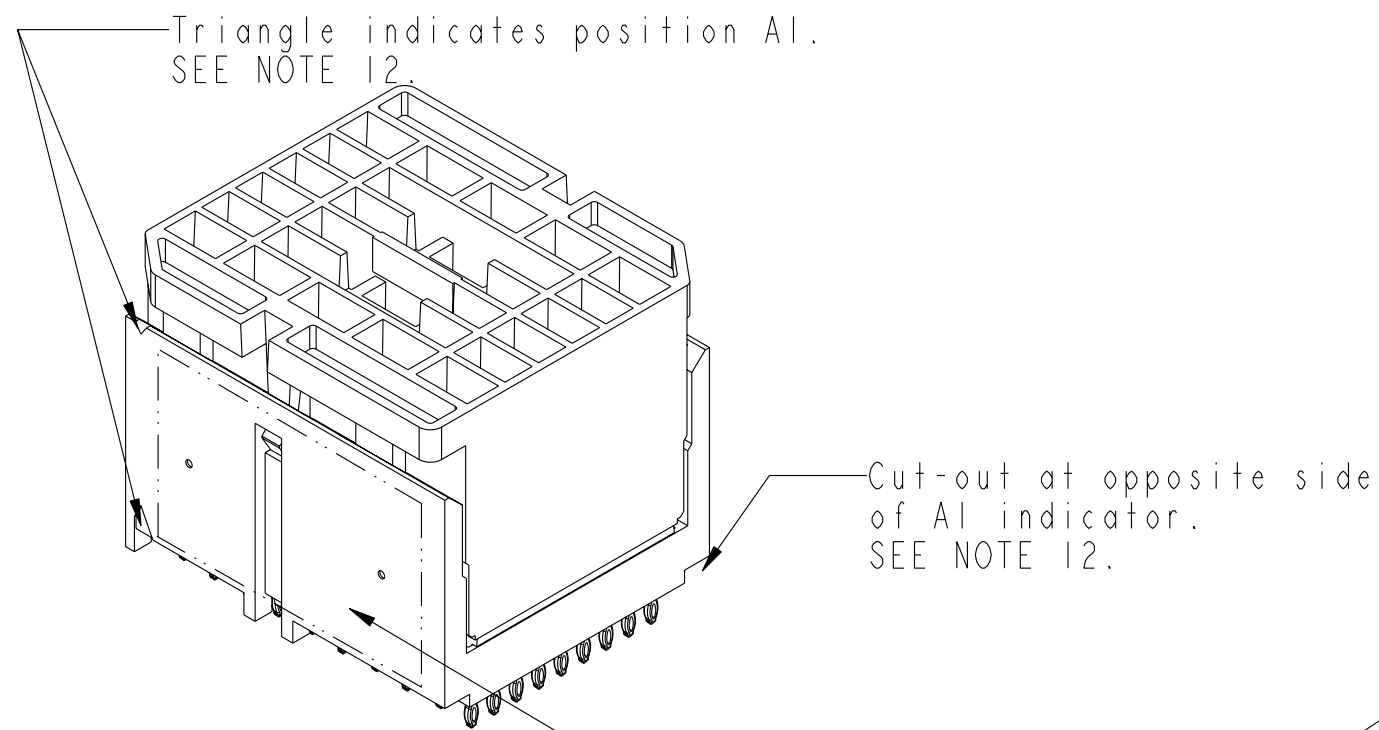
3

NARROW BODY

WIDE BODY



SCALE 3:1



Copyright FCI.

	Title	AirMax VS VERTICAL HEADER	dwg no	10056103	Rev.	A
		3 Pair, 90 pos, 2mm, 10 IMLA				
	catalog no	-	CUSTOMER	sheet 3 of 5		

1

2

3

4

NARROW BODY

WIDE BODY

A

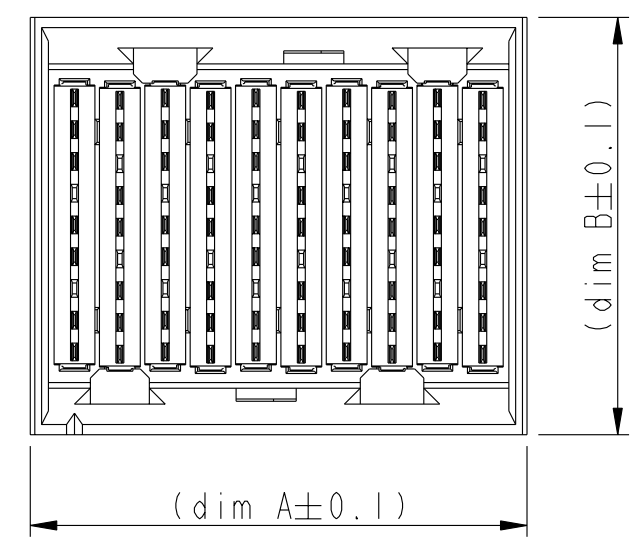
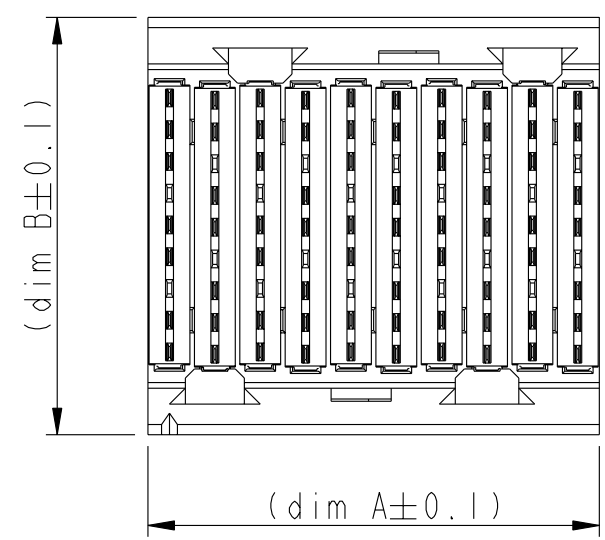
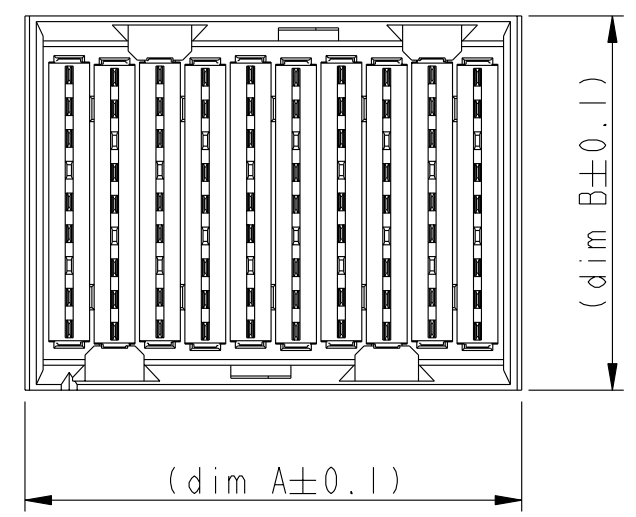
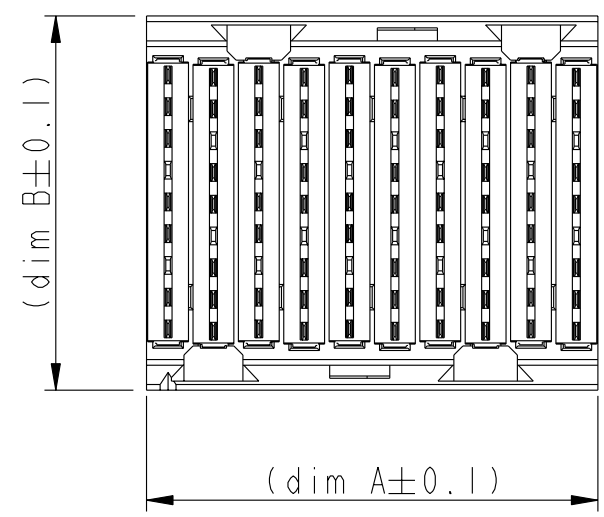
10056103 - 101ABCI

10056103 - 104ABCI

10056103 - 105ABCI

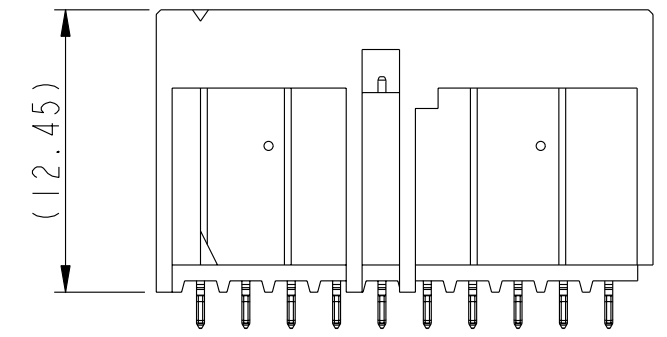
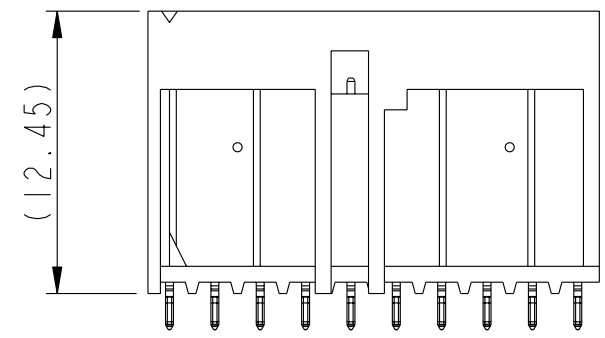
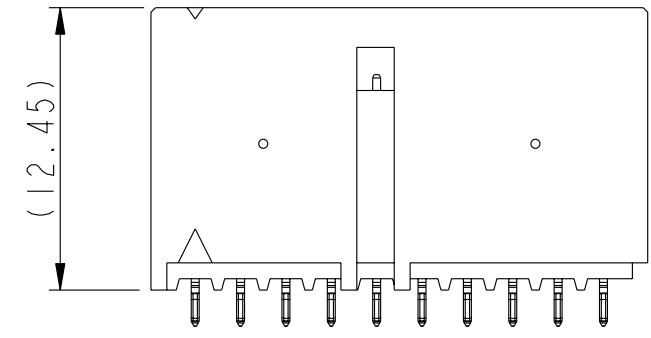
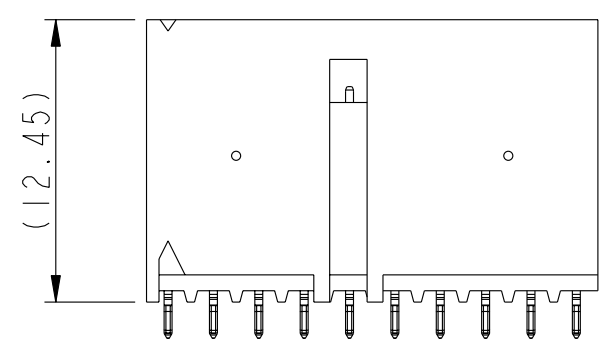
10056103 - 108ABCI

A



B

B



C

C

PN / dim	A	B
10056103-101ABCI (LF)	19.9	16.5
10056103-104ABCI (LF)	21.9	16.5
10056103-105ABCI (LF)	19.9	18.4
10056103-108ABCI (LF)	21.9	18.4

D

D



Copyright FCI.

	Title AirMax VS VERTICAL HEADER 3 Pair, 90 pos, 2mm, 10 IMLA	dwg no 10056103	Rev. A
	catalog no -	CUSTOMER	sheet 4 of 5

1

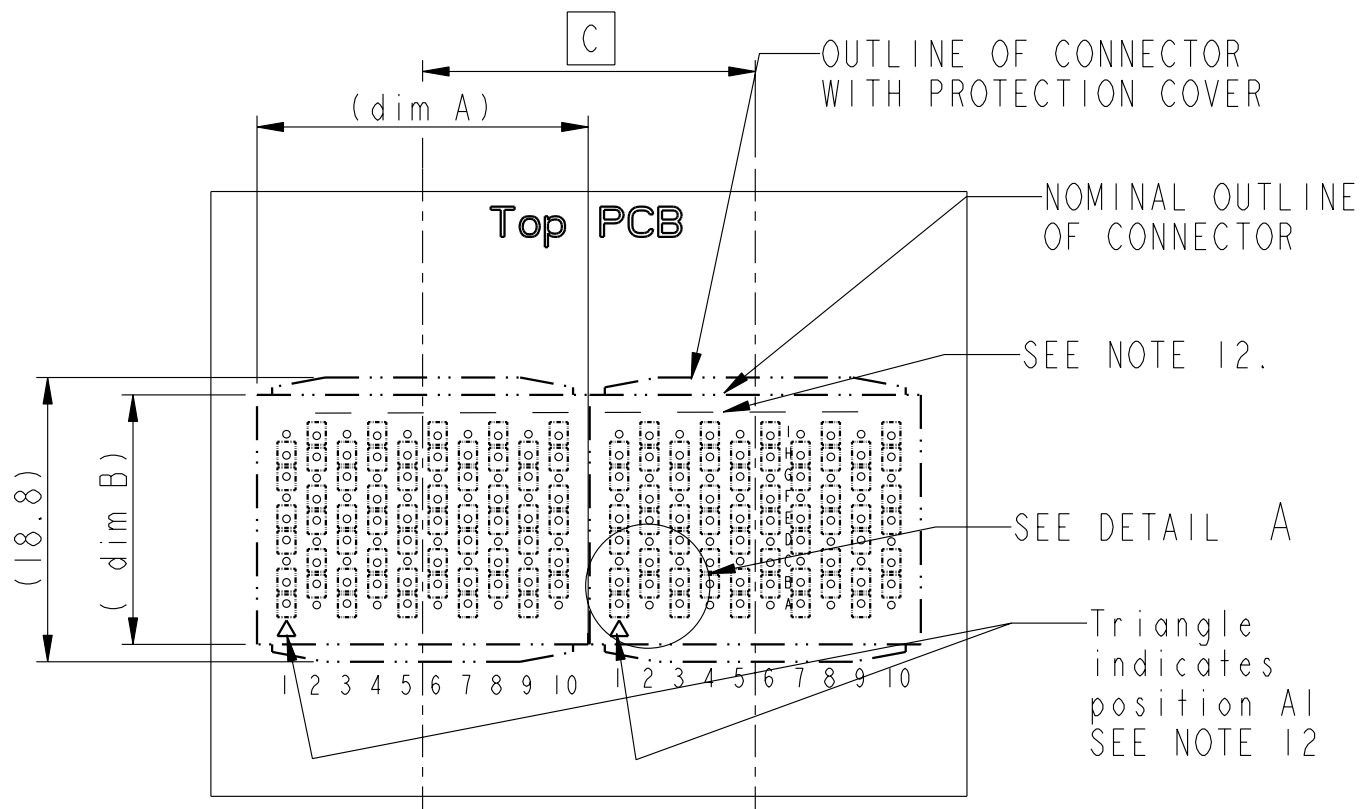
2

3

PDM: Rev:A

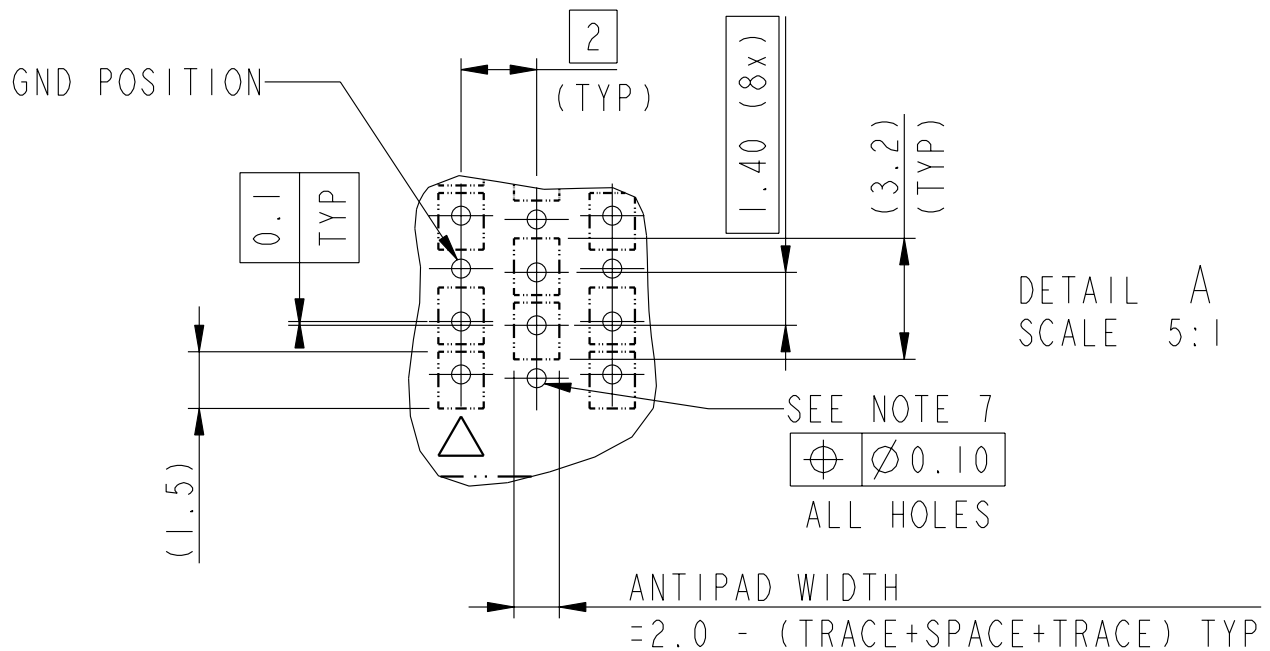
STATUS: Released

Printed: Nov 24, 2009



RECOMMENDED PCB LAYOUT FOR DIFFERENTIAL APPLICATIONS COMPONENT SIDE (TWO ADJACENT FOOTPRINTS SHOWN)

PN / dim	A	B	C
10056103-101ABC1(LF)	19.9	16.5	20
10056103-104ABC1(LF)	21.9	16.5	22
10056103-105ABC1(LF)	19.9	18.4	20
10056103-108ABC1(LF)	21.9	18.4	22



NOTES:

- CONNECTOR MATERIALS:
HOUSING : HIGH TEMP THERMOPLASTIC, NATURAL, UL94V-0
PROTECTION COVER : HIGH TEMP THERMOPLASTIC, BLACK, UL94V-0
IMLA PLASTIC: HIGH TEMP THERMOPLASTIC, BLACK UL94V-0
CONTACT: COPPER ALLOY
- CONTACT PLATING:
SEPARABLE INTERFACE: PERFORMANCE-BASED PLATING, QUALIFIED TO MEET THE REQUIREMENTS OF FCI PRODUCT SPECIFICATION GS-12-239, INCLUDING TELCORDIA GR-1217-CORE (NOV 1995) CENTRAL OFFICE TEST SEQUENCE.
PRESS-FIT TAILS: TIN-LEAD (NON LEAD FREE) OR TIN OVER NICKEL (LEAD FREE)
- PRODUCT SPECIFICATION: GS-12-239.
- APPLICATION SPECIFICATION: GS-20-035. FLATROCK INSERTION INTO PCB BY PUSHING ON TOP OF SURFACE PROTECTION COVER
- PRODUCT MARKING, (PARTNUMBER & LOTCODE).
- PROTECTION COVER MUST BE REMOVED BEFORE MATING WITH RECEPTACLE CONNECTOR
- SEE CUSTOMER DRAWING 10045979 FOR INFORMATION ON PCB HOLE DIAMETER AND PLATING OPTIONS.
- LEAD FREE PARTNUMBERS MEETS THE EUROPEAN UNION DIRECTIVE AS DESCRIBED IN GS-22-008, SUB CLAUSE 3.2
- THE HOUSING SHOULD WITHSTAND EXPOSURE TO 260°C PEAK TEMPERATURE FOR 40 SECONDS IN A CONVECTION, INFRA-RED OR VAPOR PHASE REFLOW OVEN.
- PACKAGE PER GS-14-1086 AND GS-14-920 LEAD FREE LABELING SPEC.
- THERE IS NO GROUND BUSSING WITHIN THE CONNECTOR SYSTEM.
- IT IS RECOMMENDED TO PUT THIS VISIBLE LINE AND THE A1 INDICATION (TRIANGLE) ON THE PCB TO INDICATE PROPER ORIENTATION. OTHER VISIBLE POLARIZATION MARKS ARE A1 INDICATOR AND PRINTING SIDE. (SEE SHEET 3)
- GRIPPING FEATURE TO REMOVE PROTECTION COVER BY FINGERS.
- GRIPPING FEATURE TO REMOVE PROTECTION COVER BY STANDARD PLIERS.



Copyright FCI.

	title AirMax VS VERTICAL HEADER 3 Pair, 90 pos, 2mm, 10 IMLA	dwg no 10056103	Rev. A
	catalog no -	CUSTOMER	sheet 5 of 5