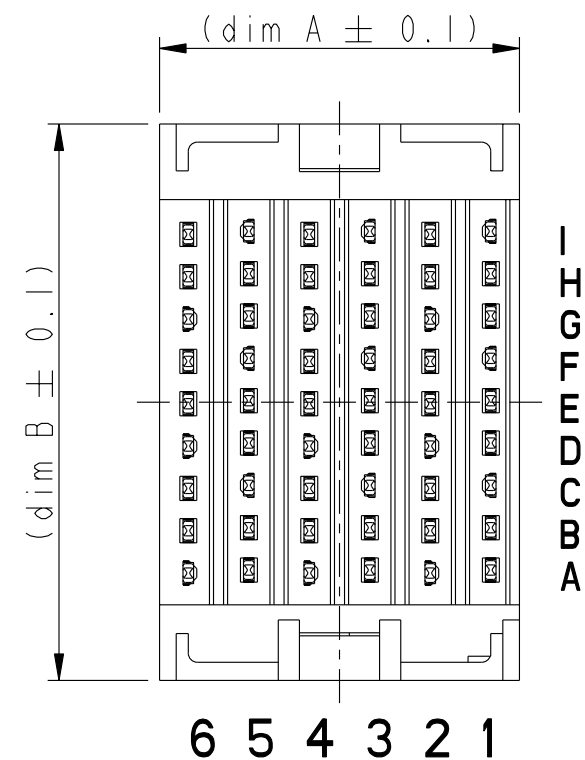
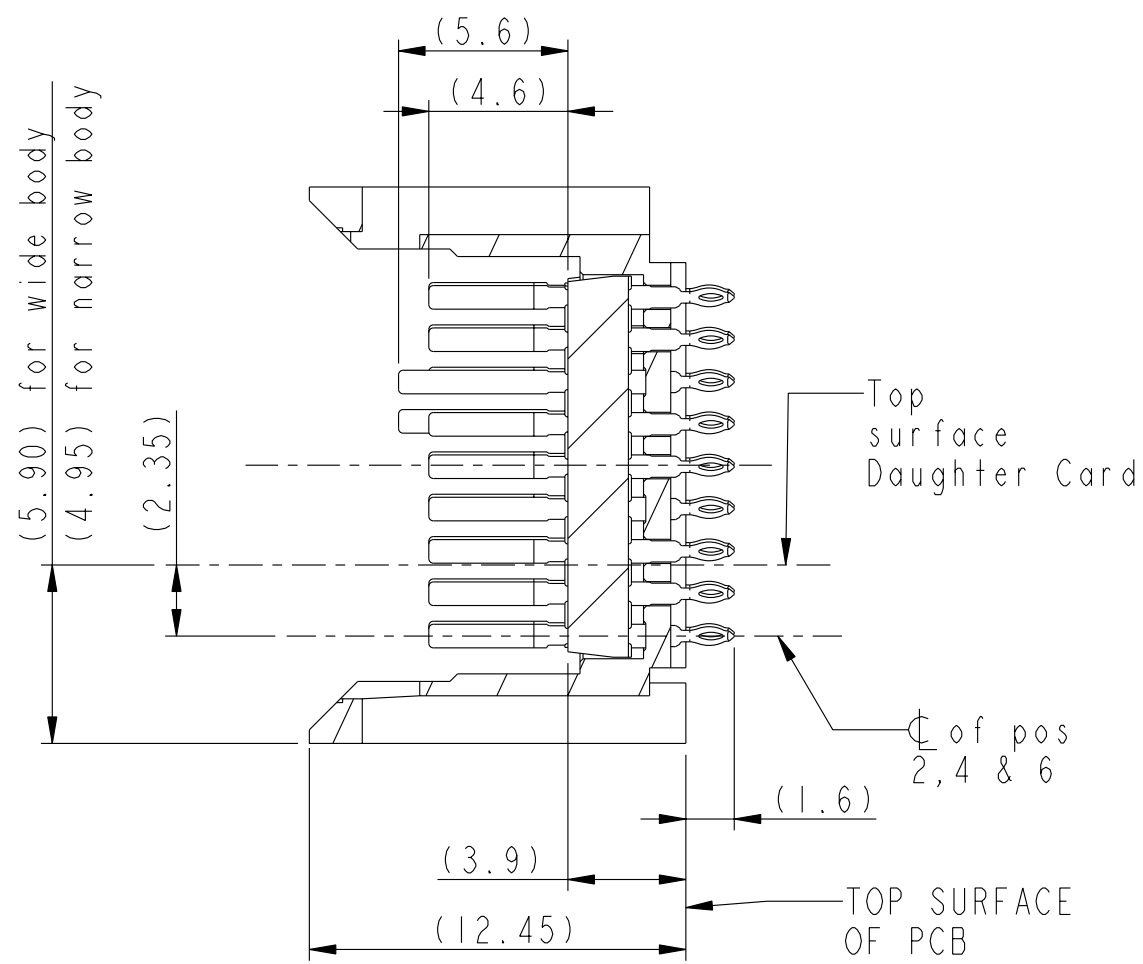
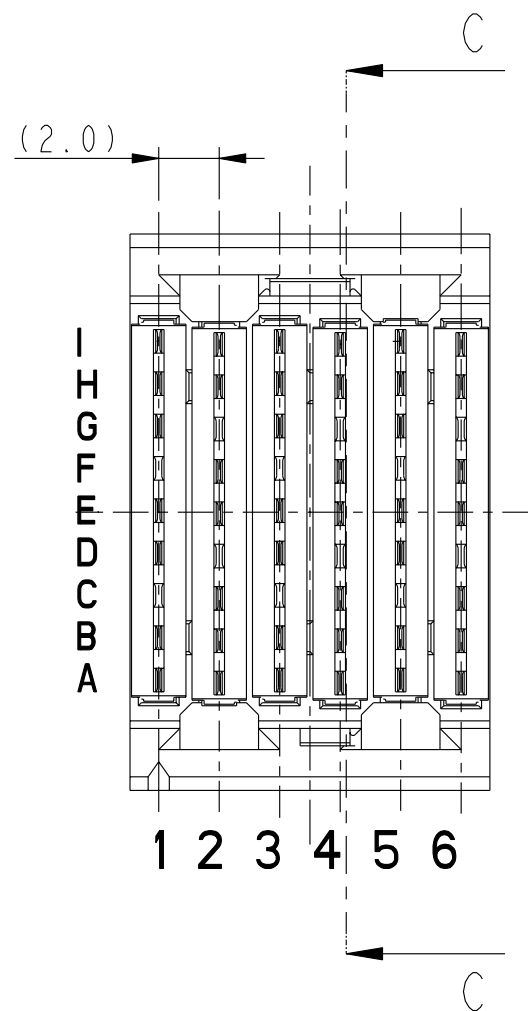


VIEWS WITHOUT PROTECTION COVER



For housing types and dim A and B see sheet 4

SECTION C-C

Part number:
10056101-1YZABCILF

X = PLATING

1 = TELCORDIA CO (see note 2 sheet 5)
5 = TELCORDIA UE

YZ = HOUSING TYPE

01 = 2 wall narrow body
04 = 4 wall narrow body
05 = 2 wall wide body (STANDARD VERSION)
08 = 4 wall wide body

ABC = PINLAYOUT

001 = standard layout (no detect pin)
xxx = other versions see sheet 2

LF = Lead Free

LF = Lead free product (see note 8 sheet 5)
no suffix = Non lead free: available upon special request

2 WALL WIDE BODY VERSION AS SHOWN

www.fciconnect.com			surface ISO 1302	tolerance std ISO 406 ISO 1101	projection mm
TOLERANCES UNLESS OTHERWISE SPECIFIED					
Dr	P. K. Ramesh	2005-09-23	ANGULAR	0.X	±
Eng	R. de Blied	2005-09-23		LINEAR	0.XX
Chr	M. Cheong	2007-06-20	0° ±°		0.XXX
Appr	Joey Ng	2007-06-20	Product family AirMax VS		size A3
Product family AirMax VS					Scale 1:1
Spec ref CONCEPT					ECN S07-0213
FCi			Title AirMax VS VERTICAL HEADER		Rev. D
			3 Pair, 54 pos, 2mm, 6 IMLA		
catalog no			Customer		sheet 1 of 5

rev	ecn no	dr	date
A	H06-0057	EDB	2006-04-10
B	H06-0109	EDB	2006-06-23
C	S06-0370	MCH	2006-11-07
D	S07-0213	MCH	2006-06-20
-	-	-	-
-	-	-	-
-	-	-	-

* Detection pin of 3.9mm possible on standard positions H3.
 For other detection pin and options please consult FCI.

Partnumber \ Pin layout	5.6mm Longpins (typ gnd)	3.9mm * Short pin (typ detect)	4.6mm Otherpins (typ sign)
10056101-XYZ0011(LF)	F1,F3,F5 G2,G4,G6	-	all other positions
10056101-XYZ0031(LF)	F1,F3,F5 G2,G4,G6	H3	all other positions

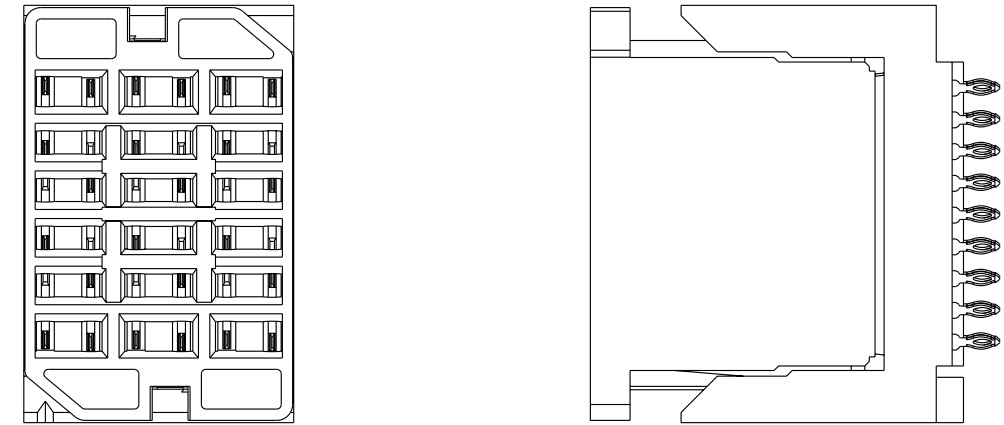
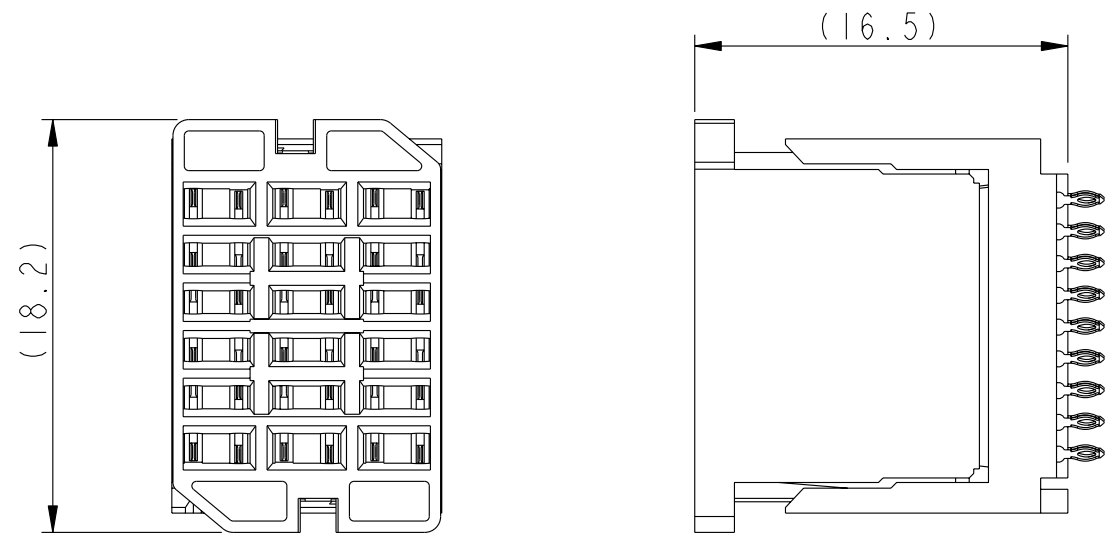


Copyright FCI.

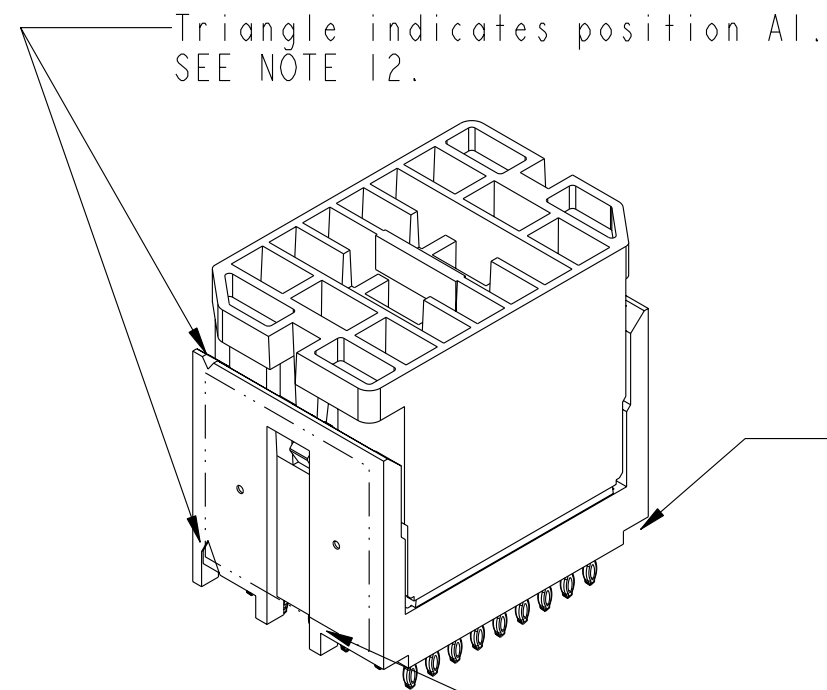
	Title	AirMax VS VERTICAL HEADER	dwg no	10056101	Rev.	D
	catalog no	-		CUSTOMER		sheet 2 of 5

NARROW BODY

WIDE BODY



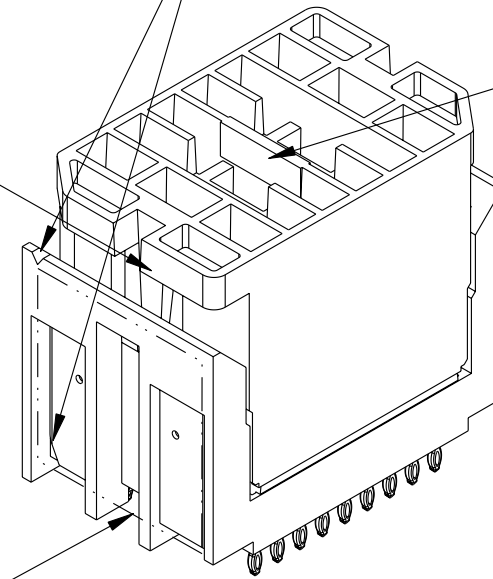
SCALE 3:1



SEE NOTE 13.

Triangle indicates position A1. SEE NOTE 12.

SEE NOTE 14.



SCALE 3:1

Cut-out at opposite side of A1 indicator. SEE NOTE 12.

NOTE 5 & 12



Copyright FCI.

	Title AirMax VS VERTICAL HEADER 3 Pair, 54 pos, 2mm, 6 IMLA	dwg no 10056101	Rev. D
	catalog no -	CUSTOMER	sheet 3 of 5

1

2

3

4

NARROW BODY

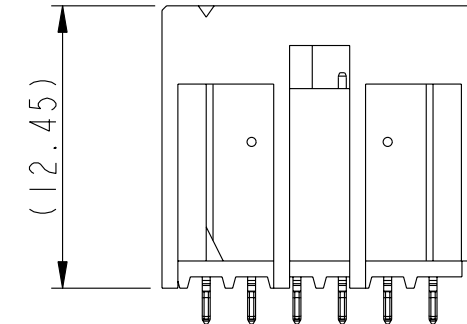
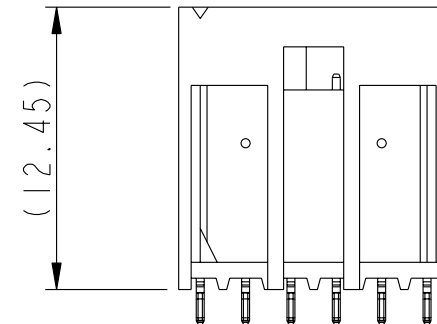
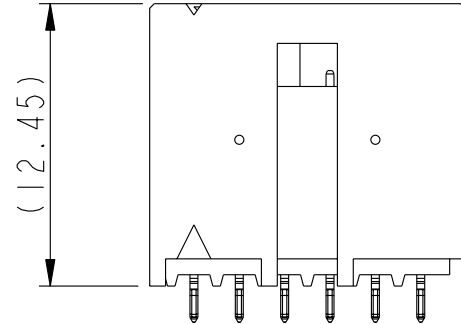
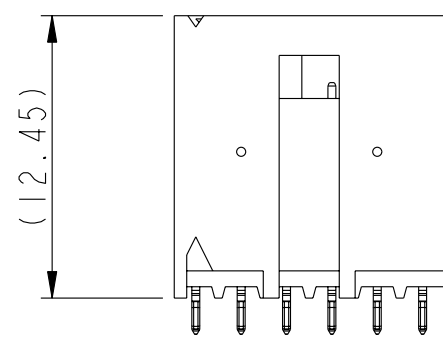
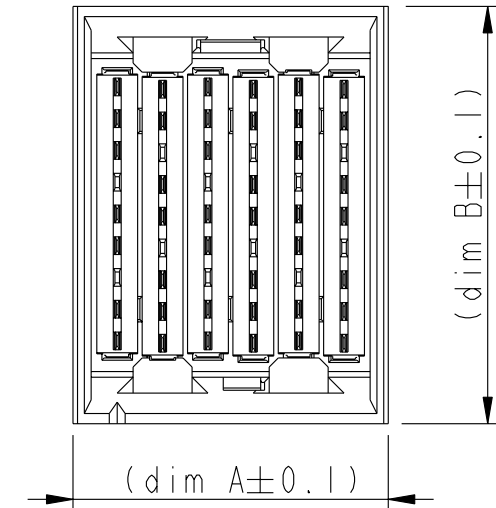
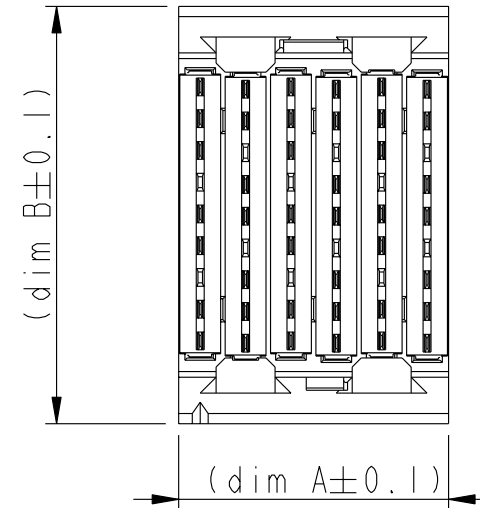
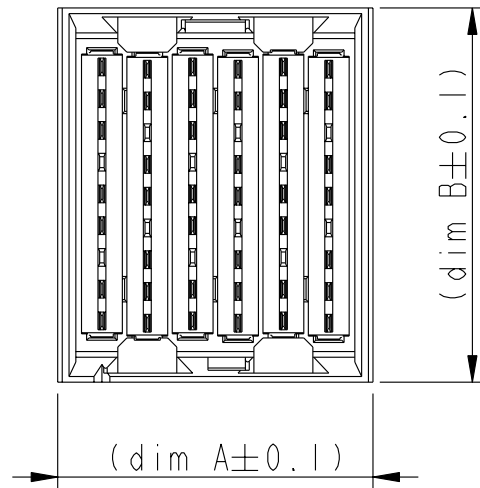
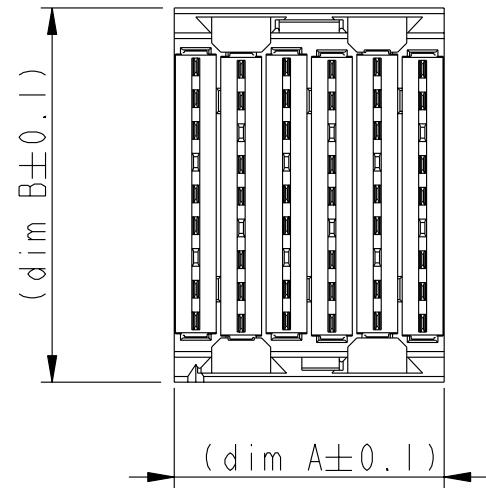
WIDE BODY

10056101 - X01ABCI

10056101 - X04ABCI

10056101 - X05ABCI

10056101 - X08ABCI



PN / dim	A	B
10056101-X01ABCI(LF)	11.9	16.5
10056101-X04ABCI(LF)	13.9	16.5
10056101-X05ABCI(LF)	11.9	18.4
10056101-X08ABCI(LF)	13.9	18.4



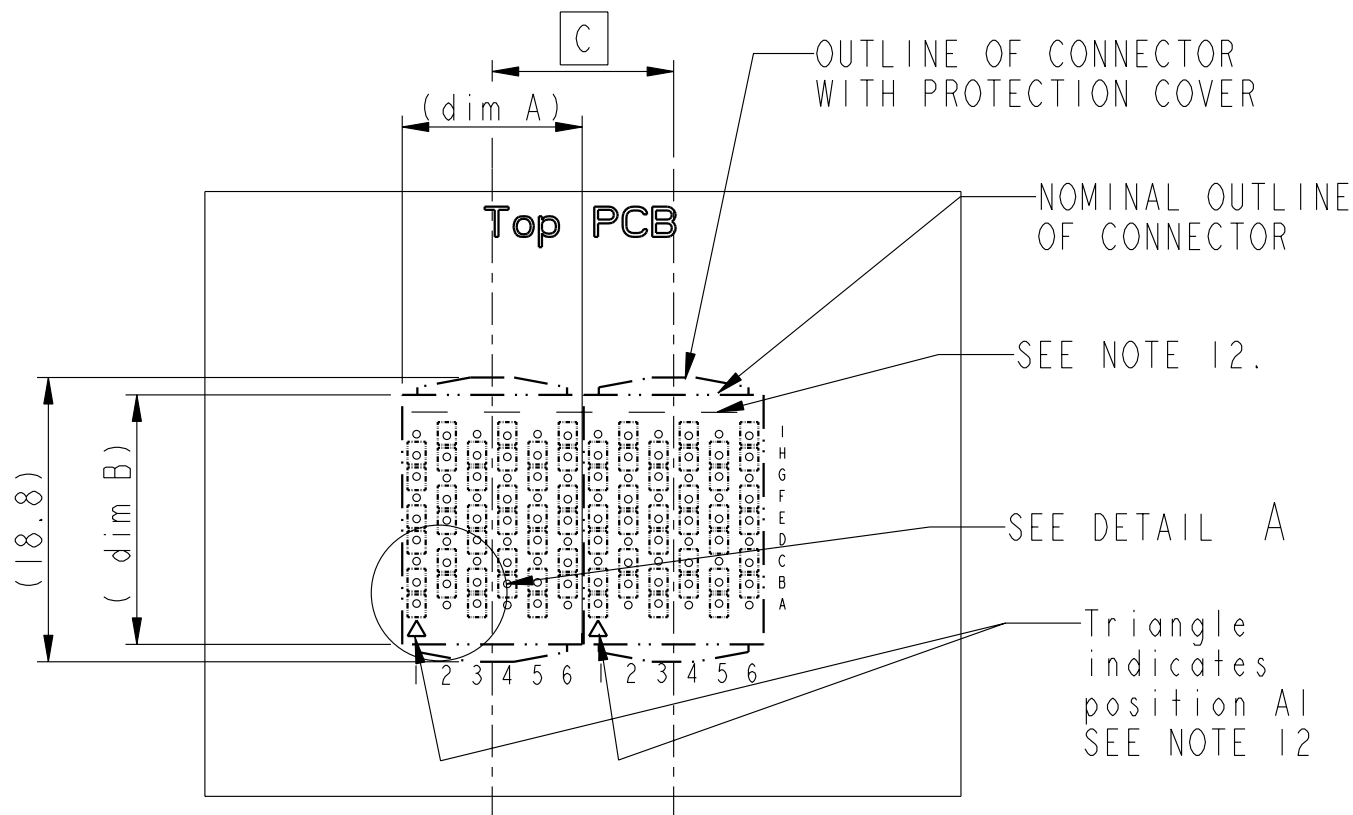
Copyright FCI.

	Title AirMax VS VERTICAL HEADER 3 Pair, 54 pos, 2mm, 6 IMLA	dwg no 10056101	Rev. D
	catalog no -	CUSTOMER	sheet 4 of 5

1

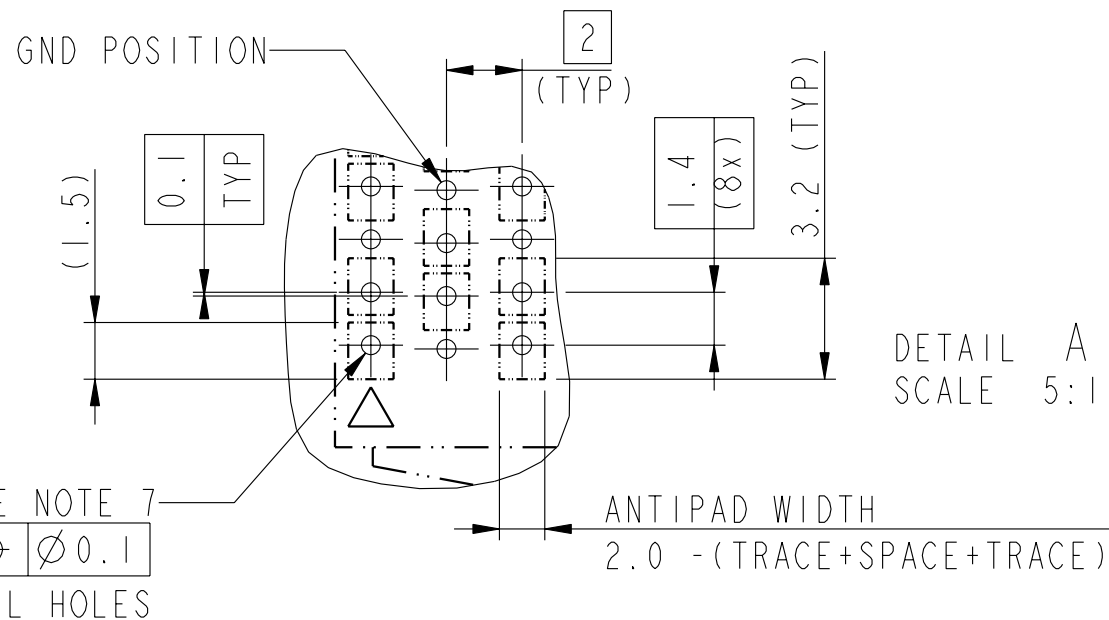
2

3



RECOMMENDED PCB LAYOUT FOR DIFFERENTIAL APPLICATIONS COMPONENT SIDE (TWO ADJACENT FOOTPRINTS SHOWN)

PN / dim	A	B	C
10056101-X01ABCI(LF)	11.9	16.5	12
10056101-X04ABCI(LF)	13.9	16.5	14
10056101-X05ABCI(LF)	11.9	18.4	12
10056101-X08ABCI(LF)	13.9	18.4	14



NOTES:

- CONNECTOR MATERIALS:
HOUSING : HIGH TEMP THERMOPLASTIC, NATURAL, UL94V-0
PROTECTION COVER : HIGH TEMP THERMOPLASTIC, BLACK, UL94V-0
IMLA PLASTIC: HIGH TEMP THERMOPLASTIC, BLACK UL94V-0
CONTACT: COPPER ALLOY
- CONTACT PLATING:
SEPARABLE INTERFACE: PERFORMANCE-BASED PLATING, QUALIFIED TO MEET THE REQUIREMENTS OF FCI PRODUCT SPECIFICATION GS-12-239, INCLUDING TELCORDIA GR-1217-CORE (NOV 1995) TEST SEQUENCE.
PRESS-FIT TAILS: TIN-LEAD (NON LEAD FREE) OR TIN OVER NICKEL (LEAD FREE)
- PRODUCT SPECIFICATION: GS-12-239.
- APPLICATION SPECIFICATION: GS-20-035. FLATROCK INSERTION INTO PCB BY PUSHING ON TOP OF SURFACE PROTECTION COVER
- PRODUCT MARKING, (PARTNUMBER & LOTCODE).
- PROTECTION COVER MUST BE REMOVED BEFORE MATING WITH RECEPTACLE CONNECTOR
- SEE CUSTOMER DRAWING 10045979 FOR INFORMATION ON PCB HOLE DIAMETER AND PLATING OPTIONS.
- LEAD FREE PRODUCT MEETS THE EUROPEAN UNION DIRECTIVE & OTHER COUNTRY REGULATIONS AS DESCRIBED IN GS-22-008.
- THE HOUSING SHOULD WITHSTAND EXPOSURE TO 260°C PEAK TEMPERATURE FOR 40 SECONDS IN A CONVECTION, INFRA-RED OR VAPOR PHASE REFLOW OVEN.
- PACKAGE PER GS-14-1086 AND GS-14-920 LEAD FREE LABELING SPEC.
- THERE IS NO GROUND BUSSING WITHIN THE CONNECTOR SYSTEM.
- IT IS RECOMMENDED TO PUT THIS VISIBLE LINE AND THE AI INDICATION (TRIANGLE) ON THE PCB TO INDICATE PROPER ORIENTATION. OTHER VISIBLE POLARIZATION MARKS ARE AI INDICATOR AND PRINTING SIDE. (SEE SHEET 3)
- GRIPPING FEATURE TO REMOVE PROTECTION COVER BY FINGERS.
- GRIPPING FEATURE TO REMOVE PROTECTION COVER BY STANDARD PLIERS.



Copyright FCI.

	Title	AirMax VS VERTICAL HEADER	dwg no 10056101	Rev. D
	3 Pair, 54 pos, 2mm, 6 IMLA catalog no	-		