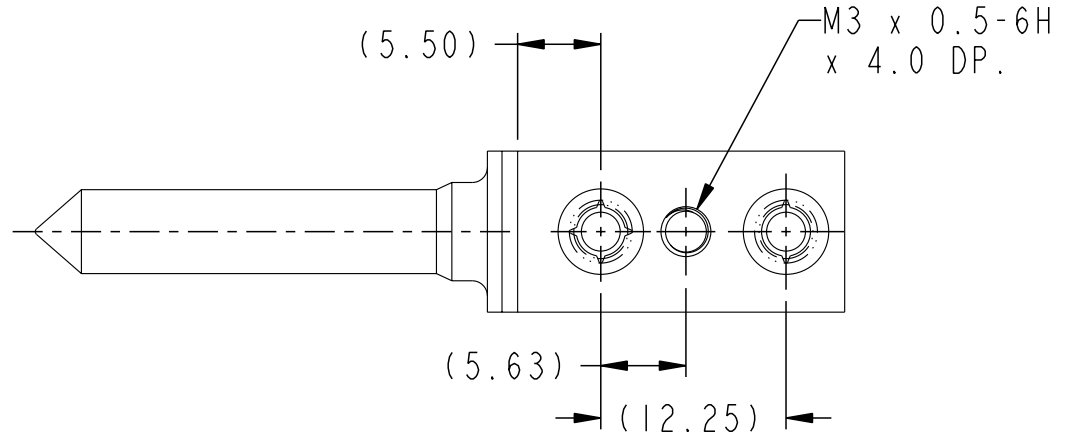
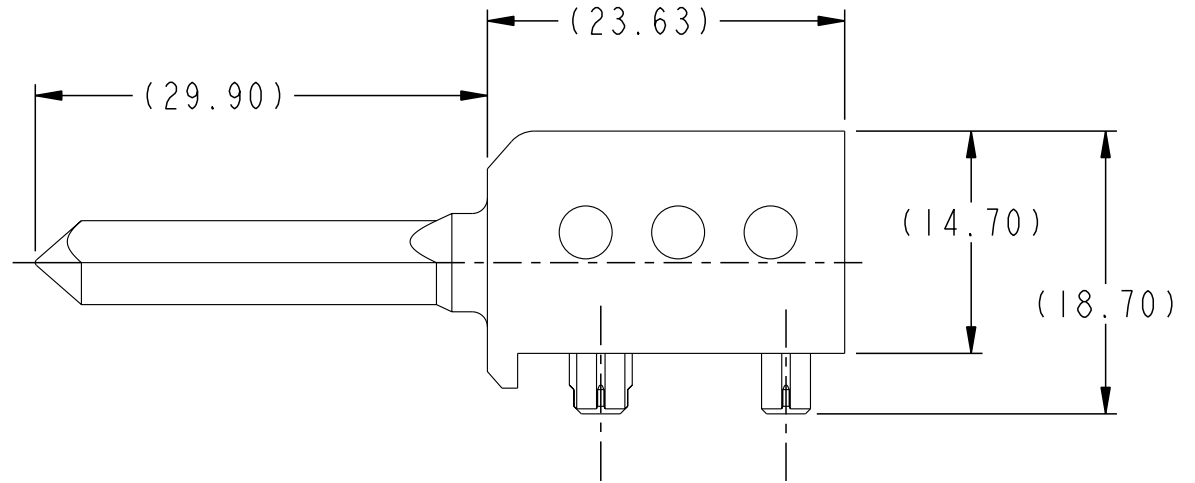
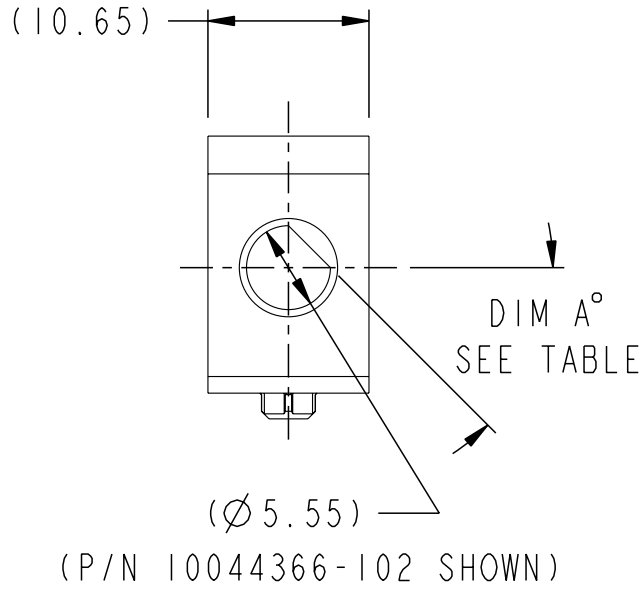


Tous droits strictement réservés. Reproduction ou communication à des tiers interdite sous quelque forme que ce soit sans autorisation écrite du propriétaire. Propriété de FCI. Droits de reproduction FCI.



All rights strictly reserved. Reproduction or issue to third parties in any form whatever is not permitted without written authority from the proprietor. Property of FCI. Copyright FCI.



rev	ecn no	dr	date
A	V05-0557	AR	06/07/05
-	-	-	-
-	-	-	-
-	-	-	-
-	-	-	-
-	-	-	-

<b>A</b> FCI		www.fciconnect.com		surface <input checked="" type="checkbox"/>	tolerance ASME Y14.5	projection 	mm 
Dr	T. HOUTZ	12/15/04	Product family HG. SPD. BACKPANEL		size A4	Scale 2:1	
Eng	H. NGO	12/15/04	Spec ref		ECN NEW		
Chr	H. NGO	12/15/04	Material SEE NOTES 1 & 2				
Appr	H. NGO	12/15/04					
title 10.8mm R-ANGLE PIN 4/5 Pr.					dwg no 10044366		Rev. A
catalog no					-	CUSTOMER	sheet 1 of 2

Tous droits strictement reserves. Reproduction ou communication a des tiers interdite sous quelque forme que ce soit sans autorisation écrite du propriétaire. Propriete de c FCI. Droits de reproduction FCI.



All rights strictly reserved. Reproduction or issue to third parties in any form whatever is not permitted without written authority from the proprietor. Property of FCI. Copyright FCI.

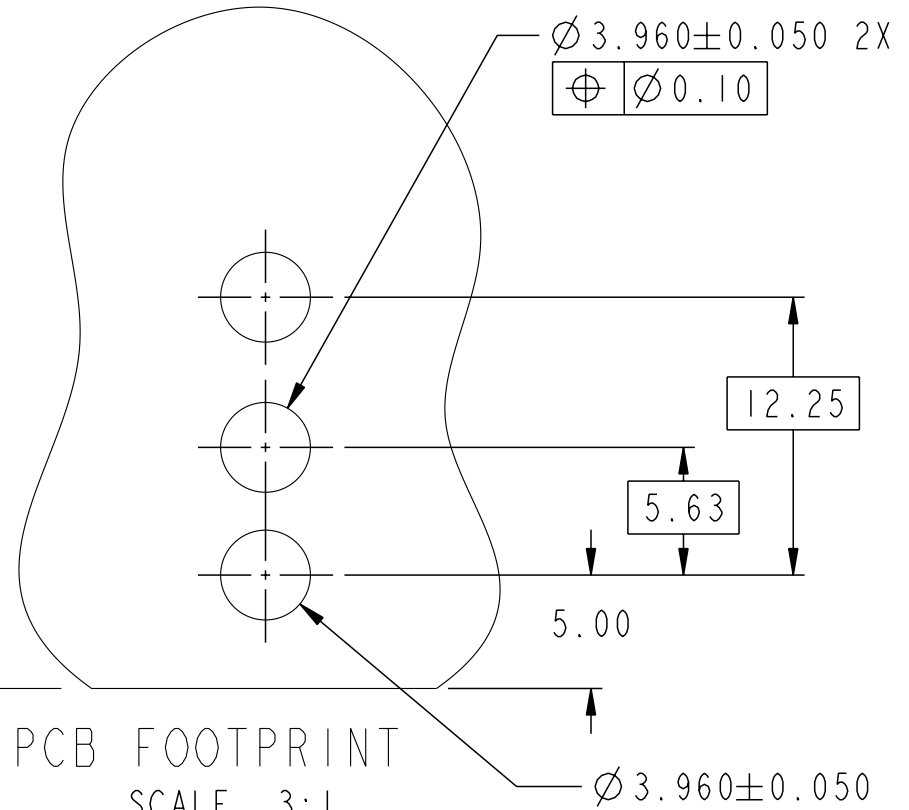
PART NUMBER	DIM A°
10044366-101LF	0°
10044366-102LF	45°
10044366-103LF	90°
10044366-104LF	135°
10044366-105LF	180°
10044366-106LF	225°
10044366-107LF	270°
10044366-108LF	315°

EXTENDED CARD EDGE

PCB FOOTPRINT

SCALE 3:1

SEE NOTE 3, 4, & 5



NOTES:

- ① MATERIAL: ZINC ALLOY.
- ② FINISH: ZINC YELLOW CHROMATE.
- ③ PRELIMINARY APPLICATION SPECIFICATION: GS-20-045.
- ④ REFER TO CUSTOMER DRAWING 10035911 FOR INFORMATION REGARDING PCB LAYOUT OF POWER AND GUIDE MODULES RELATIVE TO SIGNAL MODULES.
- ⑤ RIGHT ANGLE PIN MODULE HAS THE SAME PCB FOOTPRINT AS THE RIGHT ANGLE GUIDE SOCKET.
- 6 THIS PRODUCT MEETS EUROPEAN UNION DIRECTIVES AND OTHER COUNTRY REGULATIONS AS DESCRIBED IN GS-22-008.
- 7 PACKAGING MEETS GS-14-920 LEAD FREE LABELING SPECIFICATION.

title	10.8mm R-ANGLE PIN 4/5 Pr.	dwg no	10044366	Rev.	A
catalog no	-	CUSTOMER	sheet 2 of 2		

PDM: Rev:A

STATUS Released

4 Printed: Jul 03, 2008