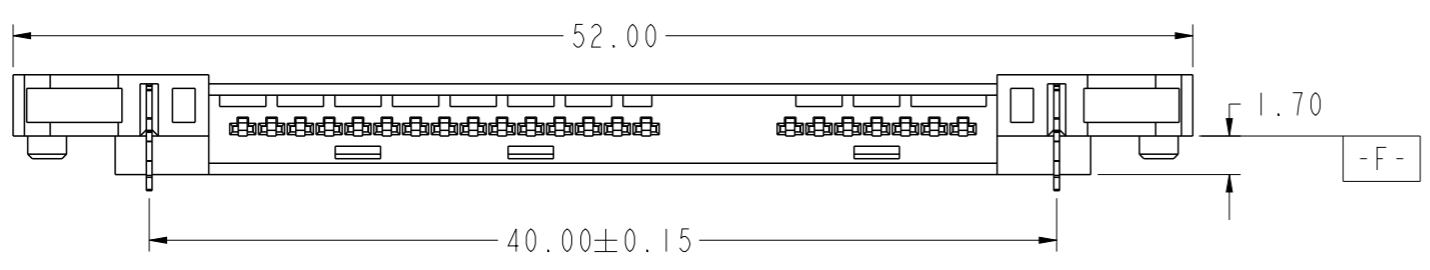
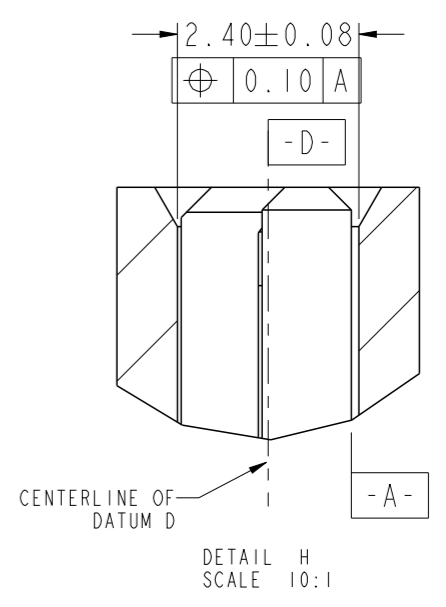
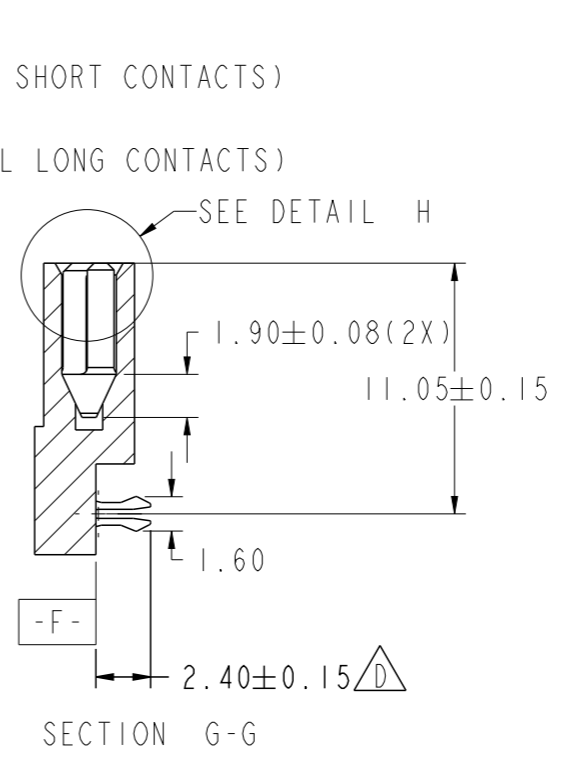
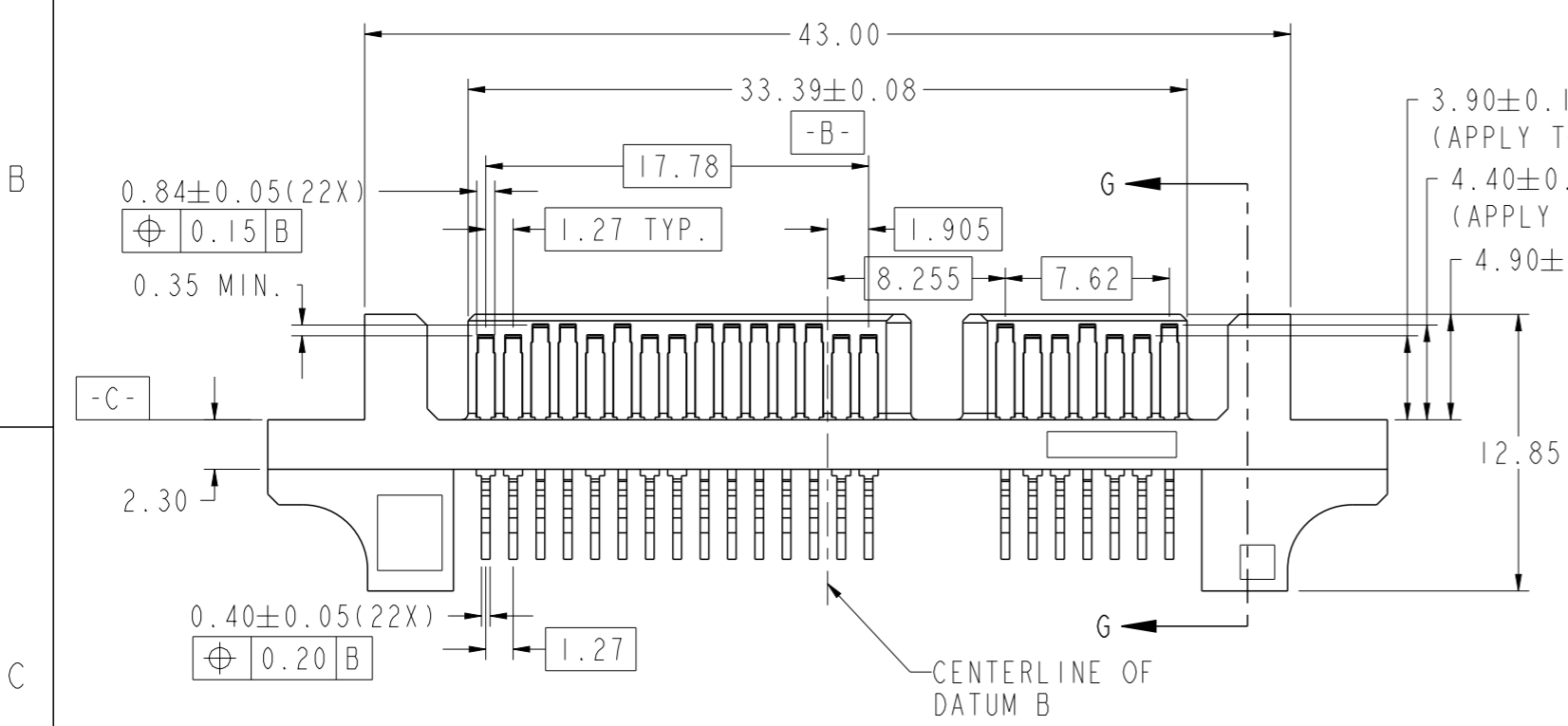
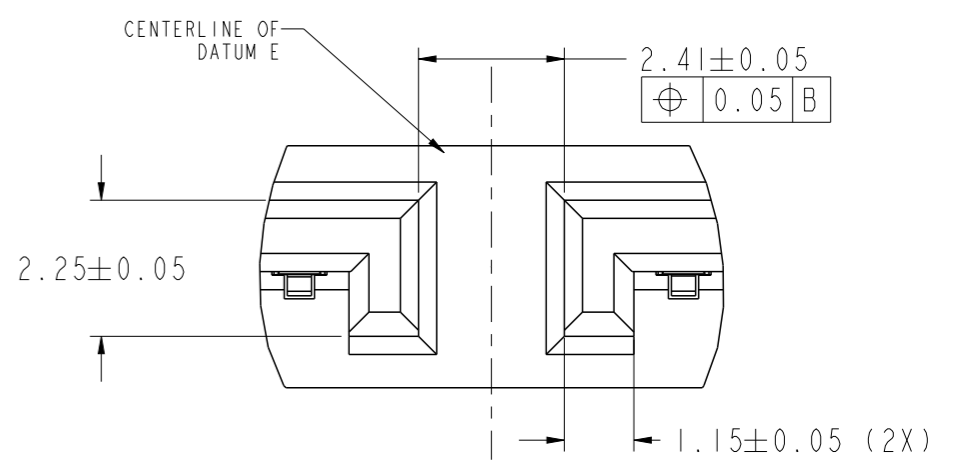
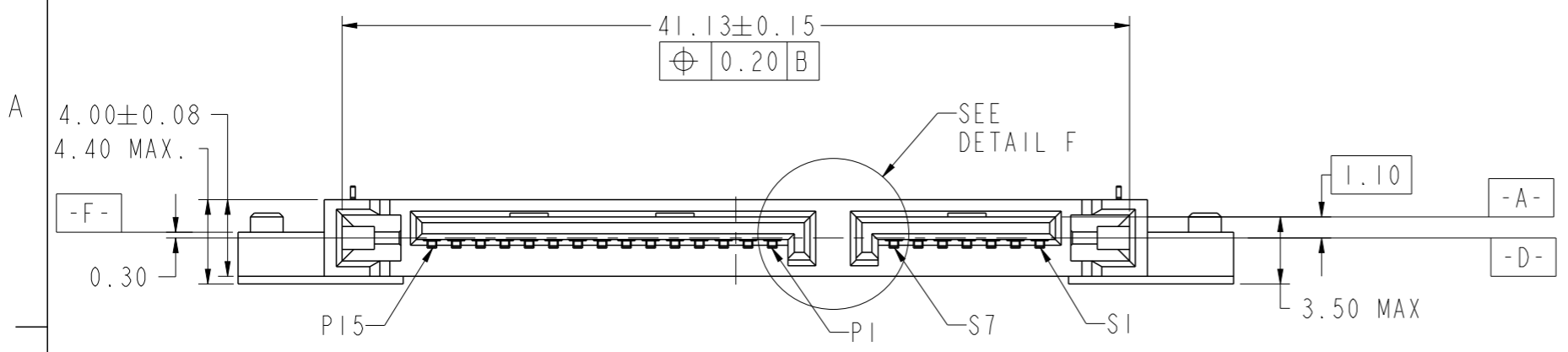


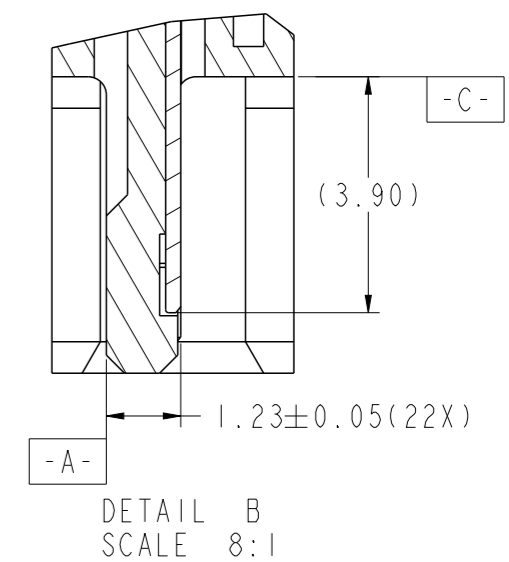
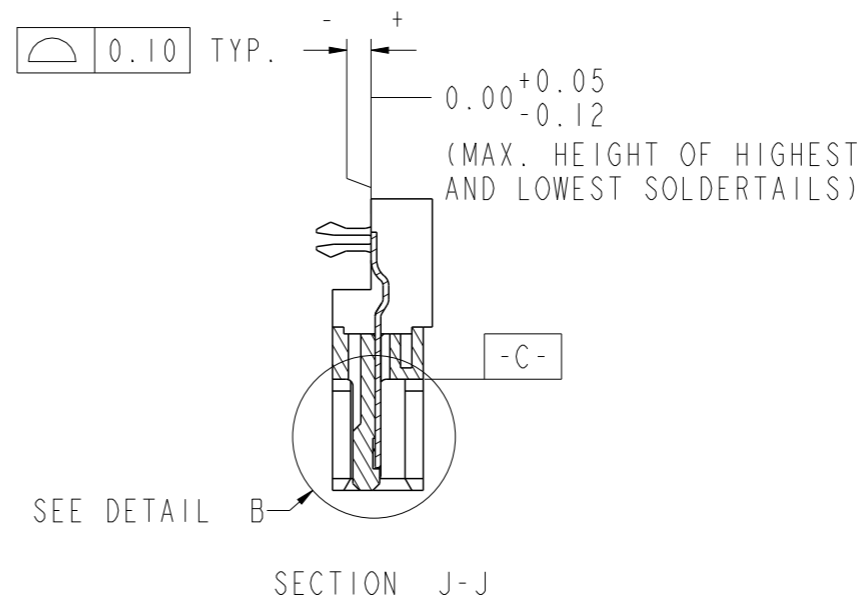
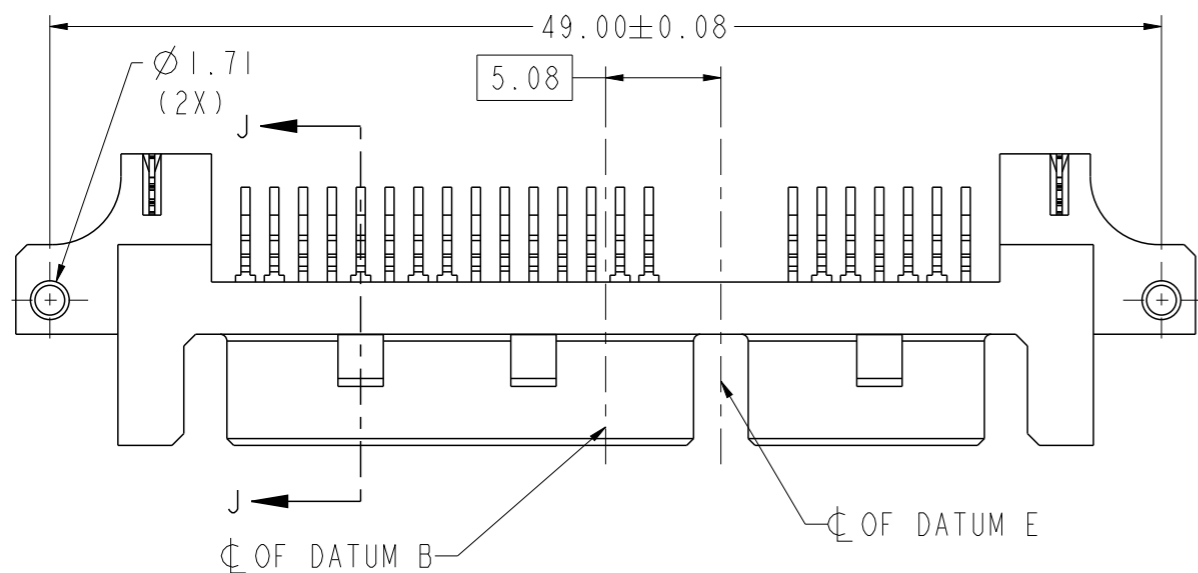
PRODUCT NO.
10039651-001LF



Copyright FCI.

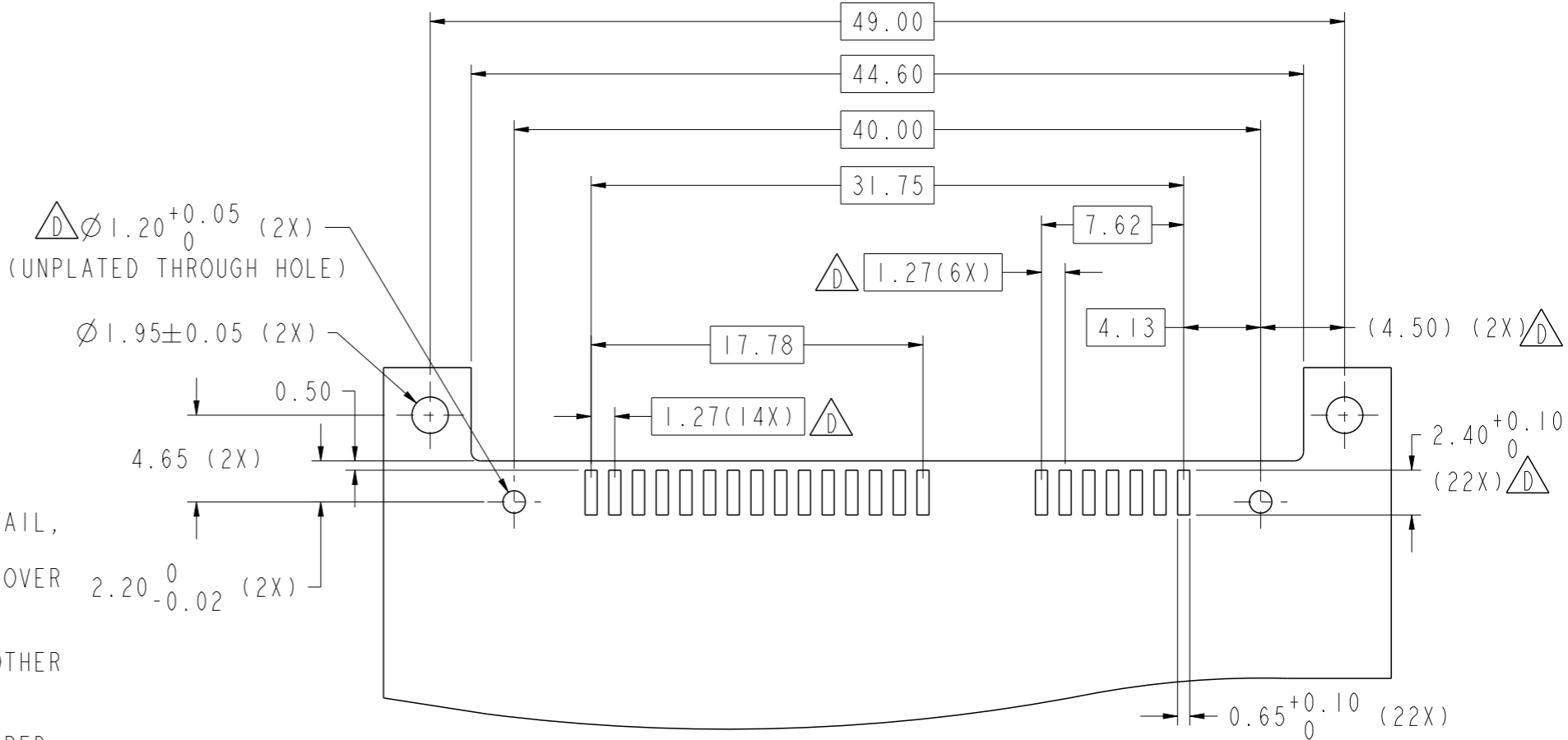
spec ref	dr	wcadmin	2005/05/24	projection	MM	size	A3	scale	3:1
tolerance std	eng	Jeffrey Lim	2012/02/08			ecn no	ELX-S-010222-1	rel level	Released
ASME Y14.5	chr	-	-						
surface		linear	0.X	±0.25		SATA PLUG R/A TYPE ASSY	dwg no	10039651	rev
			0.XX	±0.13					
			0.XXX	±0.050					
	angular	0°	±2°	www.fci.com	cat. no.	Product - Customer Drw	sheet 1 of 2		

PRODUCT NO. 10039651-001LF
 PACKAGING TRAY



NOTES:

- MATERIAL:
HOUSING: HIGH TEMPERATURE PLASTIC, BLACK, UL94V-0
CONTACT & HOLD DOWN: COPPER ALLOY
- FINISH:
CONTACT: 1.27um Min. NICKEL UNDERPLATE OVERALL,
1.91um Min. 100% MATTE TIN (LEAD-FREE) ON SOLDER TAIL,
0.76um Min. GOLD ON CONTACT AREA
HOLD DOWN: 2.54um Min. 100% MATTE TIN (LEAD-FREE) OVER
1.27um Min. NICKEL UNDERPLATE
- RECOMMENDED PCB THICKNESS: 1.60mm
- THIS PRODUCT MEETS EUROPEAN UNION DIRECTIVES AND OTHER COUNTRY REGULATIONS AS DESCRIBED IN GS-22-008
- THE HOUSING WILL WITHSTAND EXPOSURE TO 260°C PEAK TEMPERATURE FOR 10 SECONDS IN A CONVECTION, INFRA-RED OR VAPOR PHASE REFLOW OVEN
- PRODUCT SPECIFICATION: GS-12-282
- A SYMBOL WILL BE NEXT TO ANY DIMENSION, VIEW OR NOTE WHICH HAS BEEN MODIFIED WITH THE CURRENT DRAWING REVISION



SCALE 3:1
 RECOMMENDED SMT PAD DIMENSIONS

Copyright FCI.

spec ref	dr	wcadmin	2005/05/24	projection	MM	size	A3	scale	3:1
tolerance std	eng	Jeffrey Lim	2012/02/08			ecn no	ELX-S-010222-1		
ASME Y14.5	chr	-	product family				rel level	Released	
surface <input checked="" type="checkbox"/>	linear	0.X	±0.25		SATA PLUG R/A TYPE ASSY	dwg no	10039651		rev
		0.XX	±0.13						
		0.XXX	±0.050						
	angular	0°	±2°	www.fci.com	cat. no.	Product - Customer Drw		sheet 2 of 2	