

SCALE 2:1

GENERAL TOLERANCE	UNLESS OTHERWISE SPECIFIED
LINEAR	XXX = ±0.25 XXX = ±0.15 XXX = ±0.05
ANGULAR	±2°

rev	ech	no	dr	date
A	S05-0256	CST	10/21/05	
B	T06-0062	JASON	04/14/06	

www.fciconnect.com		ASME Y14.5	ASME Y14.5	projection	Scale
Dr	JASON SHU	04/14/06	Product family	size	A4
Eng	CS TED	04/14/06	Spec ref	ECN	S05-0256
Appr	JOEY NG	04/14/06	Material	SEE NOTES	
4 LANE R/A			CUSTOMER		
TH HEADER			10035104		
catalog no			sheet 1 of 2		

D

C

B

A

1

2

3

4

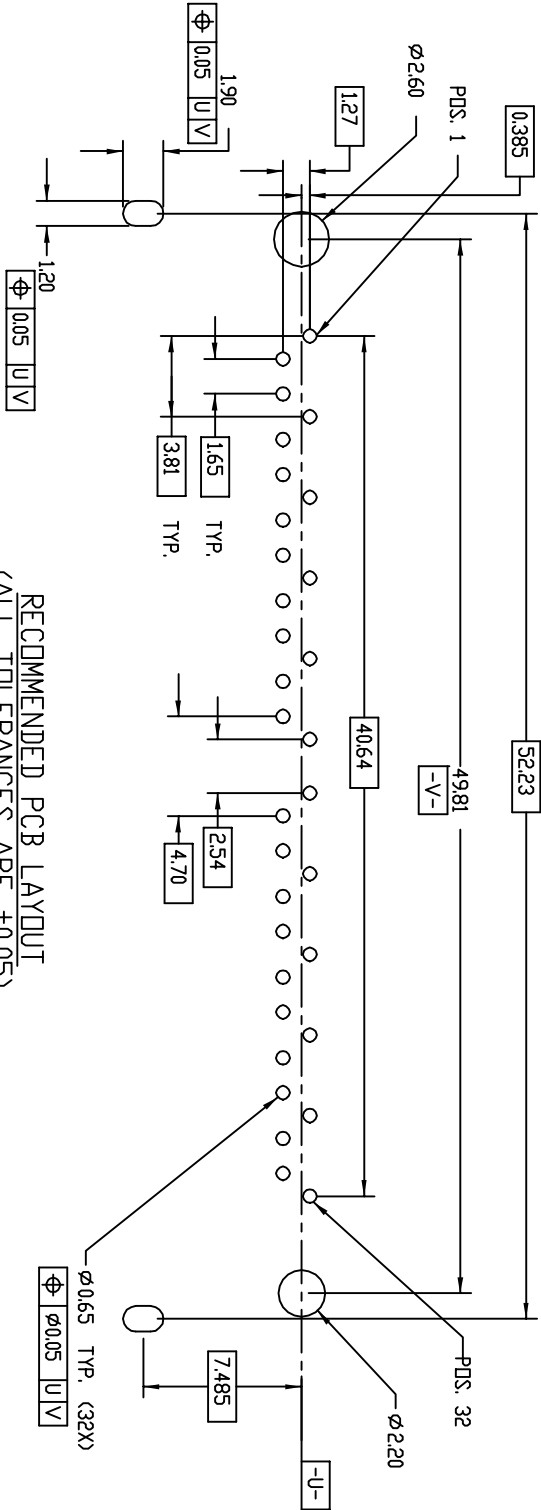
1

2

3

4

PRODUCT NO.	PCB THICKNESS	DIMENSION 'A'	DIMENSION 'B'	DIMENSION 'C'	COLOR
10035104-001LF	1.57±0.10	2.54±0.20	2.75±0.20	3.20±0.10	BLACK
10035104-002LF	3.18±0.10	4.06±0.20	4.35±0.20	4.80±0.10	BLACK
10035104-003LF	1.57±0.10	2.54±0.20	2.75±0.20	1.55±0.10	BLACK
10035104-004LF	3.18±0.10	4.06±0.20	4.35±0.20	1.55±0.10	BLACK
10035104-101LF	1.57±0.10	2.54±0.20	2.75±0.20	3.20±0.10	NATURAL



NOTES

1. MATERIAL:
HOUSING: HIGH TEMPERATURE PLASTIC, UL94V-0
CONTACT: COPPER ALLOY
HOLD DOWN: COPPER ALLOY
2. FINISH:
CONTACT: 1.27um MIN NICKEL UNDERPLATE OVERALL,
2.54um MIN TIN (LEAD-FREE) ON SOLDER TAIL,
0.76um MIN GOLD IN CONTACT AREA
3. THIS PRODUCT MEETS EUROPEAN UNION DIRECTIVES AND OTHER COUNTRY REGULATIONS AS DESCRIBED IN GS-22-008
4. THE HOUSING WILL WITHSTAND EXPOSURE TO 260°C PEAK TEMPERATURE FOR 10 SECONDS IN A CONVECTION, INFRARED OR VAPOR PHASE REFLOW OVEN
5. CONTACT WIPE: 207 MIN FOR SIGNAL AND 2.52 MIN FOR GROUND

title	4 LANE R/A	dwg no	10035104	Rev.
catalog no	TH HEADER	CUSTOMER		B
			sheet 2 of 2	