

**PLEASE CHECK WWW.MOLEX.COM FOR LATEST PART INFORMATION**

**Part Number:** [1002205202](#)  
**Status:** **Active**  
**Overview:** [iPass+ HD Interconnect System](#)  
**Description:** Internal iPass+ HD-to-iPass+ HD, 8X Short Body Cable Assembly, 100 Ohms, Right Exit-to-Straight, Controller to Controller, 0.50m Length

**Documents:**

[Drawing \(PDF\)](#) [Packaging Specification PK-100220-5100 \(PDF\)](#)  
[Product Specification 1001890001-000 \(PDF\)](#) [RoHS Certificate of Compliance \(PDF\)](#)

**Agency Certification**

UL E72548

**General**

Product Family Cable Assemblies  
 Series [100220](#)  
 Assembly Configuration Dual Ended Connectors  
 Connector to Connector iPass+ HD-to-iPass+ HD  
 Overview [iPass+ HD Interconnect System](#)  
 Product Name iPass+ HD  
 UPC 887191653631

**Physical**

Cable Length 0.50m  
 Circuits (Loaded) 72  
 Gender Plug/Plug  
 Lock to Mating Part Yes  
 Material - Resin Nylon  
 Number of Rows 4  
 Packaging Type Bag  
 Single Ended No  
 Wire Size AWG 30  
 Wire/Cable Type Shielded Pair, Twinax

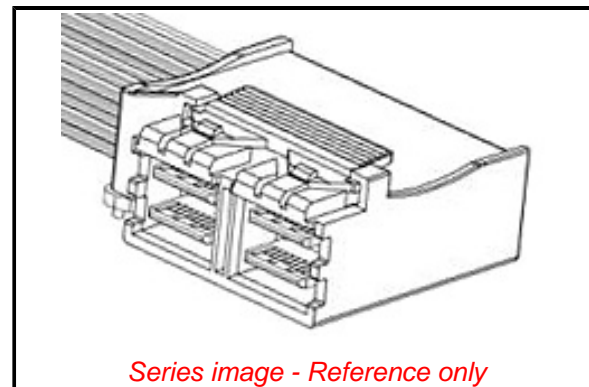
**Electrical**

Current - Maximum per Contact 0.75A  
 Impedance 100Ω  
 Shielded No  
 Voltage - Maximum 48V AC (RMS)/DC

**Material Info**

**Reference - Drawing Numbers**

Packaging Specification PK-100220-5100  
 Product Specification 1001890001-000  
 Sales Drawing 1002205100-000, SD-100220-5100



*Series image - Reference only*

**EU ELV**

**Not Reviewed**

**EU RoHS**

**Not Reviewed**

**REACH SVHC**

Not Reviewed

**Halogen-Free**

**Status**

**Not Reviewed**

For more information, please visit [Contact US](#)

China ROHS

Not Reviewed

ELV

Not Reviewed

RoHS Phthalates

Not Reviewed

**Search Parts in this Series**

[100220 Series](#)

**Mates With**

[76867](#) , [170729](#) , [172466](#)