

PLEASE CHECK WWW.MOLEX.COM FOR LATEST PART INFORMATION

Part Number: [1000130181](#)
Status: **Active**
Overview: T-Path 100-Gbps Connector Solutions
Description: Heat Sink Clip for T-Path Cage

Documents:

[Drawing \(PDF\)](#) [RoHS Certificate of Compliance \(PDF\)](#)
[Packaging Specification PK-100013-0181 \(PDF\)](#) [Product Literature \(PDF\)](#)

General

Product Family	EMI Cages
Series	100003
Application	N/A
Component Type	Clip
Overview	T-Path 100-Gbps Connector Solutions
Product Name	T-Path
UPC	889056468763

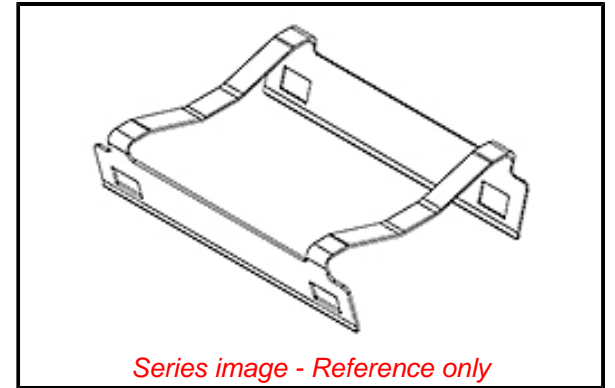
Physical

EMI Panel / Bezel Mount	N/A
Light Pipes per Port	N/A
Material - Metal	Stainless Steel
Net Weight	0.652/g
Orientation	Horizontal
Packaging Type	Tray
Port Configuration	N/A
Rear Legs	N/A
Thermal Height	N/A
Thermal Solutions	N/A

Material Info

Reference - Drawing Numbers

Packaging Specification	PK-100013-0181
Sales Drawing	SD-100013-0170



Series image - Reference only

EU ELV

Compliant

EU RoHS

Compliant

REACH SVHC

Not Contained Per -
D(2020)4578-DC (25
June 2020)

Halogen-Free

Status

Low-Halogen

For more information, please visit [Contact US](#)

China ROHS

ELV

RoHS Phthalates

China RoHS

Green Image

Compliant

Not Contained

Search Parts in this Series

[100003 Series](#)

Use With

T-Path Cage [1726042100](#)