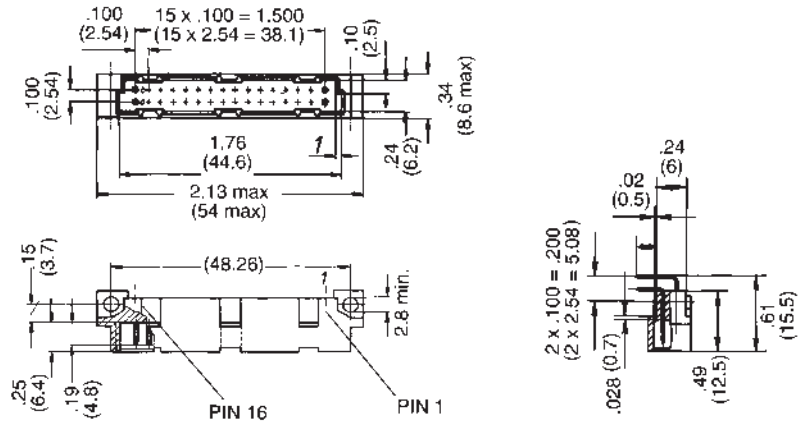
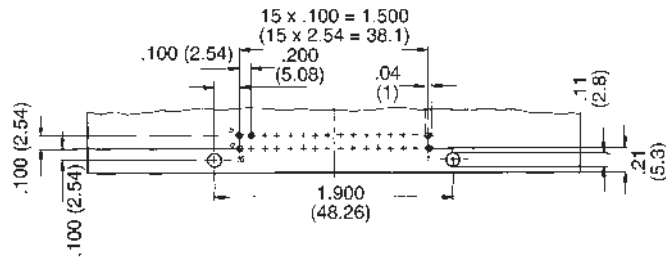


**Type 1/2 B —
Series 100**

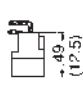
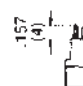
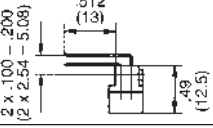
**32 Contact Male Connectors
— Two Row**



Printed Circuit Layout

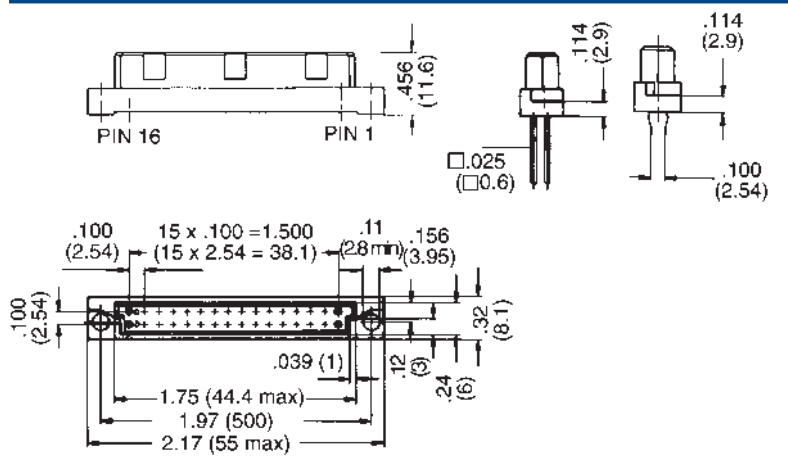


Part Numbers

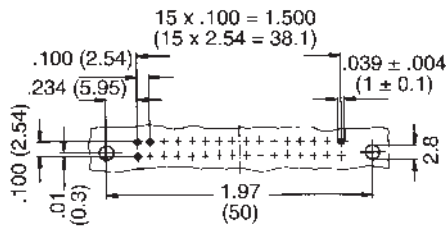
No. of Contacts	Contact Arrangement	Performance Level	Termination Methods		
					
32	Fully equipped	2	100-632-033	100-632-133	100-632-031
		3	100-632-053	100-632-153	100-632-051

**Type 1/2 B —
Series 100**

**32 Contact Female
Connectors — Two Row**



Printed Circuit Layout



Part Numbers

No. of Contacts	Contact Arrangement	Performance Level	Termination Methods				
32	Fully Equipped	2	100-632-431	100-632-432	100-632-433	100-632-533	100-632-633
		3	100-632-451	100-632-452	100-632-453	100-632-553	100-632-653