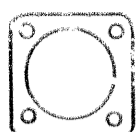
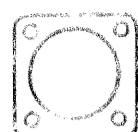


ACCESSORIES.

(NOT PART OF STANDARD ASSEMBLY)

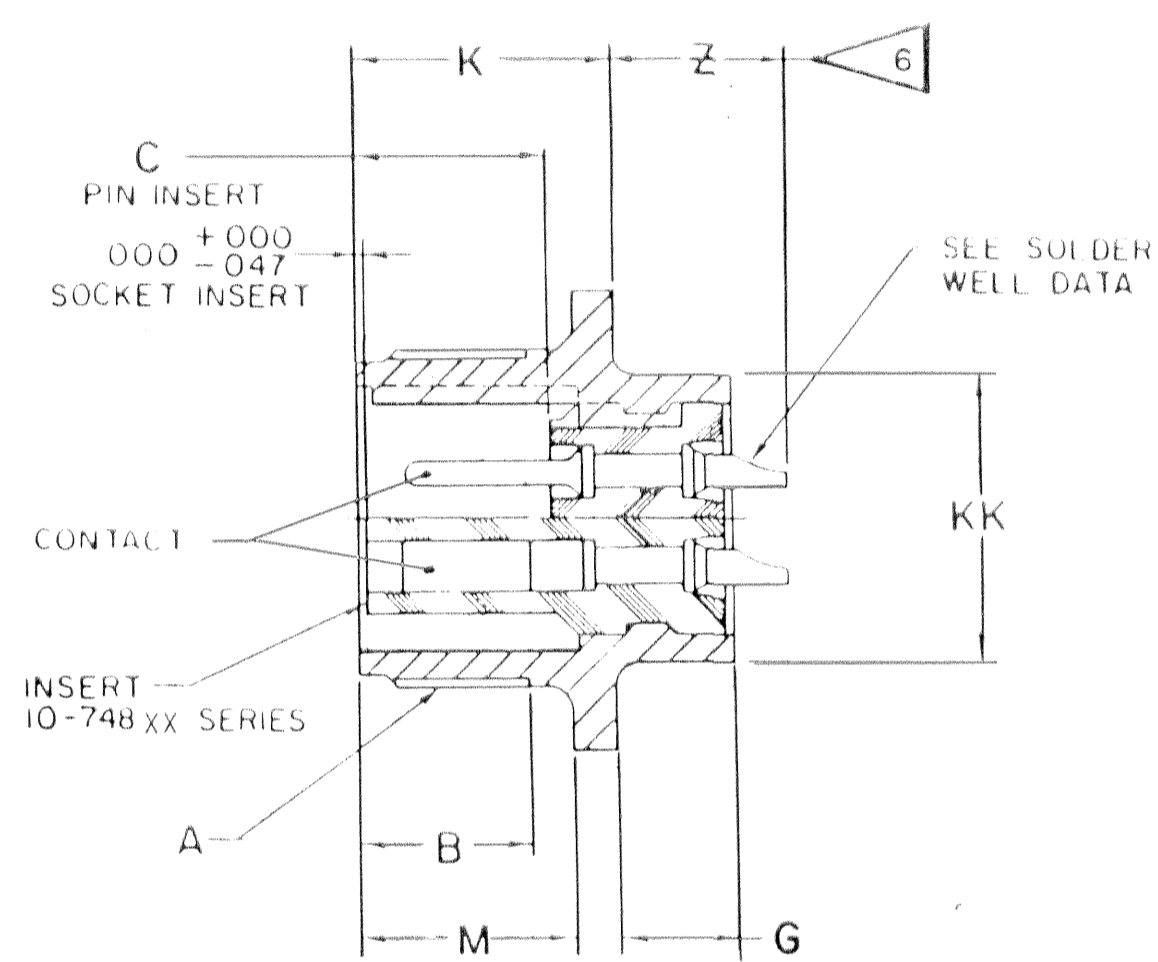
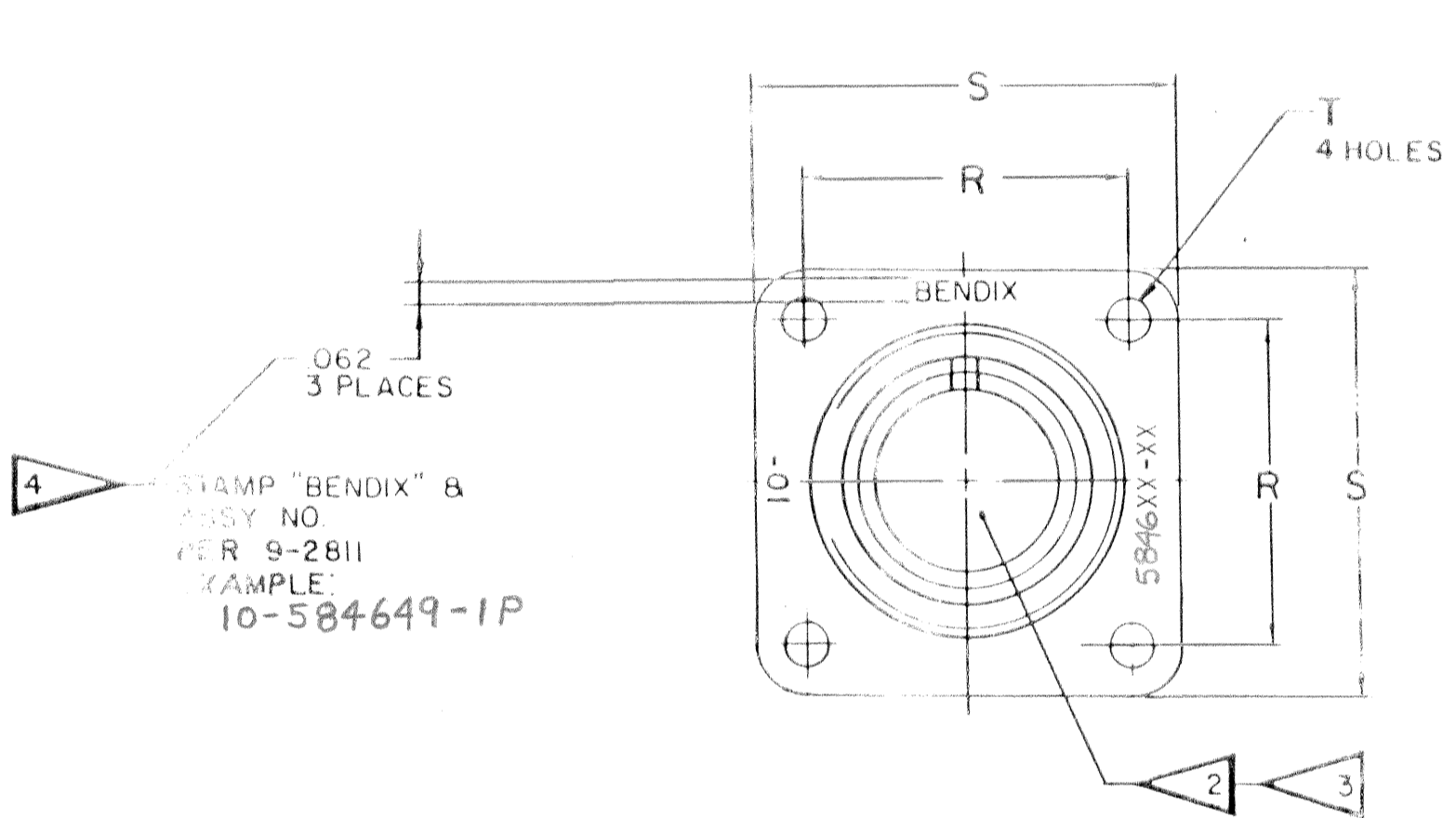


FLANGE GASKET,
PLAIN
10-40450-()



FLANGE GASKET,
SHIELDING
10-40450-()S

70094-285		REVISIONS		
ZONE	LTR	DESCRIPTION	DATE	APPROVED
	A			
	B	(CLTD) SEE CHANGE NOTICE ECN: 28711	6-23-94 [INITIALED]	JCB



STAMP "BENDIX" &
ASSY NO.
PER 9-2811
EXAMPLE:
10-584649-1P

SEE SHEET 2
NOTES:

FIND NO.	QTY REQD	CODE IDENT	PART NUMBER	DESCRIPTION	NOTE REF
PARTS LIST					
UNLESS OTHERWISE SPECIFIED LINEAR DIMENSIONS ARE IN INCHES. TOLERANCES: .XXX ± .010, .XX ± .03, .X ± .1, ANGLES ± 2°. OTHER STANDARDS PER 9-3800 AND MIL-D-1000. NOTE REF			SIGNATURES PREPARED <i>D. ALGER</i> CHECKED <i>J. DeMatteis</i> MATERIAL	DATES 5-31-94 6-10-94	The Bendix Corporation Electrical Components Division Sidney, New York
MATERIAL SPEC	PROCESS SPEC TEST 9-3106-1 ASSY 9-3238-1 9-2437 9-2811	APPROVED <i>Al Davis</i>	6-16-94	TITLE: CONNECTOR, ELECTRICAL RECEPTACLE, TYPE SM-RC)FB BLACK ZINC ALLOY PLATE	
		SIZE	CODE IDENT NO.	10-584640 THRU 10-584659	
		SCALE	WT	10-523180/99	SHEET 1 OF 2

10-584640/659

