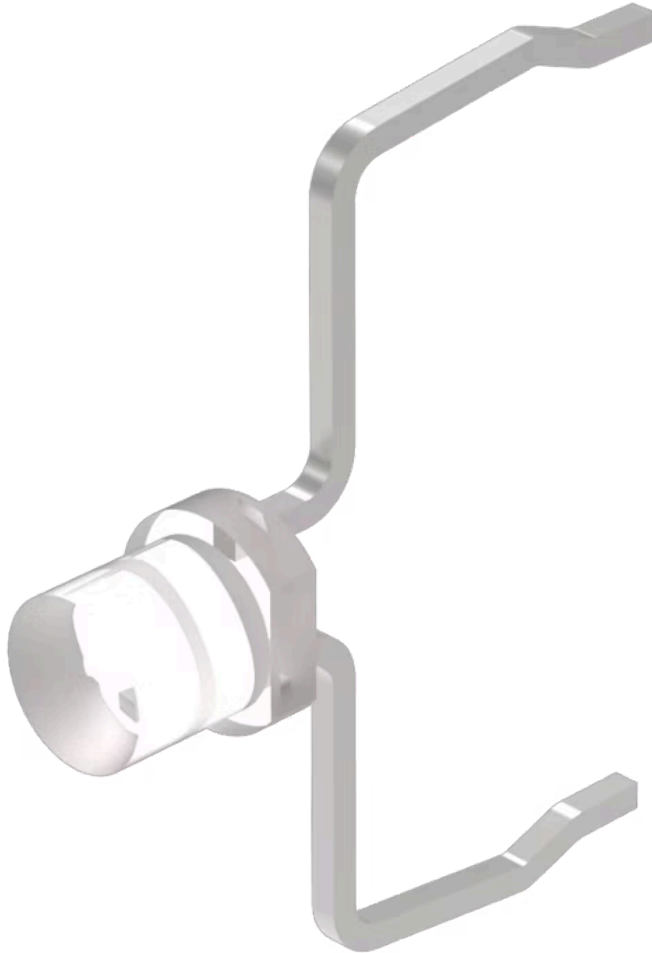


# Single-LED

10-  
2603.3178S



<https://eao.com/p/10-2603.3178S>

Your product:

---



## 10-2603.3178S Single-LED

### OPERATING-/INDICATION PART

**Illumination colour:** White

### ELECTRICAL CHARACTERISTICS

**Operating voltage:** 2 - 6,00 V DC

**Lumi. Intensity:** 500 mcd

### MECHANICAL CHARATERISTIC

**Weight:** 0.001 kg

### OTHER

**Kind of illumination:** Single-LED

**Short Description:** Single-LED, T1 Bi-Pin, White, 2 - 6,00 V DC

**Hints:** The customer has to decide what series resistor shall be used to the LED, Luminosity and wave length variations caused by LED manufacturing processes may cause slight differences regarding the illumination. The customer has to decide what resistor shall be used to the LED

**Wiring diagrams:**



Component layouts:

