

## RAFIX 16 F - Signal indicator, flush lens

1.65.126.301/1000



### General information

Form of lens	flat lens
Color of lens	transparent colorless
Form of collar	square
Form of collar	square
Color of collar	black

### Dimensions

Collar dimensions	24.9 x 24.9 mm
Overall height	1.7 mm
Mounting depth with contact block	50 mm
Key grid	30 x 30 mm
Mounting hole	23.1 x 23.1 mm

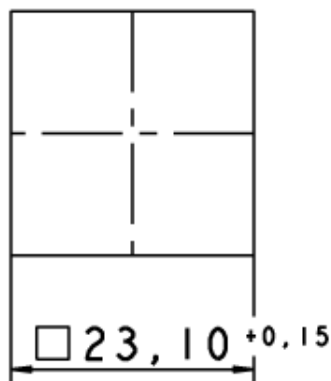
### Mechanical design

Mounting	ring nut
Contact function	-
Illumination	yes

### Other specifications

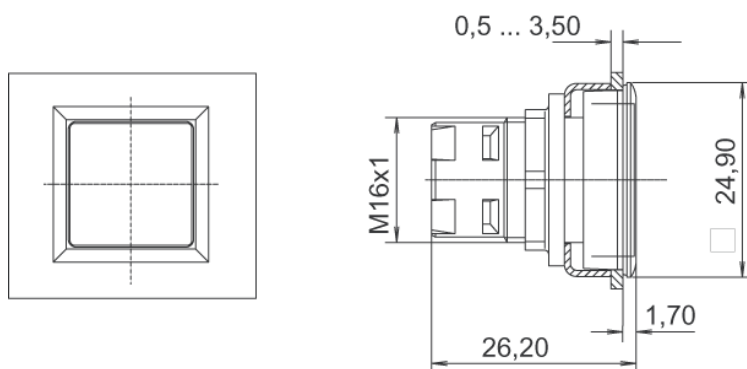
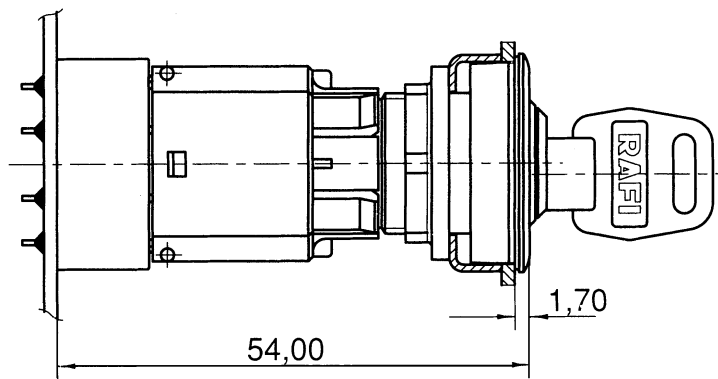
Operating life (operations)	- cycle
Degree of protection from front side	IP65 (DIN EN 60529)
Operation temperature min.	-25 °C
Ambient temp. operating max. without lamp / LED	- °C
Ambient temp. operating max. with lamp /LED	+55 °C
Storage temperature min.	-40 °C
Storage temperature max.	+85 °C
Environmental resistance	acc. to IEC 60068-2-14, -30, -33 and -78
ROHS compliant	yes
REACH compliant	yes

### Panel cut-out



Technical data are approximate and intended solely for general orientation in the selection of a product.  
Subject to modifications and errors. Images and other graphics may only be similar.  
For more information, refer to [www.rafi.de](http://www.rafi.de) chapter Imprint / Data Protection.

with PCB plug-in socket



operating element and contact block

