

LUMOTAST FK - Signal lamps, round collar, housing

1.65.121.936/0000

Do not press in lens in disassembled condition.

A notch on the lamp socket identifies the cathode side.

Please include the desired lens in your order.



General information

Form of lens	flat lens
Form of collar	round

Dimensions

Mounting depth with connector	30.7 mm
Mounting depth with plug-in socket	33.4 mm
Mounting hole	16.2 mm

Mechanical design

Mounting	click quick connection
Terminals	Stiftleiste 4-pol./Steckfassung
Lamp socket	Bi-Pin T1 / T1¼
Lamp	filament lamp / LED

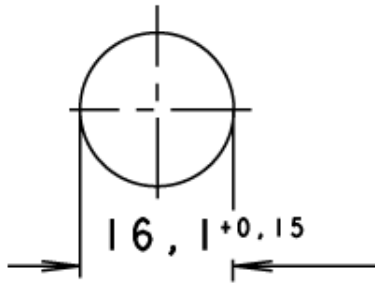
Electrical characteristics

Voltage limit max.	24 V
Power limit max.	0.7 W

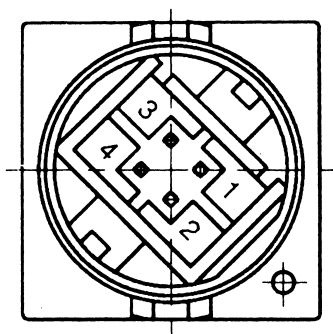
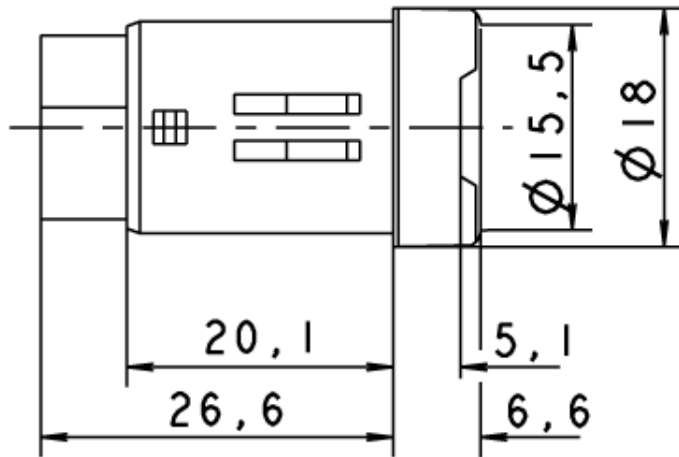
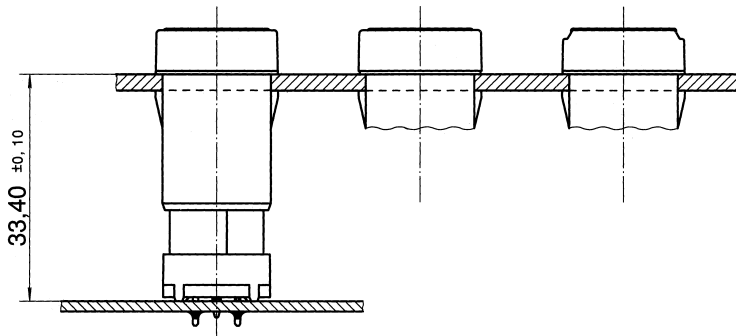
Other specifications

Degree of protection from front side	IP65 (DIN EN 60529)
Weight	5 g
Operation temperature min.	-25 °C
Ambient temp. operating max.	+55 °C
Storage temperature min.	-40 °C
Storage temperature max.	+80 °C
Environmental resistance	acc. to IEC 60068-2-14, -30, -33 and -78
ROHS compliant	yes
REACH compliant	yes

Panel cut-out



with plug-in socket for PCB



with socket connector

