

Signal lamps with lamp socket - BA 9s (MBC/MCC), 16.2 mm, housing

1.63.004.091/0000

Please include the desired lens and LED / lamp in your order.



General information

Form of lens	round protruding
Diameter of collar	20 mm

Dimensions

Overall height	15 mm
Mounting depth	45.8 mm
Mounting hole	16.2 mm

Mechanical design

Mounting	ring nut
Terminals	solder/quick connector 6.3x0.8 / 2x 2.8x0.8mm
Lamp socket	BA 9 s
Lamp	filament lamp

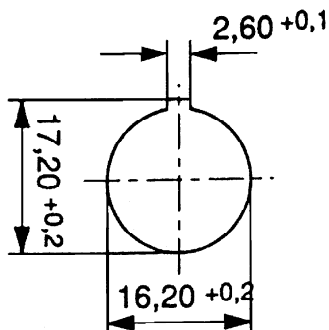
Electrical characteristics

Voltage limit max.	250 V
Power limit max.	2 W

Other specifications

Degree of protection from front side	IP40 (DIN EN 60529)
Weight	10 g
ROHS compliant	yes
REACH compliant	yes

Panel cut-out



Drawing with lens

