

RAFIX 22 QR - Mushroom-headed pushbutton 40 mm, round collar, momentary
1.30.246.502/0100



General information

Actuator	mushroom
Color of mushroom	opaque black
Color of front ring	metal
Form of collar	round

Dimensions

Dimensions of collar	ø 29.8 mm
Overall height	20.1 mm
Mounting depth	56.4 mm
Mounting hole	ø 22.3 mm
Mounting grid	50 x 30 mm

Mechanical design

Mounting	ring nut
Contact function	momentary
Illuminability	no

Mechanical characteristics

Operating force max.	approx. 5 N for 1 switching element
Robustness max.	100 N

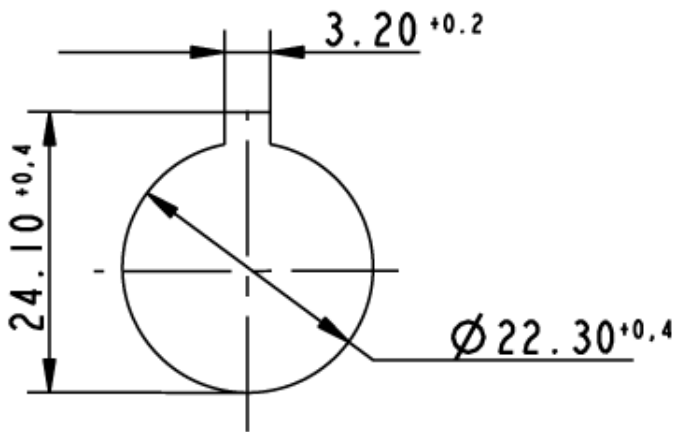
Electrical characteristics

Protection class	-
------------------	---

Other specifications

Operating life (operations)	1,000,000 cycle
Degree of protection from front side	IP65 (DIN EN 60529)
Ambient temp. operating min.	-25 °C
Ambient temp. operating max.	+70 °C
Storage temperature min.	-40 °C
Storage temperature max.	+80 °C
Environmental resistance	acc. to IEC 60068-2-14, -30, -33 and -78
ROHS compliant	yes
REACH compliant	yes

Panel cut-out to IEC 60947-5-1



metal

