

RAFIX 16 F - Pushbutton, illuminated, flush lens**1.30.090.001/1400****General information**

Form of lens	flat lens
Color of lens	transparent yellow
Form of collar	square
Color of collar	black

Dimensions

Collar dimensions	24.9 x 24.9 mm
Overall height	1.9 mm
Mounting depth with contact block	50 mm
Key grid	25 x 25 mm
Mounting hole	23.1 x 23.1 mm

Mechanical design

Mounting	ring nut
Contact function	je nach Schaltelement
Illumination	yes

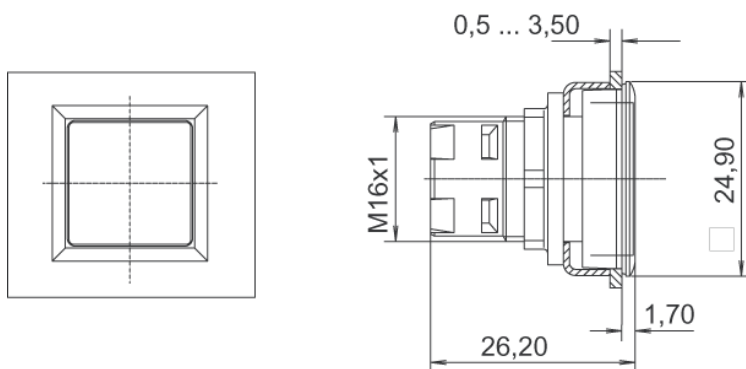
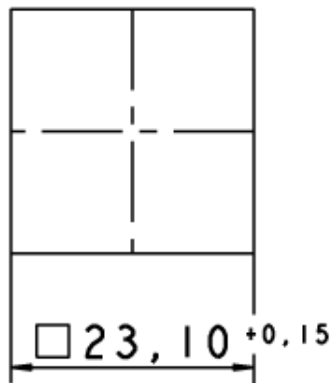
Mechanical characteristics

Robustness max.	100 N
-----------------	-------

Other specifications

Operating life (operations)	2,000,000 cycle
Degree of protection from front side	IP65 (DIN EN 60529)
Operation temperature min.	-25 °C
Ambient temp. operating max. without lamp / LED	+70 °C
Ambient temp. operating max. with lamp /LED	+55 °C
Storage temperature min.	-40 °C
Storage temperature max.	+85 °C
Environmental resistance	acc. to IEC 60068-2-14, -30, -33 and -78
ROHS compliant	yes
REACH compliant	yes

Panel cut-out



operating element and contact block

