

## LUMOTAST 25 - Illuminated pushbutton with flush lens, ring nut fixing, housing

**1.15.150.556/0000**

Note when using LEDs: When the key body is removed, a notch becomes visible at the edge of the LED recess. This notch marks the cathode side (-).



Please include the desired lens in your order.

### General information

|                |           |
|----------------|-----------|
| Form of lens   | flat lens |
| Form of collar | square    |

### Dimensions

|                                    |         |
|------------------------------------|---------|
| Length of collar                   | 25 mm   |
| Width of collar                    | 25 mm   |
| Overall height                     | 7.1 mm  |
| Mounting depth with connector      | 30.7 mm |
| Mounting depth with plug-in socket | 33.4 mm |
| Mounting hole                      | 16.2 mm |

### Mechanical design

|                     |                                       |
|---------------------|---------------------------------------|
| Mounting            | ring nut fixing                       |
| Terminals           | pin connector 4-pole / plug-in socket |
| Contact system      | snap-action contact                   |
| Contact function    | momentary                             |
| Contact arrangement | 1 NO                                  |
| Contact materials   | Au                                    |
| Illumination        | yes                                   |
| Lamp socket         | Bi-Pin T1 / T1¼                       |

### Mechanical characteristics

|                      |       |
|----------------------|-------|
| Operating force max. | 6 N   |
| Operating travel     | 3 mm  |
| Switching travel     | 2 mm  |
| Robustness max.      | 100 N |

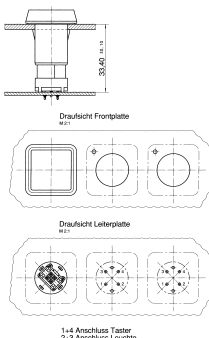
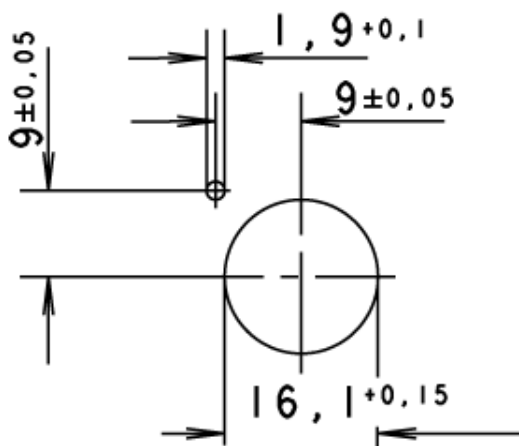
### Electrical characteristics

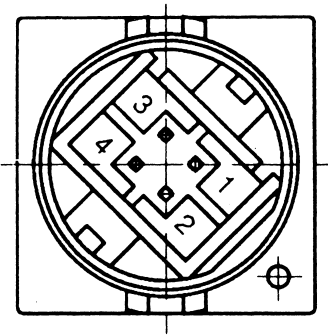
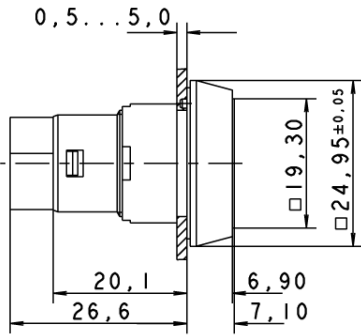
|                                      |         |
|--------------------------------------|---------|
| Rated voltage AC/DC max.             | 35 V    |
| Rated voltage AC/DC min.             | 0.02 V  |
| Rated current AC/DC max.             | 100 mA  |
| Rated current AC/DC min.             | 0.01 mA |
| Contact resistance acc. to life max. | 100 mΩ  |
| Bouncing time max.                   | 5 ms    |

**Other specifications**

|   |  |
|---|--|
| Operating life (operations)                     | 1,000,000 cycle                          |
| Degree of protection from front side            | IP65 (DIN EN 60529)                      |
| Ambient temp. operating max. without lamp / LED | -25 °C                                   |
| Ambient temp. operating max. without lamp / LED | +70 °C                                   |
| Ambient temp. operating min. with lamp /LED     | -25 °C                                   |
| Ambient temp. operating max. with lamp /LED     | +55 °C                                   |
| Storage temperature min.                        | -40 °C                                   |
| Storage temperature max.                        | +80 °C                                   |
| Environmental resistance                        | acc. to IEC 60068-2-14, -30, -33 and -78 |
| Weight  | 7 g                                      |
| ROHS compliant                                  | yes                                      |
| REACH compliant                                 | yes                                      |

Panel cut-out





with socket connector

