

## MICON 5 - THT Standard

### 1.14.002.116/0000



#### Dimensions

Length of housing	6.4 mm
Width of housing	5.1 mm
Overall height	3.85 mm

#### Mechanical design

Mounting	soldering
Terminals	THT
Contact system	snap-action contact
Contact arrangement	1 NO
Contact materials	Au
Illumination	no

#### Mechanical characteristics

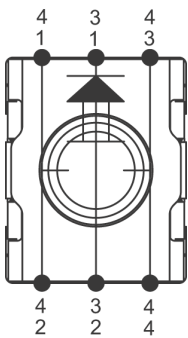
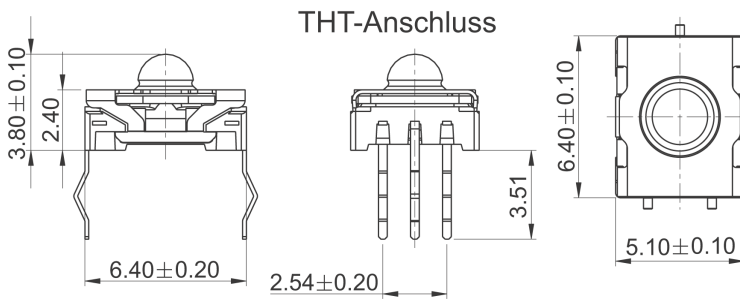
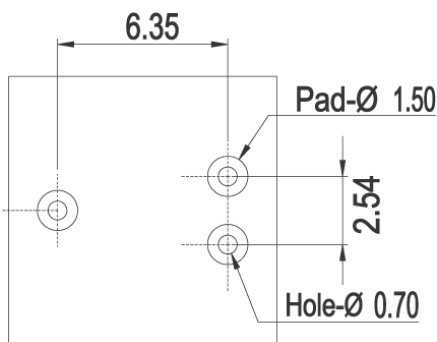
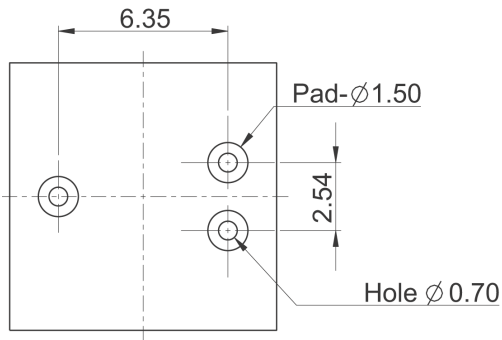
Operating force F1 ( $\pm 20\%$ )	5.5 N
Switching travel S2 ( $\pm 0.15$ mm)	0.9 mm

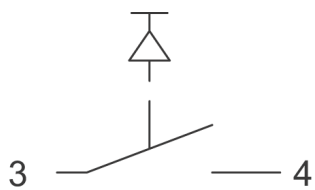
#### Electrical characteristics

Rated voltage min.	0.02 V
Rated voltage max.	35 V
Rated current min.	0.01 mA
Rated current max.	100 mA
Rated power max. (ohmic load)	1 W
Contact resistance when new	? 100 m $\Omega$
Rated voltage resistance AC	250 V
Insulation resistance	10 <sup>9</sup> $\Omega$

#### Other specifications

Ambient temp. operating min.	-40 °C
Ambient temp. operating max.	+90 °C
Resistance to environment	IEC 60068-2 -14,-30,-33, -78
Operating life (test force)	1,000,000 (8 N)
Solder heat resistance / Solderability	DIN EN 60068-2-20
Flammability of materials	UL 94 V1
Packing	tubes à 102 pieces
Produkt type	N
ROHS compliant	yes
REACH compliant	yes





Schaltzeichen  
nach IEC  
617

