

1-900325-9 ✓ ACTIVE

AMP | Econoseal, Econoseal III - 070

TE Internal #: 1-900325-9

Automotive Seals & Cavity Plugs, Single Wire Seal (SWS), Cavity Diameter .173 in [4.4 mm], Silicone, Poor, 50, Contains Lubricant, Econoseal III - 070

[View on TE.com >](#)



Connectors > Automotive Connectors > Automotive Seals & Cavity Plugs



Connector Seal Type: **Single Wire Seal (SWS)**

Cavity Diameter: **4.4 mm [.173 in]**

Accepts Cable Insulation Diameter Range: **2 – 2.3 mm [.079 – .09 in]**

Seal Material: **Silicone**

Resistance to Hydrocarbons: **Poor**

Features

Product Type Features

Connector Seal Type	Single Wire Seal (SWS)
---------------------	------------------------

Body Features

Seal Material	Silicone
Primary Product Color	Purple

Dimensions

Cavity Diameter	4.4 mm[.173 in]
Accepts Cable Insulation Diameter Range	2 – 2.3 mm[.079 – .09 in]

Usage Conditions

Operating Temperature (Max)	65 °C, 70 °C, 75 °C, 80 °C, 85 °C, 90 °C, 100 °C, 105 °C, 110 °C, 120 °C, 125 °C, 130 °C [149 °F][158 °F][167 °F][176 °F][185 °F][194 °F][212 °F][221 °F][230 °F][248 °F][257 °F][266 °F]
Operating Temperature Range	-40 – 130 °C[-40 – 266 °F]

Industry Standards

UL Flammability Rating	None
------------------------	------

Other

Resistance to Hydrocarbons	Poor
Shore A Hardness	50



Contains Lubricant	Yes
--------------------	-----

Product Compliance


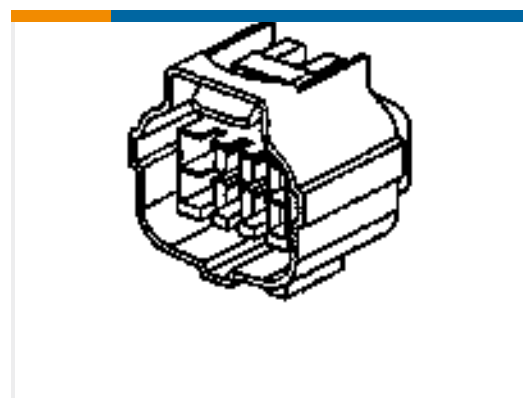
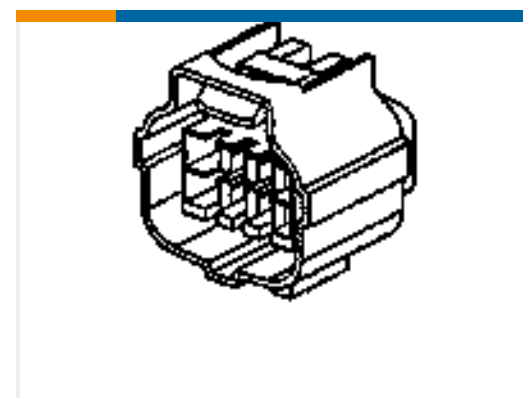
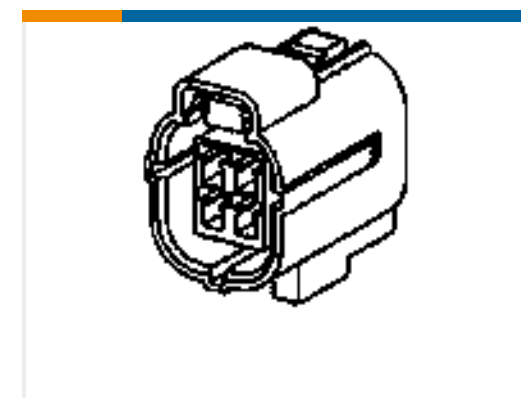
[For compliance documentation, visit the product page on TE.com>](#)

EU RoHS Directive 2011/65/EU	Compliant
EU ELV Directive 2000/53/EC	Compliant
China RoHS 2 Directive MIIT Order No 32, 2016	No Restricted Materials Above Threshold
EU REACH Regulation (EC) No. 1907/2006	Current ECHA Candidate List: JUNE 2022 (224) Candidate List Declared Against: JUNE 2022 (224) Does not contain REACH SVHC
Halogen Content	Low Halogen - Br, Cl, F, I < 900 ppm per homogenous material. Also BFR/CFR/PVC Free
Solder Process Capability	Not applicable for solder process capability

Product Compliance Disclaimer

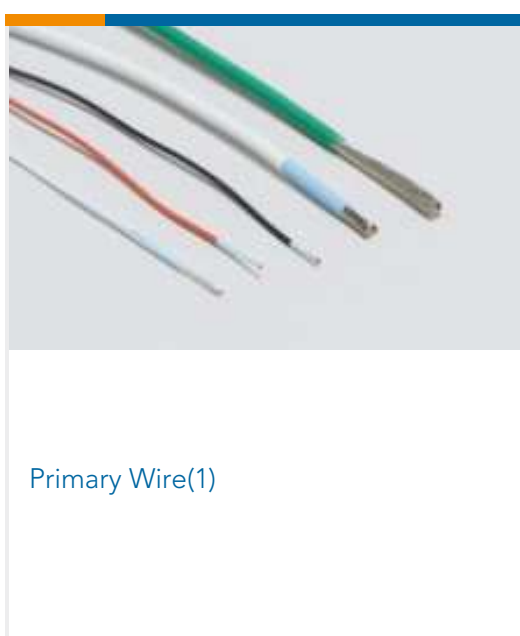
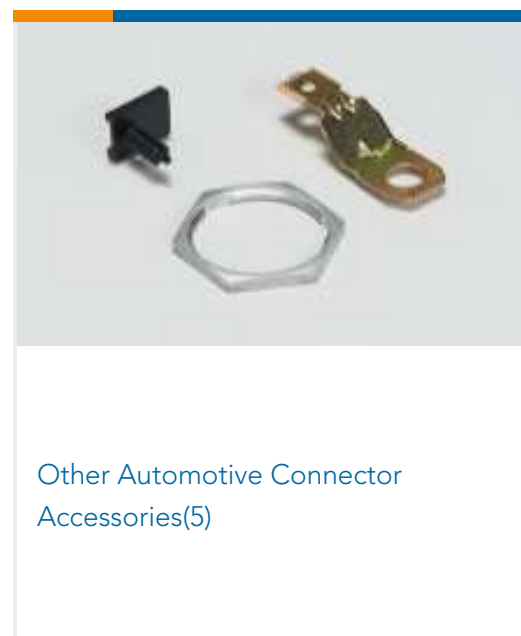
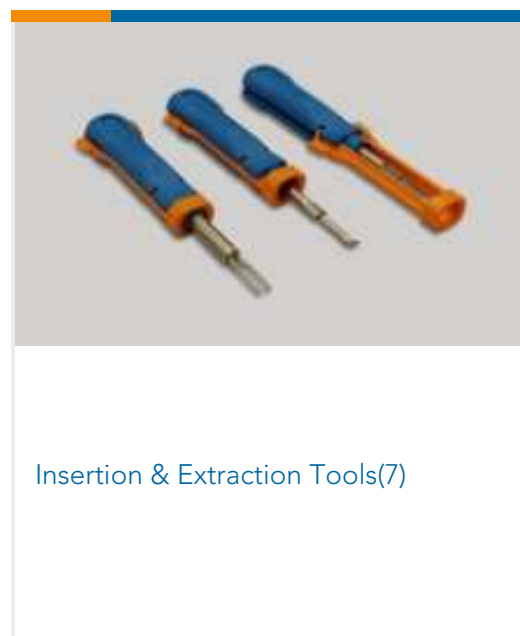
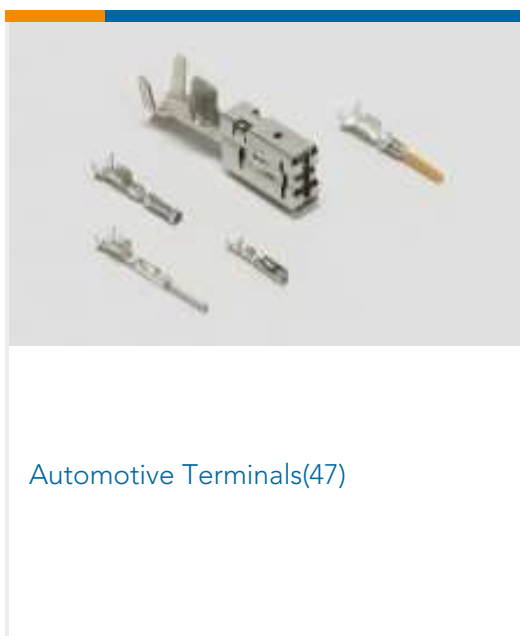
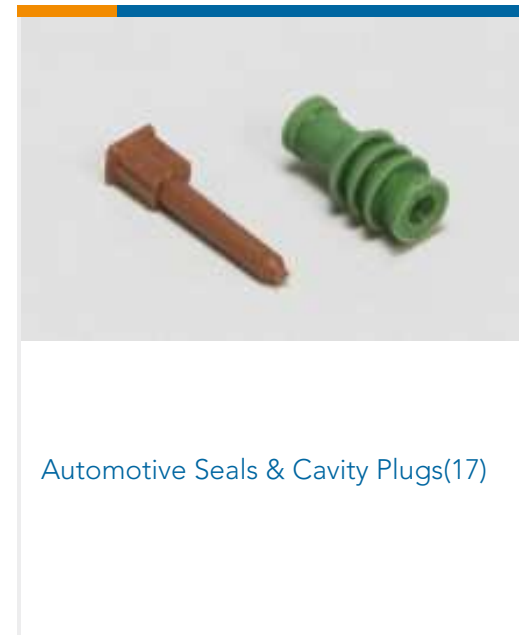
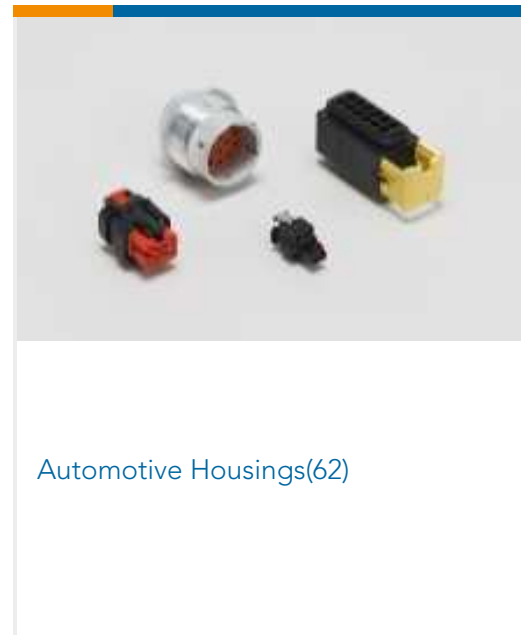
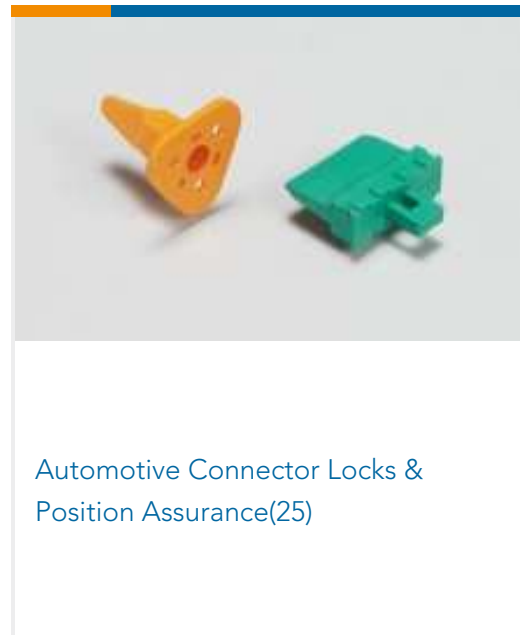
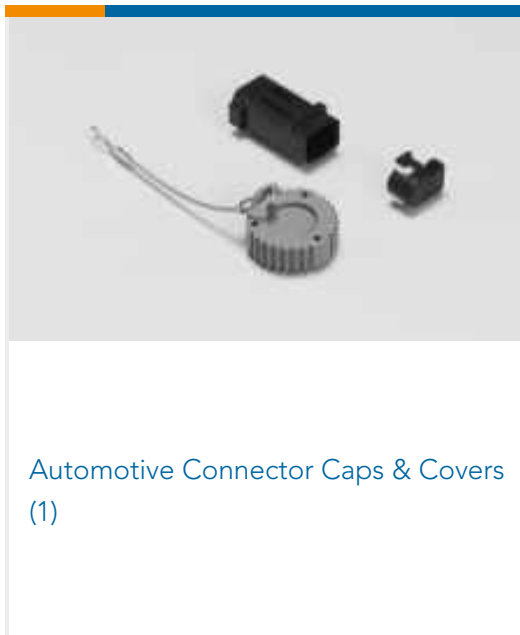
This information is provided based on reasonable inquiry of our suppliers and represents our current actual knowledge based on the information they provided. This information is subject to change. The part numbers that TE has identified as EU RoHS compliant have a maximum concentration of 0.1% by weight in homogenous materials for lead, hexavalent chromium, mercury, PBB, PBDE, DBP, BBP, DEHP, DIBP, and 0.01% for cadmium, or qualify for an exemption to these limits as defined in the Annexes of Directive 2011/65/EU (RoHS2). Finished electrical and electronic equipment products will be CE marked as required by Directive 2011/65/EU. Components may not be CE marked. Additionally, the part numbers that TE has identified as EU ELV compliant have a maximum concentration of 0.1% by weight in homogenous materials for lead, hexavalent chromium, and mercury, and 0.01% for cadmium, or qualify for an exemption to these limits as defined in the Annexes of Directive 2000/53/EC (ELV). Regarding the REACH Regulation, the information TE provides on SVHC in articles for this part number is based on the latest European Chemicals Agency (ECHA) 'Guidance on requirements for substances in articles' posted at this URL: <https://echa.europa.eu/guidance-documents/guidance-on-reach>

Compatible Parts

 <p>TE Part # CAT-EC7491-CH8172 ECONOSEAL, CONNECTOR HOUSING</p>	 <p>TE Part # 174982-2 8 POS PLUG MKII+</p>	 <p>TE Part # 174661-2 12 POS PLUG MK II+</p>	 <p>TE Part # 174262-2 ECONO-J MK-2 PLUG ASSY 6P</p>
---	---	--	---



Also in the Series | Econoseal



Also in the Series | Econoseal III - 070



Automotive Seals & Cavity Plugs(3)

Customers Also Bought



TE Part #1123338-1
TH/.025 CONNECTOR SYSTEM,
HOUSING



TE Part #174046-2
MULTILOCK, CONNECTOR HOUSING



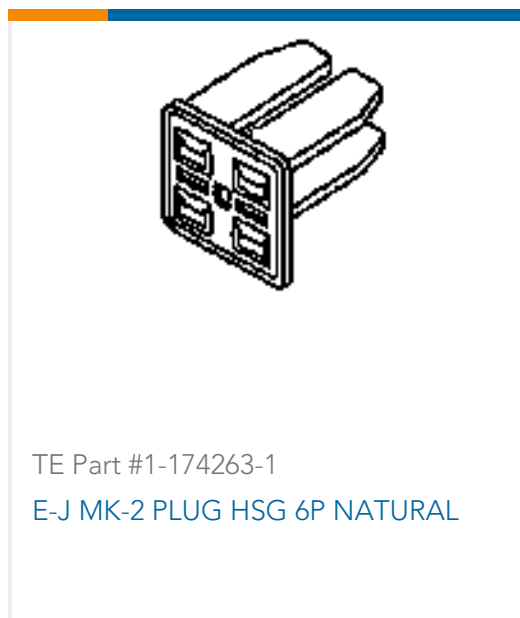
TE Part #170887-3
IS SHUR PLG 5 DIA NAT



TE Part #172516-1
M.I.C.MARK II 17P CAP W/F



TE Part #172517-1
21P CAP HSG MK-II W/FLANGE



TE Part #1-174263-1
E-J MK-2 PLUG HSG 6P NATURAL

Documents

Product Drawings

070 RUBBER PLUG M

English

CAD Files

3D PDF

English

Customer View Model

[ENG_CVM_1-900325-9_O.3d_igs.zip](#)

English

Customer View Model

[ENG_CVM_1-900325-9_O.3d_stp.zip](#)

English

Customer View Model

[ENG_CVM_1-900325-9_O.2d_dxf.zip](#)

English

By downloading the CAD file I accept and agree to the [Terms and Conditions](#) of use.



Product Specifications

[Econoseal J Series Connectors <Mark II\(+\)> .070 Series Contact](#)

Japanese

[Application Specification](#)

Japanese