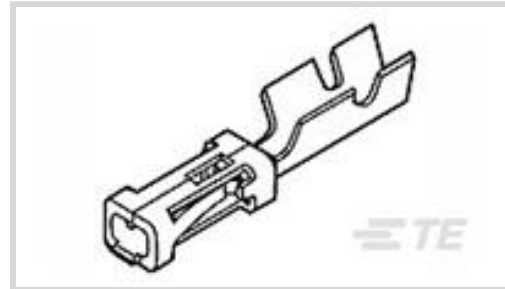




Connectors > PCB Connectors > Wire-to-Board Connectors > Wire-to-Board Connector Contacts



Contact Type: **Socket**

Connector System: **Wire-to-Board**

Wire Size: .12 – .4 mm<sup>2</sup>

## Features

### Product Type Features

Applied Pressure	Standard
Connector System	Wire-to-Board
Connector & Contact Terminates To	Wire & Cable

### Configuration Features

Compatible With Wire & Cable Type	Discrete Wire
-----------------------------------	---------------

### Electrical Characteristics

Termination Resistance	12 mΩ
Insulation Resistance	5000 MΩ
Dielectric Withstanding Voltage (Max)	750 V
Operating Voltage	250 VAC

### Contact Features

Wire Contact Termination Area Plating Material	30 μin
Wire Contact Termination Area Plating Material	Tin-Lead, Tin-Lead over Nickel
Contact Base Material	Copper-Tin-Phosphor Bronze
Contact Type	Socket
Contact Mating Area Plating Material	Gold
Contact Current Rating (Max)	3 A

### Termination Features

Termination Method to Wire & Cable	Crimp
------------------------------------	-------



### Mechanical Attachment

Wire Insulation Support	With
-------------------------	------

### Dimensions

Accepts Wire Insulation Diameter Range	1.55 mm [.061 in]
Wire Size	.12 – .4 mm <sup>2</sup>

### Usage Conditions

Operating Temperature Range	-65 – 105 °C [-85 – 221 °F]
-----------------------------	-----------------------------

### Operation/Application

Circuit Application	Power & Signal
---------------------	----------------

### Industry Standards

Approved Standards	CSA LR7189, UL E28476
--------------------	-----------------------

### Packaging Features

Packaging Quantity	12500
Packaging Method	Reel

### Other

Comment	(*) For use with Model "K" machines. Call the Technical Assistance Center (1-800-522-6752) for any tooling questions.
---------	---

### Product Compliance

[For compliance documentation, visit the product page on TE.com>](#)

EU RoHS Directive 2011/65/EU	Not Compliant
EU ELV Directive 2000/53/EC	Not Compliant
China RoHS 2 Directive MIIT Order No 32, 2016	Restricted Materials Above Threshold
EU REACH Regulation (EC) No. 1907/2006	Current ECHA Candidate List: JUN 2020 (209) Candidate List Declared Against: JUN 2020 (209) Pb (13% in Component Part) <b>Article Safe Usage Statements:</b> Do not eat, drink or smoke when using this product. Wash thoroughly after handling. Recycle if possible and dispose of the article by following all applicable governmental regulations relevant to your geographic location.
Halogen Content	Low Halogen - Br, Cl, F, I < 900 ppm per homogenous material. Also BFR/CFR/PVC Free
Solder Process Capability	Not applicable for solder process capability

Product Compliance Disclaimer

This information is provided based on reasonable inquiry of our suppliers and represents our current actual knowledge based on the information they provided. This information is subject to change. The part numbers that TE has identified as EU RoHS compliant have a maximum concentration of 0.1% by weight in homogenous materials for lead, hexavalent chromium, mercury, PBB, PBDE, DBP, BBP, DEHP, DIBP, and 0.01% for cadmium, or qualify for an exemption to these limits as defined in the Annexes of Directive 2011/65/EU (RoHS2). Finished electrical and electronic equipment products will be CE marked as required by Directive 2011/65/EU. Components may not be CE marked. Additionally, the part numbers that TE has identified as EU ELV compliant have a maximum concentration of 0.1% by weight in homogenous materials for lead, hexavalent chromium, and mercury, and 0.01% for cadmium, or qualify for an exemption to these limits as defined in the Annexes of Directive 2000/53/EC (ELV). Regarding the REACH Regulation, the information TE provides on SVHC in articles for this part number is based on the latest European Chemicals Agency (ECHA) 'Guidance on requirements for substances in articles' posted at this URL: <https://echa.europa.eu/guidance-documents/guidance-on-reach>

### Compatible Parts



TE Model / Part # 2151307-1  
OCEAN\_2.0\_APPLICATOR-S-042F062O



**KIT**  
REPRESENTATION ONLY

TE Model / Part # 7-2151307-7  
OCEAN\_2.0\_SPARE\_PART\_KIT-042F062O




TE Model / Part # 2-2151307-1  
OCEAN\_2.0\_APPLICATOR-S-042F062O

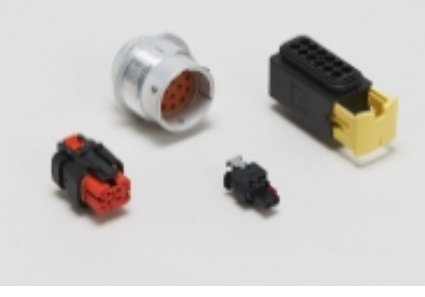


TE Model / Part # 2151307-2  
OCEAN\_2.0\_APPLICATOR-S-042F062OA

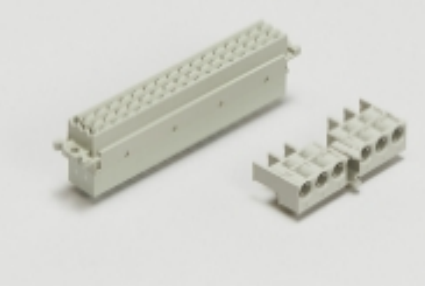
### Also in the Series | AMPMODU IV/V




Automotive, Truck, Bus, & Off-Road Headers(2)



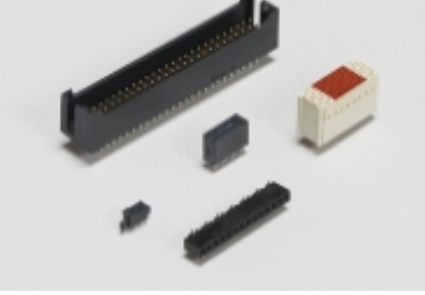
Automotive, Truck, Bus, & Off-Road Housings(4)



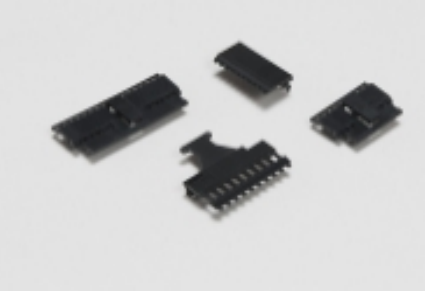
Backplane Connector Housings(1)



Board-to-Board Connector Contacts(6)



Board-to-Board Headers & Receptacles(788)



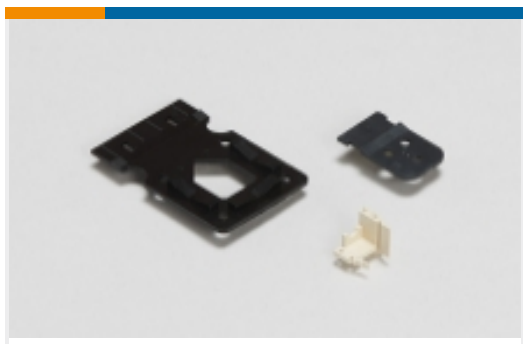
PCB Connector Covers(15)



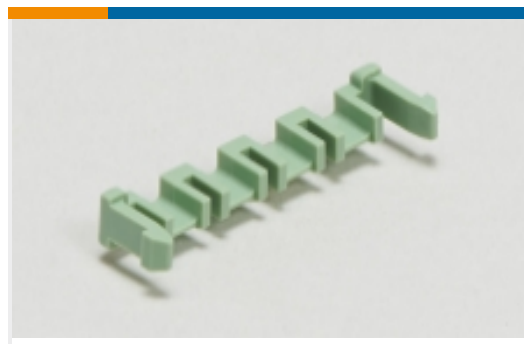
PCB Connector Keying(6)



PCB Connector Mounting(1)



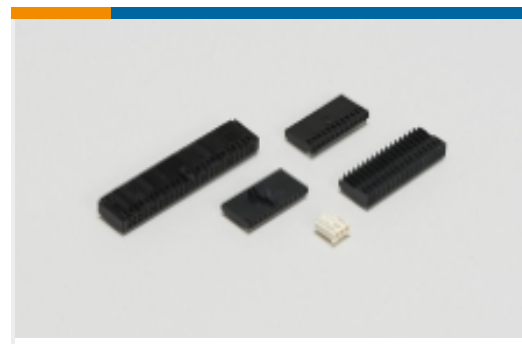
PCB Connector Strain Relief(2)



PCB Latches, Locks & Retainers(10)



Rectangular Connector Housings(2)



Wire-to-Board Connector Assemblies & Housings(450)



Wire-to-Board Connector Contacts (317)

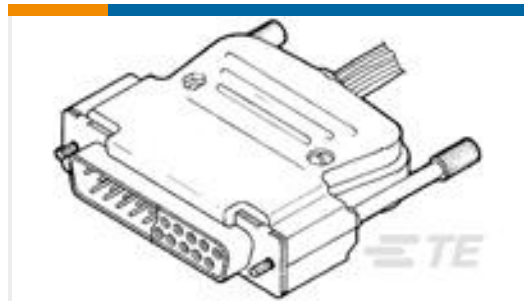


Wire-to-Board Headers & Receptacles (8)

## Customers Also Bought



TE Model / Part #5225398-8  
BNC JCK DUAL CRMP RG179,187



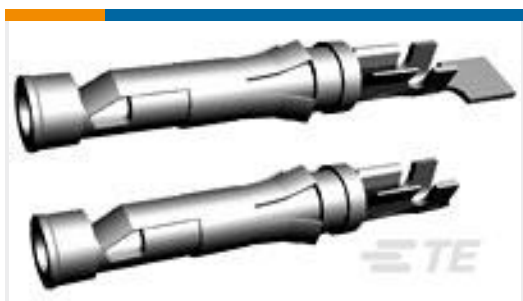
TE Model / Part #5745122-2  
STR REL ASSY 15 POS SZ 2 AMPLI



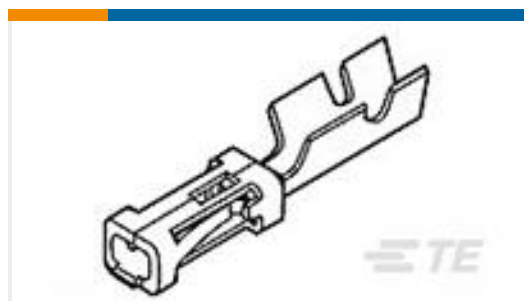
TE Model / Part #34159  
TERMINAL,PG R 16-14 6



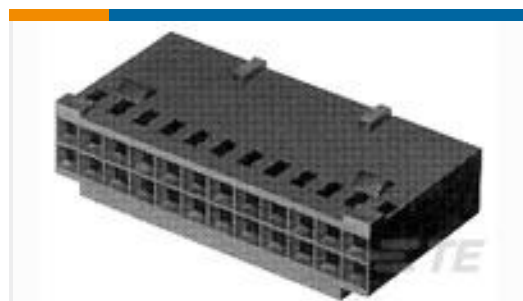
TE Model / Part #1-794609-1  
PIN CONT 26-30 15 GOLD STRIP



TE Model / Part #66104-1  
III+ SKT,24-20,30AU>10,STRIP



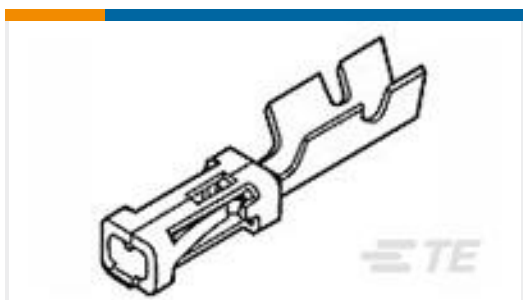
TE Model / Part #87666-2  
MOD IV RECP PLTD 30 SEL



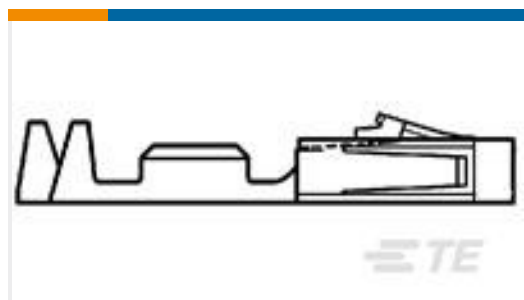
TE Model / Part #1-87631-1  
16 MODIV HSG COMP DR .100 POL



TE Model / Part #7-361511-8  
RNF-100-1/8-CL-STK



TE Model / Part #1-87523-8  
MOD IV RECP PLTD 30 DPLX



TE Model / Part #104481-4  
SHORT POINT CONT 30 DPLX STMPD

## Documents



## Product Drawings

### MOD IV RECP PLTD 30 DPLX

English

---

## CAD Files

### 3D PDF

3D

#### Customer View Model

[ENG\\_CVM\\_CVM\\_1-87756-7\\_AH.2d\\_dxf.zip](#)

English

#### Customer View Model

[ENG\\_CVM\\_CVM\\_1-87756-7\\_AH.3d\\_igs.zip](#)

English

#### Customer View Model

[ENG\\_CVM\\_CVM\\_1-87756-7\\_AH.3d\\_stp.zip](#)

English

By downloading the CAD file I accept and agree to the [Terms and Conditions](#) of use.

---

## Product Specifications

### Application Specification

English

---

## Product Environmental Compliance

[MD\\_1-87756-7\\_03192018733\\_dmtec](#)

English

[MD\\_1-87756-7\\_03192018733\\_dmtec](#)

English