



Connectors > PCB Connectors > Card Edge Connectors > Standard Edge Connectors



Number of Positions: 15

Centerline (Pitch): 3.18 mm [.125 in]

Number of Dual Positions: 15

Number of Rows: 2

Primary Product Color: **Black**

Features

Product Type Features

Connector & Housing Type	Receptacle
Connector & Contact Terminates To	Printed Circuit Board

Configuration Features

Number of Positions	15
Number of Dual Positions	15
Number of Rows	2
Connector Contact Load Condition	Fully Loaded
PCB Mount Orientation	Vertical

Electrical Characteristics

Operating Voltage	400 VAC
-------------------	---------

Body Features

Primary Product Color	Black
-----------------------	-------

Contact Features

Contact Retention Within Housing	Without
PCB Contact Termination Area Plating Material Thickness	2.54 μm[100 μin]
Contact Type	Socket
Contact Mating Area Plating Material Thickness	.76 μm
Contact Mating Area Plating Material	Gold
PCB Contact Termination Area Plating Material Finish	Bright
PCB Contact Termination Area Plating Material	Tin-Lead



Contact Base Material	Copper Alloy
-----------------------	--------------

Contact Current Rating (Max)	3 A
------------------------------	-----

Termination Features

Termination Post & Tail Length	4.06 mm[.16 in]
--------------------------------	-----------------

Termination Method to Printed Circuit Board	Through Hole - Solder
---	-----------------------

Mechanical Attachment

Mating Retention	Without
------------------	---------

Mating Alignment	Without
------------------	---------

PCB Mount Alignment	Without
---------------------	---------

PCB Mount Retention	With
---------------------	------

Connector Mounting Type	Board Mount
-------------------------	-------------

Housing Features

Centerline (Pitch)	3.18 mm[.125 in]
--------------------	------------------

Housing Material	Thermoplastic
------------------	---------------

Dimensions

Card Slot Depth	7.62 mm[.3 in]
-----------------	----------------

Connector Height	5.49 mm
------------------	---------

Row-to-Row Spacing	6.35 mm[.25 in]
--------------------	-----------------

Usage Conditions

Operating Temperature Range	-55 – 125 °C[-67 – 257 °F]
-----------------------------	----------------------------

Operation/Application

Circuit Application	Signal
---------------------	--------

Industry Standards

UL Flammability Rating	UL 94V-0
------------------------	----------

Packaging Features

Packaging Quantity	50
--------------------	----

Packaging Method	Package
------------------	---------

Product Compliance

[For compliance documentation, visit the product page on TE.com>](#)

EU RoHS Directive 2011/65/EU	Compliant
------------------------------	-----------

EU ELV Directive 2000/53/EC

Compliant with Exemptions

China RoHS 2 Directive MIIT Order No 32, 2016

No Restricted Materials Above Threshold

EU REACH Regulation (EC) No. 1907/2006

Current ECHA Candidate List: JAN 2023 (233)

Candidate List Declared Against: DEC 2010 (44)

SVHC > Threshold:
Not Yet Reviewed

Halogen Content

Low Halogen - Br, Cl, F, I < 900 ppm per homogenous material. Also BFR/CFR/PVC Free

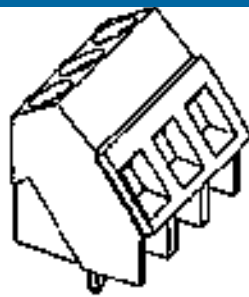
Solder Process Capability

Wave solder capable to 240°C

Product Compliance Disclaimer

This information is provided based on reasonable inquiry of our suppliers and represents our current actual knowledge based on the information they provided. This information is subject to change. The part numbers that TE has identified as EU RoHS compliant have a maximum concentration of 0.1% by weight in homogenous materials for lead, hexavalent chromium, mercury, PBB, PBDE, DBP, BBP, DEHP, DIBP, and 0.01% for cadmium, or qualify for an exemption to these limits as defined in the Annexes of Directive 2011/65/EU (RoHS2). Finished electrical and electronic equipment products will be CE marked as required by Directive 2011/65/EU. Components may not be CE marked. Additionally, the part numbers that TE has identified as EU ELV compliant have a maximum concentration of 0.1% by weight in homogenous materials for lead, hexavalent chromium, and mercury, and 0.01% for cadmium, or qualify for an exemption to these limits as defined in the Annexes of Directive 2000/53/EC (ELV). Regarding the REACH Regulation, the information TE provides on SVHC in articles for this part number is based on the latest European Chemicals Agency (ECHA) 'Guidance on requirements for substances in articles' posted at this URL: <https://echa.europa.eu/guidance-documents/guidance-on-reach>

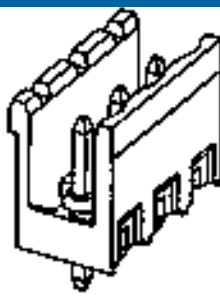
Customers Also Bought



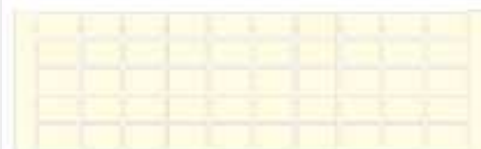
TE Part #796689-5
TERMI-BLOK PCB MOUNT 5P.



TE Part #7-2176414-4
7W STD M/OX 5% 22K



TE Part #282824-4
TERMI-BLOK HEADER, ASSY90 4P.5




TE Part #1SNA230002R0000
RC55 1->10 (X10) HORIZONTAL



TE Part #1SNA230003R0100
RC55 11->20 (X10) HORIZONTAL



TE Part #1-1355181-6
DUOPLUG2,5GEH 6P 8X



TE Part #3-284932-6
DUOPLUG MKI STD, 6 POS, KEYED 4



TE Part #4-1534796-6
AMP DUOPLUG MARK II CONNECTOR 3-20POS

Documents



CAD Files

3D PDF

3D

Customer View Model

[ENG_CVM_CVM_1-6437268-2_A.2d_dxf.zip](#)

English

Customer View Model

[ENG_CVM_CVM_1-6437268-2_A.3d_igs.zip](#)

English

Customer View Model

[ENG_CVM_CVM_1-6437268-2_A.3d_stp.zip](#)

English

By downloading the CAD file I accept and agree to the [Terms and Conditions](#) of use.

Product Specifications

Product Specification

English