

1-640405-0 Product Details

[Share](#) [Print](#) [Email](#)

Detailed product features are not currently available online.

Product features can often be found by referring to the available documents. [Contact us](#) for information about this product.

No Image Available


OSP UMNL VALVE CONN HSG NATL

 Always EU RoHS/ELV Compliant (Statement of Compliance)

Quick Links

- [▶ Pricing & Availability](#)
- [▶ Search for Tooling](#)
- [▶ Contact Us About This Product](#)

1-640405-0

TE Internal Number: 1-640405-0
 Active

[Add to My Part List](#)

[Buy Product](#)

Documentation & Additional Information

Product Drawings:

- [VALVE CONNECTOR, PIN HOUSING,5 CIRCUIT, UNIVERSAL MA...](#) (PDF, English)

Catalog Pages/Data Sheets:

- None Available

Product Specifications:

- None Available

Application Specifications:

- [Universal MATE-N-LOK Connectors](#) (PDF, English)

Instruction Sheets:

- None Available

CAD Files:

- None Available

[List all Documents](#)

Related Products:

- [Tooling](#)

Corporate Information

[About TE](#)
[Investors](#)
[News Room](#)
[Supplier Portal](#)
[Careers](#)
[Terms & Conditions](#)
[Privacy Policy](#)

Quick Links

[Distributor Inventory](#)
[Product Cross Reference](#)
[Documents & Drawings](#)
[Product Compliance Support Center](#)
[Site Map](#)

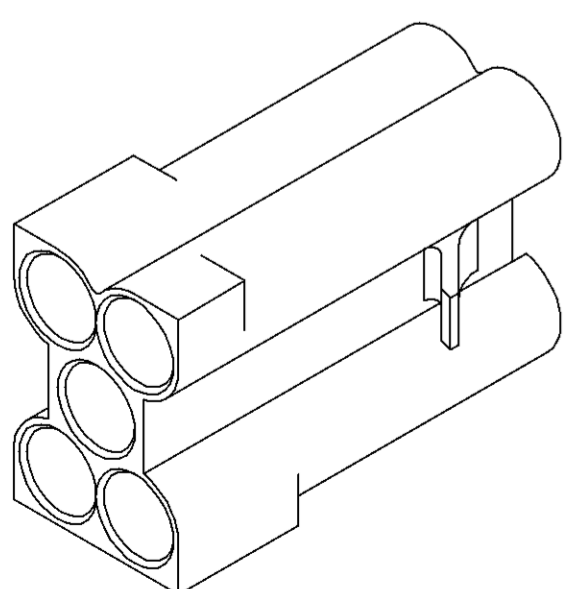
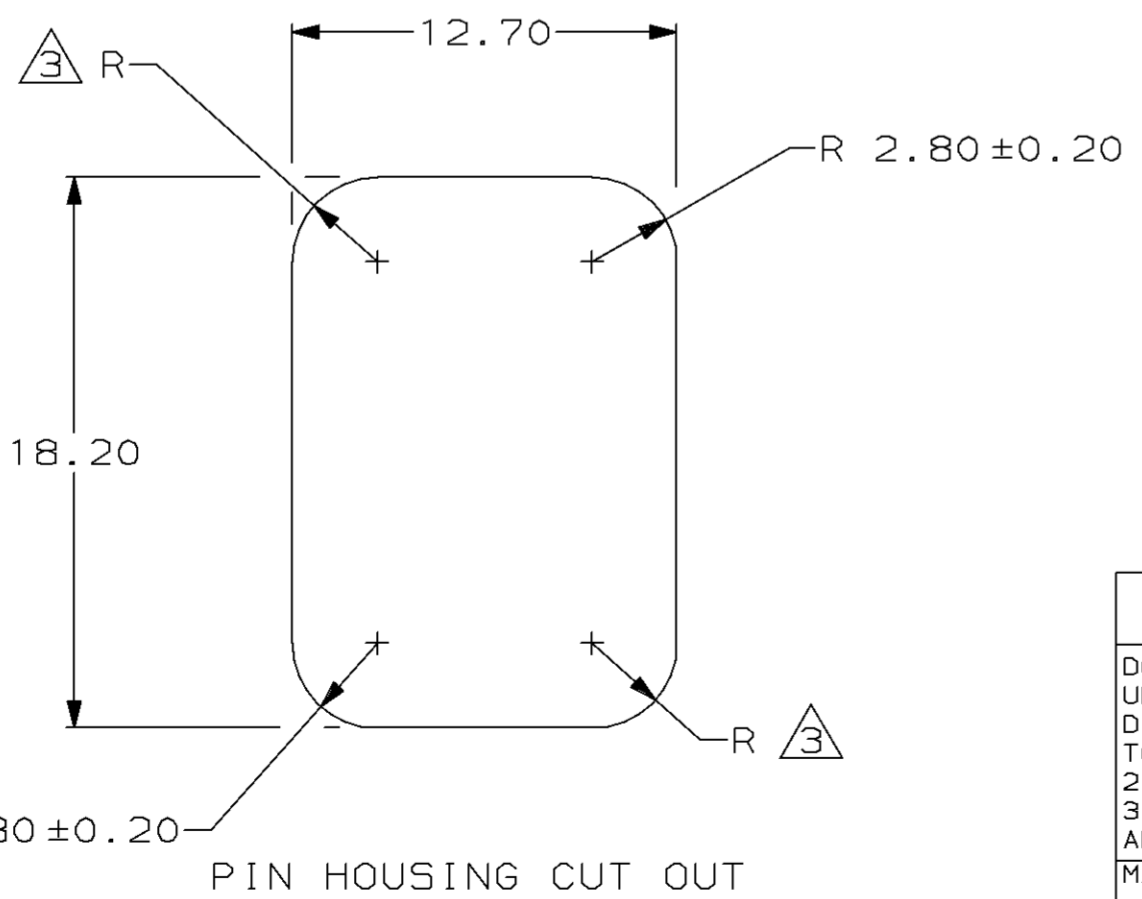
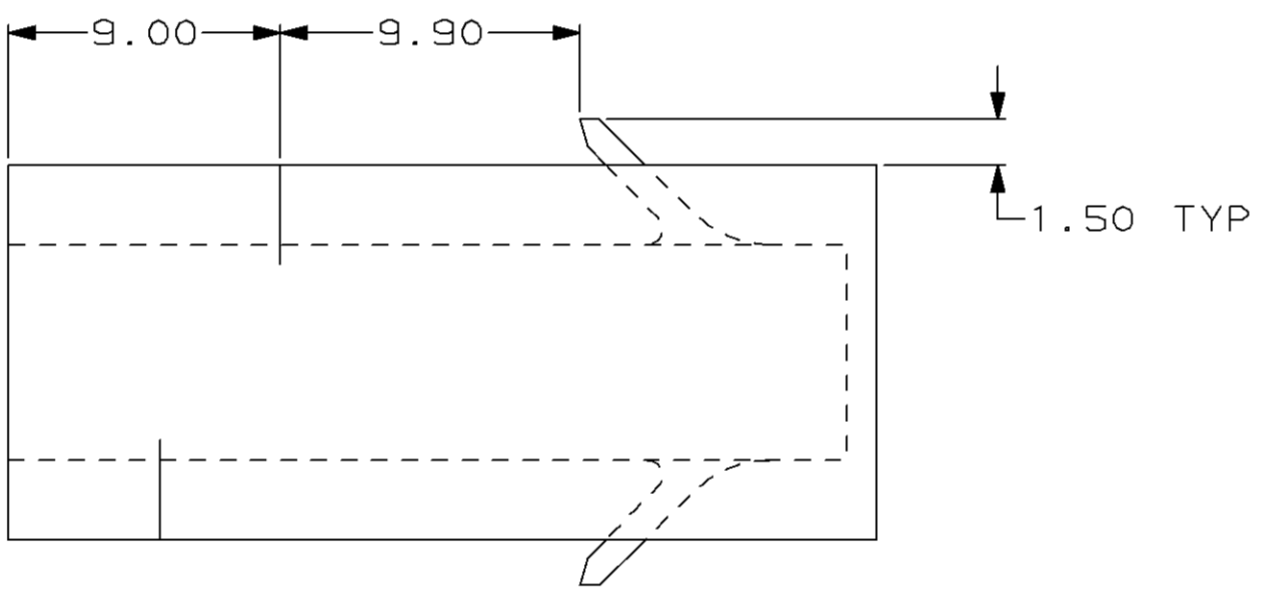
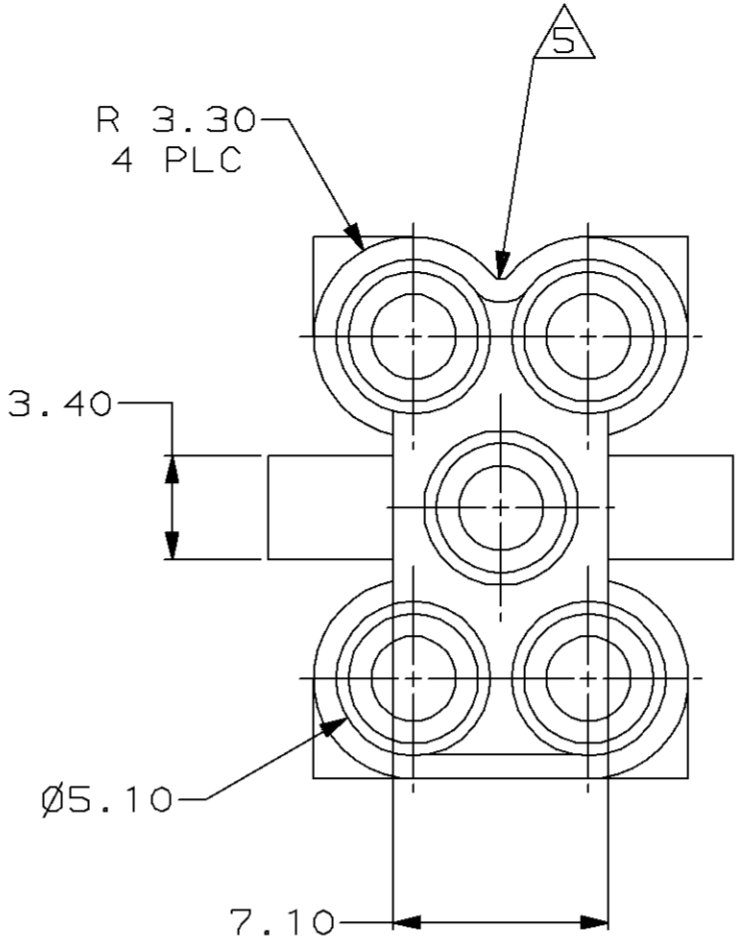
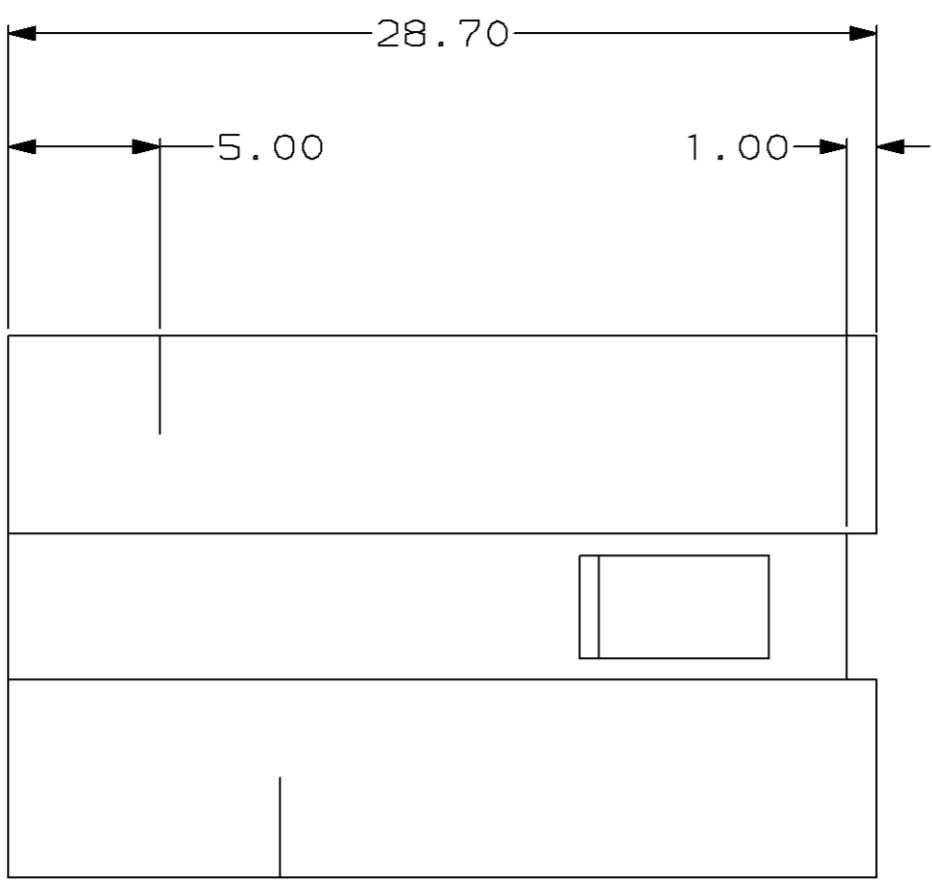
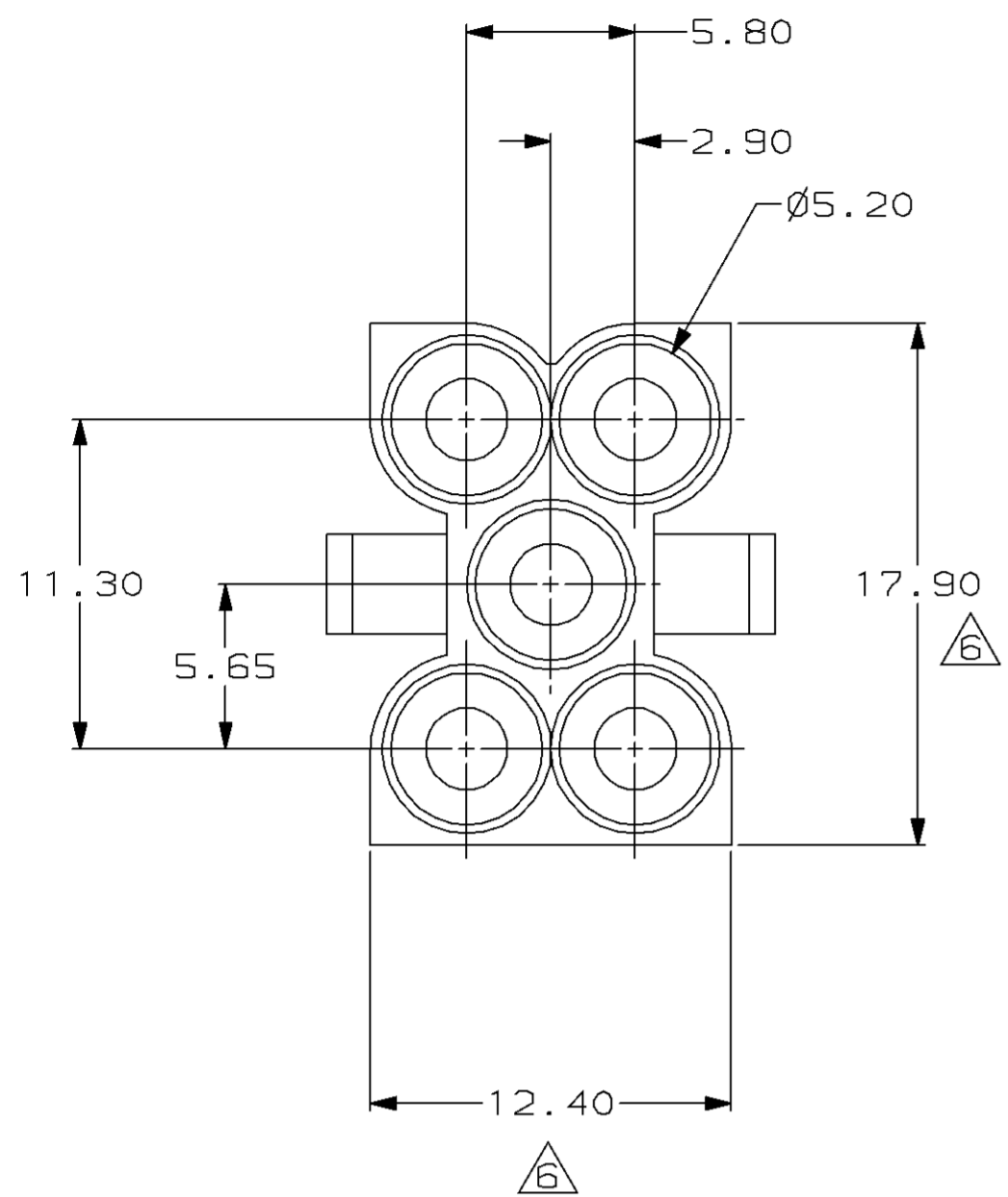
Customer Support

[Email or Chat With Us](#)
[Find a Phone Number](#)
[Knowledge Base](#)
[Manage Your Account](#)

Keep Me Informed



LOC		DIST		REVISIONS				DATE	APPD
CM	53	P	F	ZONE	LTR	DESCRIPTION			
					E	REV PER ECN CM-3994	12-18-92	NG	



THIS HOUSING TO BE INSTALLED IN SUBBASE

METRIC

THIS DRAWING IS A CONTROLLED DOCUMENT FOR AMP INCORPORATED. IT IS SUBJECT TO CHANGE AND THE CONTROLLING ENGINEERING ORGANIZATION SHOULD BE CONTACTED FOR THE LATEST REVISION.

- ACCEPTS MATE-N-LOK™ PIN 350218 IN CORNER CIRCUITS, AND GROUND PIN 350654 IN CENTER CIRCUIT.
 - CENTER GROUND PIN RECESSED 1.50 MIN AT MATING END; 3.10 MIN. AT BACK END. OTHER 4 PINS RECESSED 3.30 MIN AT MATING END; 3.80 MIN AT BACK END.
 - FOR SUB-BASES 1, 2, OR 3 RADII TO BE 0.20 MAX. FOR SUB-BASES 4, 5, OR 6 RADII TO BE 2.80 ± 0.20.
 - CAUTION: THIS CONNECTOR IS NOT POLARIZED. IT HAS BEEN DESIGNED IN ACCORDANCE WITH THE INTERNATIONAL ORGANIZATION FOR STANDARDIZATION DESIGN DEPICTED IN DOCUMENT 5599/III DATED 4-27-77 UNDER RESOLUTION 59 OF ISO/TC 131/SC5/WG 3. INTENDED USE IS AS SHOWN IN FIGURE 1-1.
- △ 5 VISUAL POLARIZING FEATURE.
- △ 6 DIMENSION INDICATED IS AS MOLDED. ADDITIONAL GROWTH DUE TO SUBSEQUENT MOISTURE ABSORPTION MAY OCCUR.

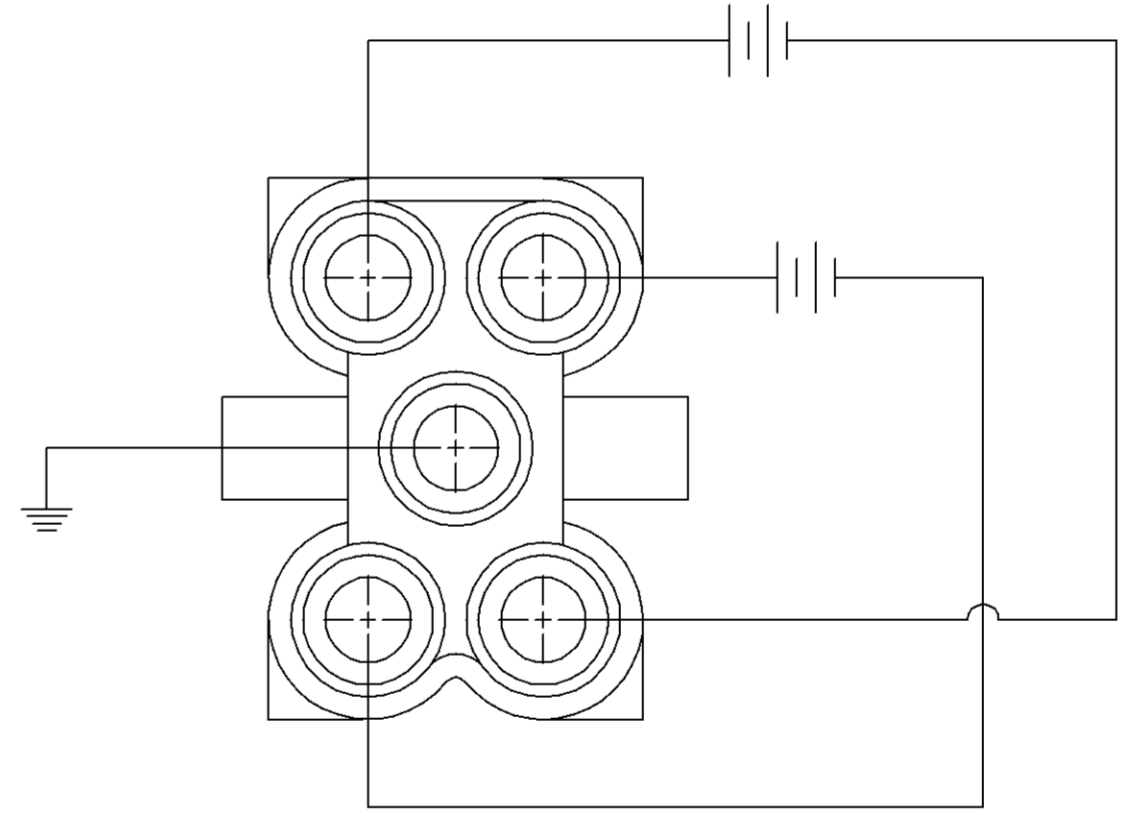


FIGURE 1-1

1-640405-0

PART NO

DO NOT SCALE PRINT. UNLESS SPECIFIED DIMENSIONS IN mm [INCHES] TOLERANCES ON : 2 PLC DEC ± 0.10 3 PLC DEC ± - ANGLES ± -		DR 11-30-92 K. WHITAKER		AMP Incorporated Harrisburg, PA 17105-3608	
MATERIAL NYLON, UL 94V-2 NATURAL		CHK 11-30-92 R. SWING			
FINISH -		APPD 12-11-92 D. SELF		NAME VALVE CONNECTOR, PIN HOUSING, 5 CIRCUIT, UNIVERSAL MATE-N-LOK™	
-		APPD 12-11-92 D. SELF		SIZE CAGE CODE DRAWING NO	
-		PRODUCT SPEC -		C=640405	
-		APPLICATION SPEC -		SCALE 4:1	
-		WEIGHT -		SHEET 1 OF 1	

CUSTOMER DRAWING