

1-520532-3 ✓ ACTIVE

AMPLIMITE

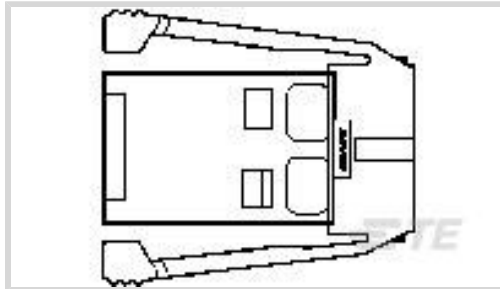
TE Internal #: 1-520532-3

SDL Connectors, Plug, Round Jacketed Cable, 26 AWG / 28 AWG
Wire Size, .08 – .09 mm² / .081 mm² / .12 – .15 mm² Wire Size, Cable-
to-Board, 8 Position

[View on TE.com >](#)



Connectors > Audio & Video Connectors > SDL Connectors



Connector & Housing Type: **Plug**

Compatible With Wire & Cable Type: **Round Jacketed Cable**

Wire Size: .08 – .09 mm², .081 mm², .12 – .15 mm², .129 mm²

Connector System: **Cable-to-Board**

Features

Product Type Features

Receptacle Configuration	Standard
Connector & Housing Type	Plug
Connector System	Cable-to-Board
Connector & Contact Terminates To	Wire & Cable

Configuration Features

Compatible With Wire & Cable Type	Round Jacketed Cable
Number of Positions	8

Body Features

Shield Plating Finish	Bright
Shield Plating Material	Tin
Shield Material	Steel

Contact Features

Contact Mating Area Plating Material	50 μin
Contact Mating Area Plating Material	Gold
Contact Base Material	Copper Alloy
Contact Current Rating (Max)	1.5 A

Mechanical Attachment

PCB Mount Retention	Without
Polarization Code	A

Connector Mounting Type	Cable Mount (Free-Hanging)
-------------------------	----------------------------

Housing Features

Housing Material	Polycarbonate GF
------------------	------------------

Housing Color	Smoke Gray
---------------	------------

Centerline (Pitch)	1.27 mm[.05 in]
--------------------	-----------------

Dimensions

Conductor Insulation Diameter Range	1.14 – 1.27 mm[.045 – .05 in]
-------------------------------------	-------------------------------

Wire Size	.08 – .09 mm ² , .081 mm ² , .12 – .15 mm ² , .129 mm ²
-----------	---

Usage Conditions

Operating Temperature Range	-20 – 80 °C[-4 – 176 °F]
-----------------------------	--------------------------

Operation/Application

Circuit Application	Signal
---------------------	--------

Industry Standards

Compatible With Agency/Standards Products	CSA, UL
---	---------

UL Flammability Rating	UL 94V-2
------------------------	----------

Product Compliance

[For compliance documentation, visit the product page on TE.com>](#)

EU RoHS Directive 2011/65/EU	Compliant
------------------------------	-----------

EU ELV Directive 2000/53/EC	Compliant
-----------------------------	-----------

China RoHS 2 Directive MIIT Order No 32, 2016	No Restricted Materials Above Threshold
---	---

EU REACH Regulation (EC) No. 1907/2006	Current ECHA Candidate List: JUNE 2023 (235) Candidate List Declared Against: JUNE 2023 (235) Does not contain REACH SVHC
--	---

Halogen Content	Not Low Halogen - contains Br or Cl > 900 ppm.
-----------------	--

Solder Process Capability	Not applicable for solder process capability
---------------------------	--

Product Compliance Disclaimer

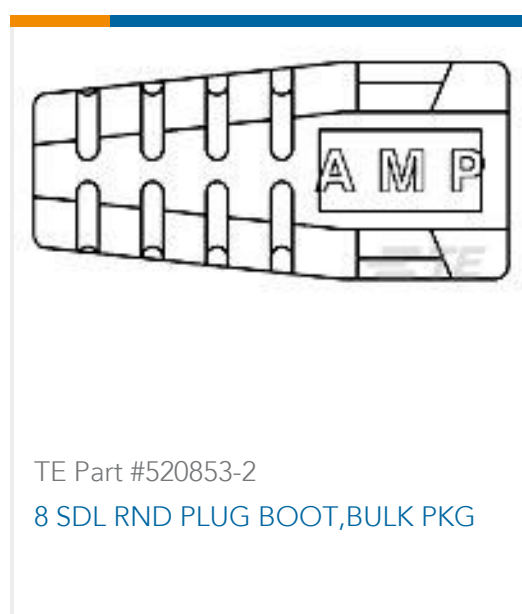
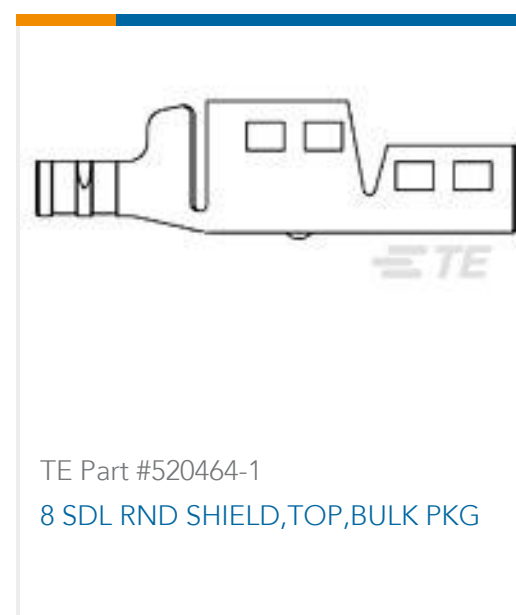
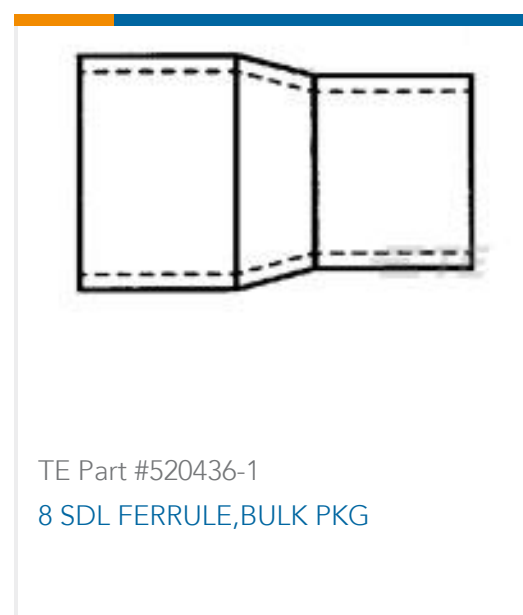
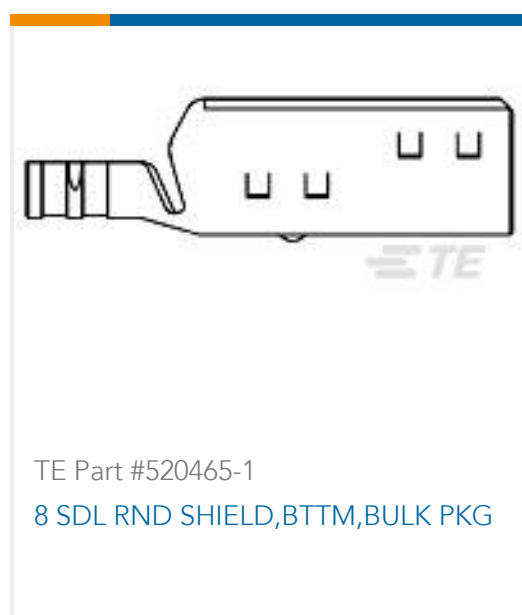
This information is provided based on reasonable inquiry of our suppliers and represents our current actual knowledge based on the information they provided. This information is subject to change. The part numbers that TE has identified as EU RoHS compliant have a maximum concentration of 0.1% by weight in homogenous materials for lead, hexavalent chromium, mercury, PBB, PBDE, DBP, BBP, DEHP, DIBP, and 0.01% for cadmium, or qualify for an exemption to these limits as defined in the Annexes of Directive 2011/65/EU (RoHS2). Finished electrical and electronic equipment products

will be CE marked as required by Directive 2011/65/EU. Components may not be CE marked. Additionally, the part numbers that TE has identified as EU ELV compliant have a maximum concentration of 0.1% by weight in homogenous materials for lead, hexavalent chromium, and mercury, and 0.01% for cadmium, or qualify for an exemption to these limits as defined in the Annexes of Directive 2000/53/EC (ELV). Regarding the REACH Regulation, the information TE provides on SVHC in articles for this part number is based on the latest European Chemicals Agency (ECHA) 'Guidance on requirements for substances in articles' posted at this URL: <https://echa.europa.eu/guidance-documents/guidance-on-reach>

Compatible Parts



Customers Also Bought



Documents

Product Drawings

8 SDL RND PLUG ASSY 36 SERIES

English

CAD Files

3D PDF

3D

Customer View Model

[ENG_CVM_CVM_1-520532-3_AA.2d_dxf.zip](#)



English

Customer View Model

[ENG_CVM_CVM_1-520532-3_AA.3d_igs.zip](#)

English

Customer View Model

[ENG_CVM_CVM_1-520532-3_AA.3d_stp.zip](#)

English

By downloading the CAD file I accept and agree to the [Terms and Conditions](#) of use.

Product Specifications

[Application Specification](#)

English

Instruction Sheets

[Instruction Sheet \(U.S.\)](#)

English

[Instruction Sheet \(U.S.\)](#)

English

[Crimping Die Assemblies 58195-1, 58195-2, 58195-3, and 58195-6](#)

English