

1-368575-2 ✓ ACTIVE



Power Double Lock

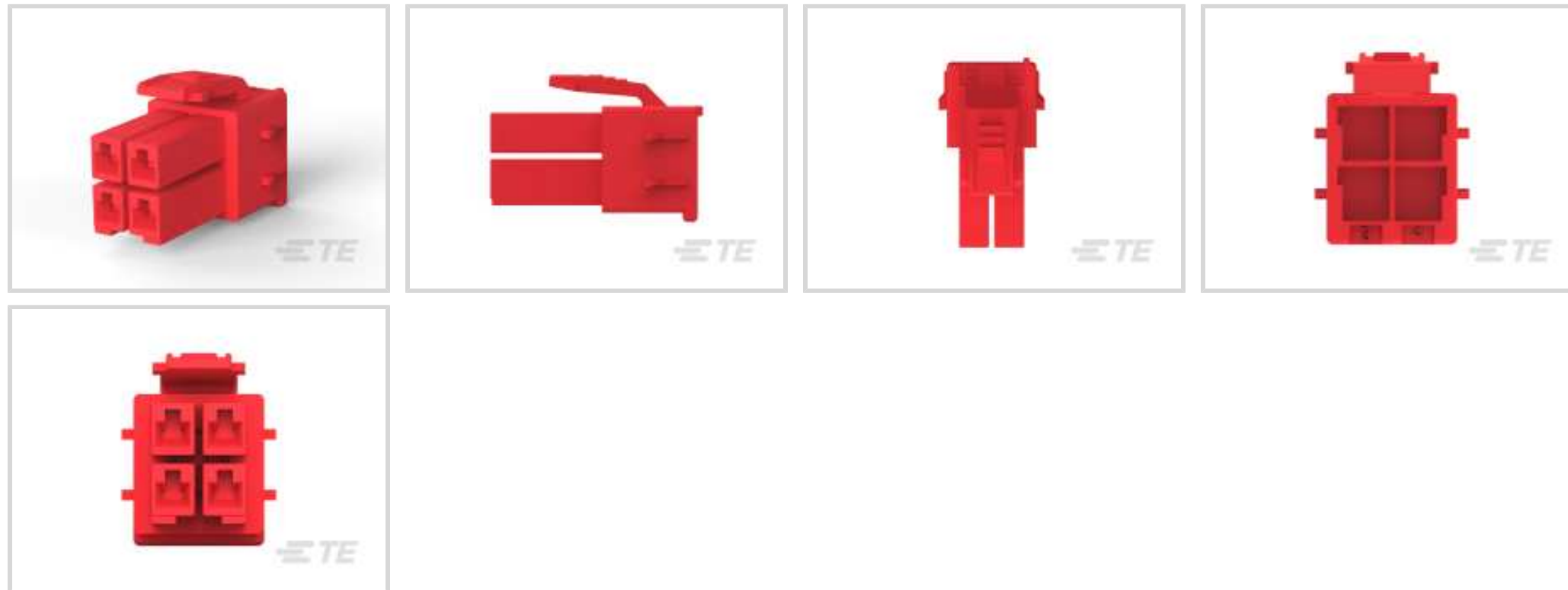
TE Internal #: 1-368575-2

TE Internal Description: PDL 4P PLUG 3.96 D/R(GWT) RED

Glow Wire Power Double Lock Plug

[View on TE.com >](#)

Connectors > Power Connectors > Rectangular Power > Rectangular Power Connectors > Glow Wire Power Double Lock Plug



Rectangular Power Connector Type: **Housing**

Connector & Housing Type: **Plug**

Connector System: **Wire-to-Board, Wire-to-Wire**

Number of Positions: **4**

Centerline (Pitch): **3.96 mm [.156 in]**

[All Glow Wire Power Double Lock Plug \(54\)](#)

Features

Product Type Features

Rectangular Power Connector Type	Housing
Connector & Housing Type	Plug
Connector System	Wire-to-Board, Wire-to-Wire
Sealable	No
Connector & Contact Terminates To	Wire & Cable

Configuration Features

Number of Positions	4
Number of Power Positions	0
Number of Signal Positions	0
Number of Rows	2

Electrical Characteristics

Operating Voltage	300 VAC
-------------------	---------

Contact Features



Contact Layout	Matrix
Contact Retention Within Housing	Without
Contact Type	Socket

Termination Features

Termination Method to Wire & Cable	Crimp
Wire/Cable Type	Discrete Wire
Wire Type	Stranded

Mechanical Attachment

Connector Mounting Type	Cable Mount (Free-Hanging)
-------------------------	----------------------------

Housing Features

Centerline (Pitch)	3.96 mm[.156 in]
Housing Color	Red
Housing Material	PA 66

Dimensions

Row-to-Row Spacing	4.6 mm[.181 in]
--------------------	-----------------

Usage Conditions

Operating Temperature Range	-30 – 105 °C[-22 – 221 °F]
-----------------------------	----------------------------

Operation/Application

Circuit Application	Power & Signal
---------------------	----------------

Industry Standards

UL Flammability Rating	UL 94V-0
Glow Wire Rating	GWT 750°C (Without Flame)
Agency/Standard Number	UL 1977
Agency/Standard	USR

Packaging Features

Packaging Method	Bag
Packaging Quantity	300

Other

For Use With	Cap: 368587 or 368589, Contacts: 177914 or 177915, Double Lock Plate 177918-1 or (GWT) 368590-1, Header: 179840
--------------	---



Product Compliance

[For compliance documentation, visit the product page on TE.com>](#)

EU RoHS Directive 2011/65/EU	Compliant
EU ELV Directive 2000/53/EC	Compliant
China RoHS 2 Directive MIIT Order No 32, 2016	No Restricted Materials Above Threshold
EU REACH Regulation (EC) No. 1907/2006	Current ECHA Candidate List: JAN 2020 (205) Candidate List Declared Against: JAN 2020 (205) Does not contain REACH SVHC
EU REACH Regulation (EC) No. 1907/2006	Current ECHA Candidate List: JAN 2020 (205) Candidate List Declared Against: JAN 2020 (205)
Halogen Content	Not Low Halogen - contains Br or Cl > 900 ppm.
Solder Process Capability	Not applicable for solder process capability

Product Compliance Disclaimer

This information is provided based on reasonable inquiry of our suppliers and represents our current actual knowledge based on the information they provided. This information is subject to change. The part numbers that TE has identified as EU RoHS compliant have a maximum concentration of 0.1% by weight in homogenous materials for lead, hexavalent chromium, mercury, PBB, PBDE, DBP, BBP, DEHP, DIBP, and 0.01% for cadmium, or qualify for an exemption to these limits as defined in the Annexes of Directive 2011/65/EU (RoHS2). Finished electrical and electronic equipment products will be CE marked as required by Directive 2011/65/EU. Components may not be CE marked. Additionally, the part numbers that TE has identified as EU ELV compliant have a maximum concentration of 0.1% by weight in homogenous materials for lead, hexavalent chromium, and mercury, and 0.01% for cadmium, or qualify for an exemption to these limits as defined in the Annexes of Directive 2000/53/EC (ELV). Regarding the REACH Regulations, TE's information on SVHC in articles for this part number is still based on the European Chemical Agency (ECHA) 'Guidance on requirements for substances in articles' (Version: 2, April 2011), applying the 0.1% weight on weight concentration threshold at the finished product level. TE is aware of the European Court of Justice ruling of September 10th, 2015 also known as O5A (Once An Article Always An Article) stating that, in case of 'complex object', the threshold for a SVHC must be applied to both the product as a whole and simultaneously to each of the articles forming part of its composition. TE has evaluated this ruling based on the new ECHA "Guidance on requirements for substances in articles" (June 2017, version 4.0) and will be updating its statements accordingly.

Compatible Parts

 <p>TE Model / Part # CAT-P87024-P729 STD Temp Power Double Lock Plug</p>	 <p>TE Model / Part # CAT-P87024-C1701A Glow Wire Power Double Lock Cap</p>	 <p>TE Model / Part # 368589-2 PDL 4P CAP 3.96 D/R P/M(GWT) R</p>
--	---	--

Also in the Series | Power Double Lock



Connector Contacts(1)



Power Contacts(18)

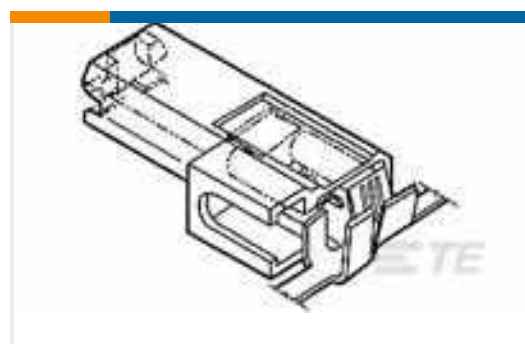


Rectangular Connector Locking(14)

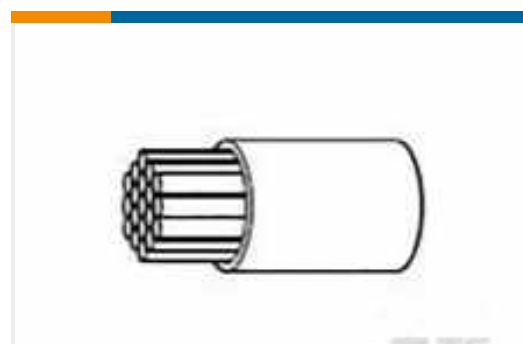


Rectangular Power Connectors(279)

Customers Also Bought



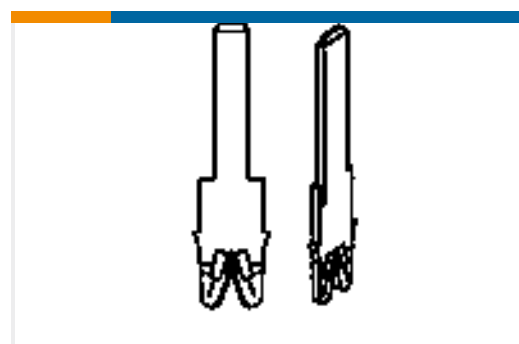
TE Model / Part #1969283-2
ULTRA-POD 250 ASSY REC 18-14
AWG TPBR



TE Model / Part #1739253002
FLHTC0311-20-0



TE Model / Part #336076-5
ESPRING 250 REC 1.0-2.5 MM NPST



TE Model / Part #4-1601090-2
031-161-002=TAB,2.0X.51,STDSMZ



TE Model / Part #1-368589-4
PDL 4P CAP 3.96 D/R P/M(GWT) Y



TE Model / Part #2005249-4
PDL 2P CAP 3.96 P/M(GWT) YEL



TE Model / Part #1601056-1
131-119-000=WIRE2WIRE,STD,SMZ



TE Model / Part #1394430-1
MAG MATE KONTAKT



TE Model / Part #7-2150058-7
OCEAN_2.0_SPARE_PART_KIT-
110F200F

Documents

Product Drawings

[PDL 4P PLUG 3.96 D/R\(GWT\) RED](#)

English

CAD Files

[3D PDF](#)

[3D](#)



Customer View Model

[ENG_CVM_CVM_1-368575-2_A_c-1-368575-2-a.2d_dxf.zip](#)

English

Customer View Model

[ENG_CVM_CVM_1-368575-2_A_c-1-368575-2-a.3d_igs.zip](#)

English

Customer View Model

[ENG_CVM_CVM_1-368575-2_A_c-1-368575-2-a.3d_stp.zip](#)

English

By downloading the CAD file I accept and agree to the [Terms and Conditions](#) of use.

Product Specifications

[Application Specification](#)

English

Product Environmental Compliance

[Product Compliance](#)

English

[Product Compliance](#)

English

Agency Approvals

[UL Report](#)

English

[UL Report](#)

English