

1-368376-1 ✓ ACTIVE

Ele Control Unit Connectors

TE Internal #: 1-368376-1

Housing for Female Terminals, Wire-to-Board, 81 Position, .228 in / .1 in [2.54 mm / 5.8 mm] Centerline, Sealable, Black, Ele Control Unit Connectors

[View on TE.com >](#)



Connectors > Automotive Connectors > Automotive Housings



Connector System: **Wire-to-Board**

Number of Positions: **81**

Connector & Housing Type: **Housing for Female Terminals**

Centerline (Pitch): **2.54 mm, 5.8 mm [.1 in, .228 in]**

Sealable: **Yes**

Features

Product Type Features

Mixed & Hybrid Connector	Yes
Connector Shape	Rectangular
Connector System	Wire-to-Board
Connector & Housing Type	Housing for Female Terminals
Sealable	Yes
Primary Locking Feature	Integrated in Housing

Configuration Features

Number of Positions	81
---------------------	----

Electrical Characteristics

Operating Voltage	6 VDC
Nominal Voltage Architecture	6 V, 18 V

Body Features

Cable Exit Angle	180°
Primary Product Color	Black
Connector & Keying Code	B

Contact Features

Contact Size	.63mm, 2.8mm
Contact Type	Receptacle



Mating Tab Width	.63 mm, 2.8 mm [.025 in][.11 in]
------------------	----------------------------------

Mechanical Attachment

Terminal Position Assurance	Yes
-----------------------------	-----

Strain Relief	Without
---------------	---------

Mating Alignment Type	Keyed
-----------------------	-------

Mating Alignment	With
------------------	------

Connector Mounting Type	Cable Mount (Free-Hanging)
-------------------------	----------------------------

Housing Features

Housing Material	PA GF
------------------	-------

Centerline (Pitch)	2.54 mm, 5.8 mm [.1 in][.228 in]
--------------------	----------------------------------

Dimensions

Connector Height	33.4 mm [1.31 in]
------------------	-------------------

Product Width	31 mm [1.22 in]
---------------	-----------------

Product Length	89.4 mm [3.51 in]
----------------	-------------------

Row-to-Row Spacing	2.54 mm [.1 in]
--------------------	-----------------

Usage Conditions

Operating Temperature (Max)	125 °C [257 °F]
-----------------------------	-----------------

Operating Temperature Range	-40 – 125 °C [-40 – 257 °F]
-----------------------------	-----------------------------

Operation/Application

Circuit Application	Signal
---------------------	--------

Packaging Features

Packaging Quantity	33
--------------------	----

Packaging Method	Tray
------------------	------

Other

Serviceable	No
-------------	----

Connector Position Assurance Capable	No
--------------------------------------	----

Product Compliance

[For compliance documentation, visit the product page on TE.com>](#)

EU RoHS Directive 2011/65/EU	Compliant
------------------------------	-----------

EU ELV Directive 2000/53/EC	Compliant
-----------------------------	-----------

China RoHS 2 Directive MIIT Order No 32, 2016	No Restricted Materials Above Threshold
---	---



EU REACH Regulation (EC) No. 1907/2006

Current ECHA Candidate List: JUNE 2024 (241)

Candidate List Declared Against: JAN 2024 (240)

Does not contain REACH SVHC

Halogen Content

Low Halogen - Br, Cl, F, I < 900 ppm per homogenous material. Also BFR/CFR/PVC Free

Solder Process Capability

Not applicable for solder process capability

Product Compliance Disclaimer

This information is provided based on reasonable inquiry of our suppliers and represents our current actual knowledge based on the information they provided. This information is subject to change. The part numbers that TE has identified as EU RoHS compliant have a maximum concentration of 0.1% by weight in homogenous materials for lead, hexavalent chromium, mercury, PBB, PBDE, DBP, BBP, DEHP, DIBP, and 0.01% for cadmium, or qualify for an exemption to these limits as defined in the Annexes of Directive 2011/65/EU (RoHS2). Finished electrical and electronic equipment products will be CE marked as required by Directive 2011/65/EU. Components may not be CE marked. Additionally, the part numbers that TE has identified as EU ELV compliant have a maximum concentration of 0.1% by weight in homogenous materials for lead, hexavalent chromium, and mercury, and 0.01% for cadmium, or qualify for an exemption to these limits as defined in the Annexes of Directive 2000/53/EC (ELV). Regarding the REACH Regulation, the information TE provides on SVHC in articles for this part number is based on the latest European Chemicals Agency (ECHA) 'Guidance on requirements for substances in articles' posted at this URL: <https://echa.europa.eu/guidance-documents/guidance-on-reach>

Compatible Parts



TE Part # 963293-1
SEALING F JPT+2,8



TE Part # 936054-1
CAVITY PLUG(ECU 40P&81P ASSY)



TE Part # CAT-T4827-T273
TIMER, RECEPTACLE AND TAB



TE Part # 1746979-1
ECU 121P HDR ASSY-PBT



TE Part # 828905-1
SINGLE-WIRE-SEAL(5MM HOLE)

Also in the Series | **Ele Control Unit Connectors**



Automotive Housings(2)

Customers Also Bought



TE Part #1438031-1
2X8 SEALD HARN ASSY W/O CPA



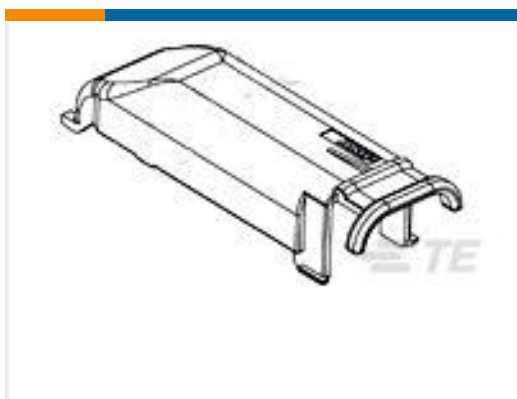
TE Part #3-1534904-2
MQS, CONNECTOR HOUSING



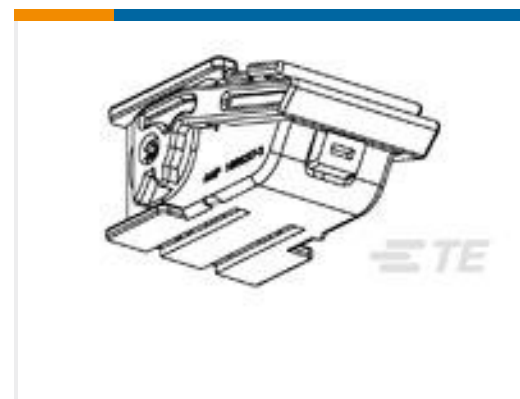
TE Part #964286-1
JPT A REC 2.8 Contact SWS Sn



TE Part #1-1703494-2
MCON 1.2, 1-row, 2-8 POS TAB
Housing, Sealed



TE Part #368389-1
COVER HSG FOR 81P(SIEMENS)



TE Part #1-968317-3
MQS ABDECKKAPPE 24P



TE Part #3-1904131-0
V23134B4052X546-EV-CBOX

Documents

Product Drawings

[81P REC HSG ASSY\(SIEMENS\)BLK-B](#)

English

CAD Files

[3D PDF](#)

English

Customer View Model

[ENG_CVM_1-368376-1_G.2d_dxf.zip](#)

English

Customer View Model

[ENG_CVM_1-368376-1_G.3d_igs.zip](#)

English

Customer View Model

[ENG_CVM_1-368376-1_G.3d_stp.zip](#)

English

By downloading the CAD file I accept and agree to the [Terms and Conditions](#) of use.



[Product Specifications](#)

[Application Specification](#)

English