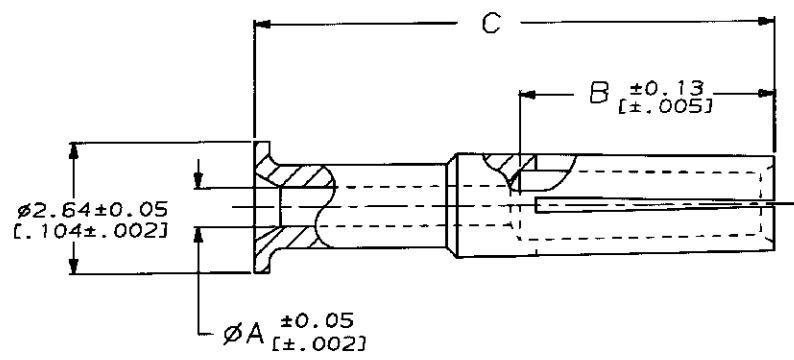
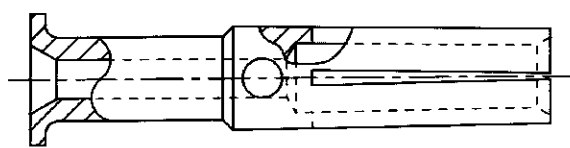


DRAWING MADE IN THIRD ANGLE PROJECTION  
 THIS DRAWING IS UNPUBLISHED. RELEASED FOR PUBLICATION .19  
 © COPYRIGHT 19 BY AMP INCORPORATED. ALL INTERNATIONAL RIGHTS RESERVED.

LOC	DIST	P	F	ZONE	LTR	REVISIONS	DATE	APPD
AJ	16				F	REDWN, REV & ADD 3--9 PER AJ-4560	2-8-91	BAS



VIEW X



VIEW Y  
 SAME AS VIEW X  
 EXCEPT AS SHOWN

- ① BERYLLIUM COPPER PER QQ-C-530
- ② GOLD PLATE PER MIL-G-45204  
1.27µm [0.000050] MINIMUM THICK
- ③ GOLD PLATE PER MIL-G-45204  
0.76µm [0.000030] MINIMUM THICK
- ④ GOLD PLATE PER MIL-G-45204  
2.54µm [0.000100] MINIMUM THICK
- ⑤ SILVER PLATE PER QQ-S-365  
2.54µm [0.000100] MINIMUM THICK

VIEW	FINISH	C	B	A	PART NUMBER
Y	④	10.39 [0.409]	5.08 [0.200]	0.79 [0.031]	3-331368-9
Y	⑤	10.39 [0.409]	5.08 [0.200]	0.79 [0.031]	3-331368-8
X	④	10.39 [0.409]	5.84 [0.230]	0.36 [0.014]	2-331368-4
Y	④	10.39 [0.409]	5.08 [0.200]	0.46 [0.031]	2-331368-3
X	④	10.39 [0.409]	5.08 [0.200]	0.46 [0.018]	2-331368-2
X	④	10.69 [0.421]	5.08 [0.200]	0.89 [0.035]	2-331368-1
X	④	11.73 [0.462]	5.08 [0.200]	0.61 [0.024]	1-331368-6
X	④	10.39 [0.409]	5.08 [0.200]	0.46 [0.018]	1-331368-4
X	④	10.39 [0.409]	5.08 [0.200]	0.61 [0.024]	1-331368-2
Y	④	10.39 [0.409]	5.08 [0.200]	0.79 [0.031]	331368

DO NOT SCALE PRINT. UNLESS SPECIFIED DIMENSIONS IN mm [INCHES] TOLERANCES ON: 2 PLC DEC ± 0.20 [0.008] 3 PLC DEC ± - ANGLES ± -	DR 2-8-91 B. SCOTT	AMP Incorporated Harrisburg, PA 17105-3608	
	CHK 3-20-91 J. LIPPERT		
MATERIAL ①	APPD 4-3-91 M. PHILLIPS	CONTACT, RECEPTACLE, DUAL CRIMP, SERIES BNC	
	APPD 4-3-91 J. LIPPERT	PRODUCT SPEC	
FINISH SEE TABLE	APPLICATION SPEC	SIZE C	CAGE CODE 00779
	WEIGHT	DRAWING NO 331368	SHEET 1 OF 1

331368

A

CUSTOMER DRAWING

# Mouser Electronics

Authorized Distributor

Click to View Pricing, Inventory, Delivery & Lifecycle Information:

[TE Connectivity:](#)

[1-331368-4](#)