



SOLISTRAND

TE Internal #: 1-320765-1

TE Internal Description: TERMINAL,SOLIS R 12-10 7/8

[View on TE.com >](#)

Terminals & Splices > Ring Terminals



Ring Terminal Product Type: Closed Ring Tongue Terminal

Wire Size: 5180 – 13100 CMA

Stud Size: 7/8

**Features**

**Product Type Features**

Ring Terminal Product Type	Closed Ring Tongue Terminal
Stud Size	7/8
Sealable	No
Wire Insulation Support Retention Type	Non-Insulation Support

**Configuration Features**

Number of Holes	1
-----------------	---

**Body Features**

Product Weight	8.049 g
----------------	---------

**Contact Features**

Barrel Type	Closed
Terminal Orientation	Straight
Terminal Plating Material	Tin

**Mechanical Attachment**

Wire Insulation Support	Without
-------------------------	---------

**Dimensions**

Wire Size	5180 – 13100 CMA
-----------	------------------

Stud Diameter	23.01 mm[.906 in]
---------------	-------------------

Tongue Thickness	.79 mm[.031 in]
------------------	-----------------

Product Length	48.16 mm[1.893 in]
----------------	--------------------

Barrel Inside Diameter	3.28 mm[.129 in]
------------------------	------------------

### Usage Conditions

Insulation Option	Uninsulated
-------------------	-------------

Operating Temperature Range	170 °C[338 °F]
-----------------------------	----------------

### Operation/Application

Compatible With Wire Base Material	Copper
------------------------------------	--------

Compatible With Wire Plating Material	Tin
---------------------------------------	-----

### Industry Standards

Government Qualified Terminal	No
-------------------------------	----

### Packaging Features

Packaging Quantity	500
--------------------	-----

Packaging Method	Loose Piece
------------------	-------------

## Product Compliance

[For compliance documentation, visit the product page on TE.com>](#)

EU RoHS Directive 2011/65/EU	Compliant
------------------------------	-----------

EU ELV Directive 2000/53/EC	Compliant
-----------------------------	-----------

China RoHS 2 Directive MIIT Order No 32, 2016	No Restricted Materials Above Threshold
---	---

EU REACH Regulation (EC) No. 1907/2006	Current ECHA Candidate List: JAN 2024 (240) Candidate List Declared Against: JAN 2024 (240) Does not contain REACH SVHC
--	---

Halogen Content	Low Halogen - Br, Cl, F, I < 900 ppm per homogenous material. Also BFR/CFR/PVC Free
-----------------	---

Solder Process Capability	Not applicable for solder process capability
---------------------------	--

#### Product Compliance Disclaimer

This information is provided based on reasonable inquiry of our suppliers and represents our current actual knowledge based on the information they provided. This information is subject to change. The part numbers that TE has identified as EU RoHS compliant have a maximum concentration of 0.1% by weight in homogenous materials for lead, hexavalent chromium, mercury, PBB, PBDE, DBP, BBP, DEHP, DIBP, and 0.01% for cadmium, or qualify for an exemption to these limits as defined in the Annexes of Directive 2011/65/EU (RoHS2). Finished electrical and electronic equipment products will be CE marked as required by Directive 2011/65/EU. Components may not be CE marked. Additionally, the part

numbers that TE has identified as EU ELV compliant have a maximum concentration of 0.1% by weight in homogenous materials for lead, hexavalent chromium, and mercury, and 0.01% for cadmium, or qualify for an exemption to these limits as defined in the Annexes of Directive 2000/53/EC (ELV). Regarding the REACH Regulation, the information TE provides on SVHC in articles for this part number is based on the latest European Chemicals Agency (ECHA) 'Guidance on requirements for substances in articles' posted at this URL: <https://echa.europa.eu/guidance-documents/guidance-on-reach>

## Compatible Parts



TE Part # 58545-1  
SOLISTRAND 10-22 DIE ASSY



TE Part # 49935  
DAHT SOLIS 22-10 ASSY



TE Part # 58546-1  
PC 22-10 SOLISSPICE SPL I SHT



TE Part # 58545-3  
SDE DIE ASSY. 22-10 SOLISTRAND



TE Part # 47814  
DIES SOLIS 12-10 DIE SET

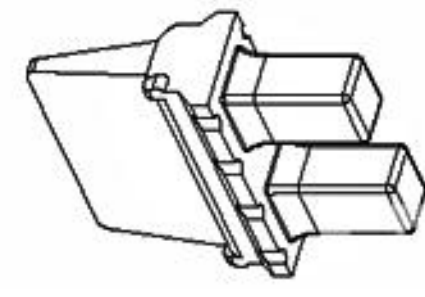


TE Part # 169400  
CERTI-LOK FRAME W/O DIES

## Customers Also Bought



TE Part #6-66506-1  
20 DF PIN CONT, SMALL PACK



TE Part #WM-8P  
WEDGE LOCK, 8P, REC, ORG, DTM



TE Part #EC0571-000  
06161000



TE Part #5745171-5  
AMPL CBL CLMP KIT SZ 1



TE Part #102387-4  
20 MODIV HSG COMP DR .100 POL



TE Part #794280-1  
12P UMNL WIRE SEAL



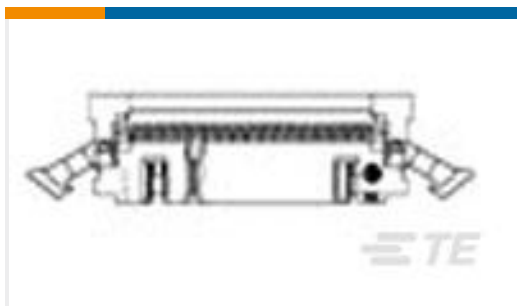
TE Part #6-1393246-9  
W23-X1A1G-25=W23/W31-



TE Part #3-2176369-9  
RQ 0603 100R 0.1% 10PPM 5K RL



TE Part #2-320571-2  
PIDG R 22-16 COMM 22-18MIL 1/4



TE Part #1-111506-4  
50 UNIV I/O, SLOTTED,LEAD FREE

## Documents

### Product Drawings

[TERMINAL,SOLIS R 12-10 7/8](#)

English

### CAD Files

[3D PDF](#)

3D

Customer View Model

[ENG\\_CVM\\_CVM\\_1-320765-1\\_S.2d\\_dxf.zip](#)

English

Customer View Model

[ENG\\_CVM\\_CVM\\_1-320765-1\\_S.3d\\_igs.zip](#)

English

Customer View Model

[ENG\\_CVM\\_CVM\\_1-320765-1\\_S.3d\\_stp.zip](#)

English

By downloading the CAD file I accept and agree to the [Terms and Conditions](#) of use.

### Agency Approvals

[UL Report](#)

English