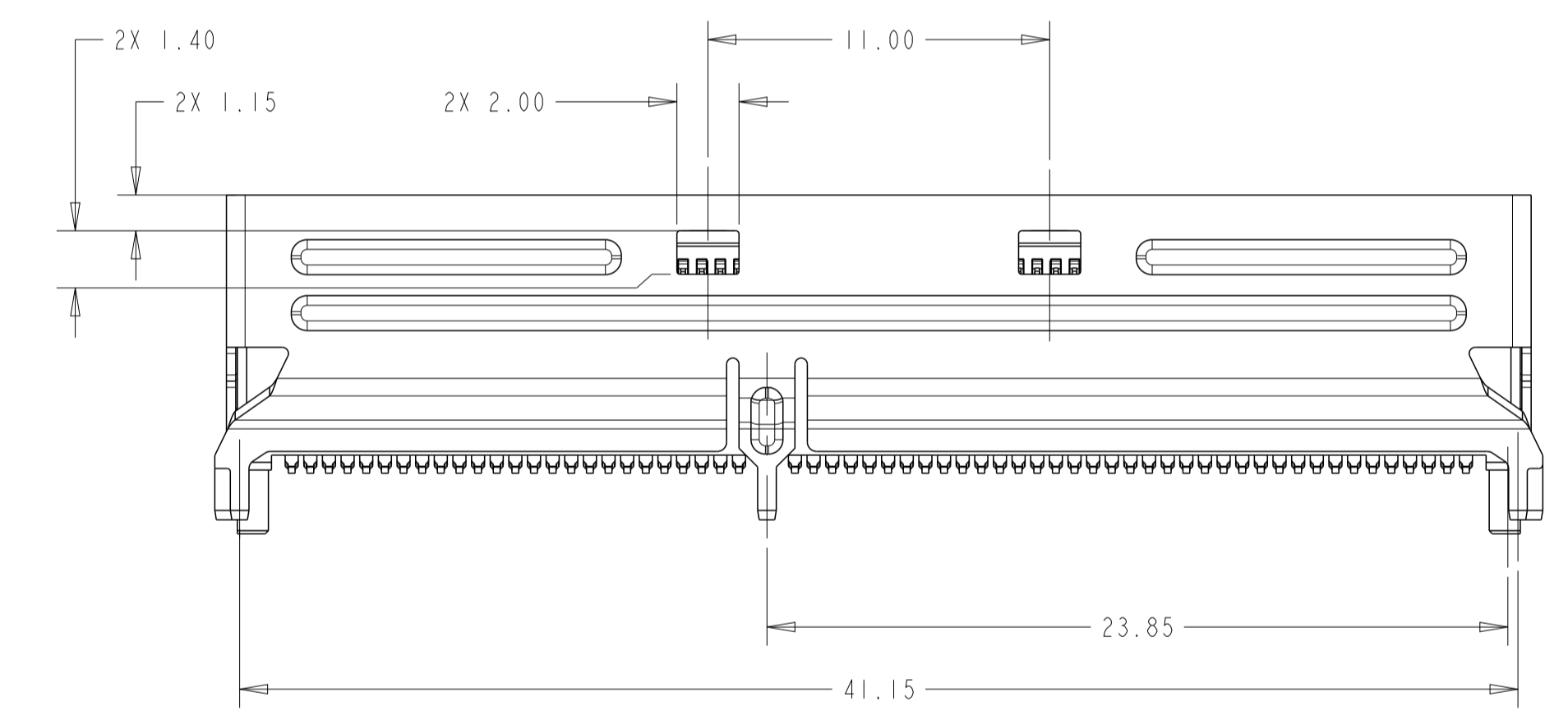
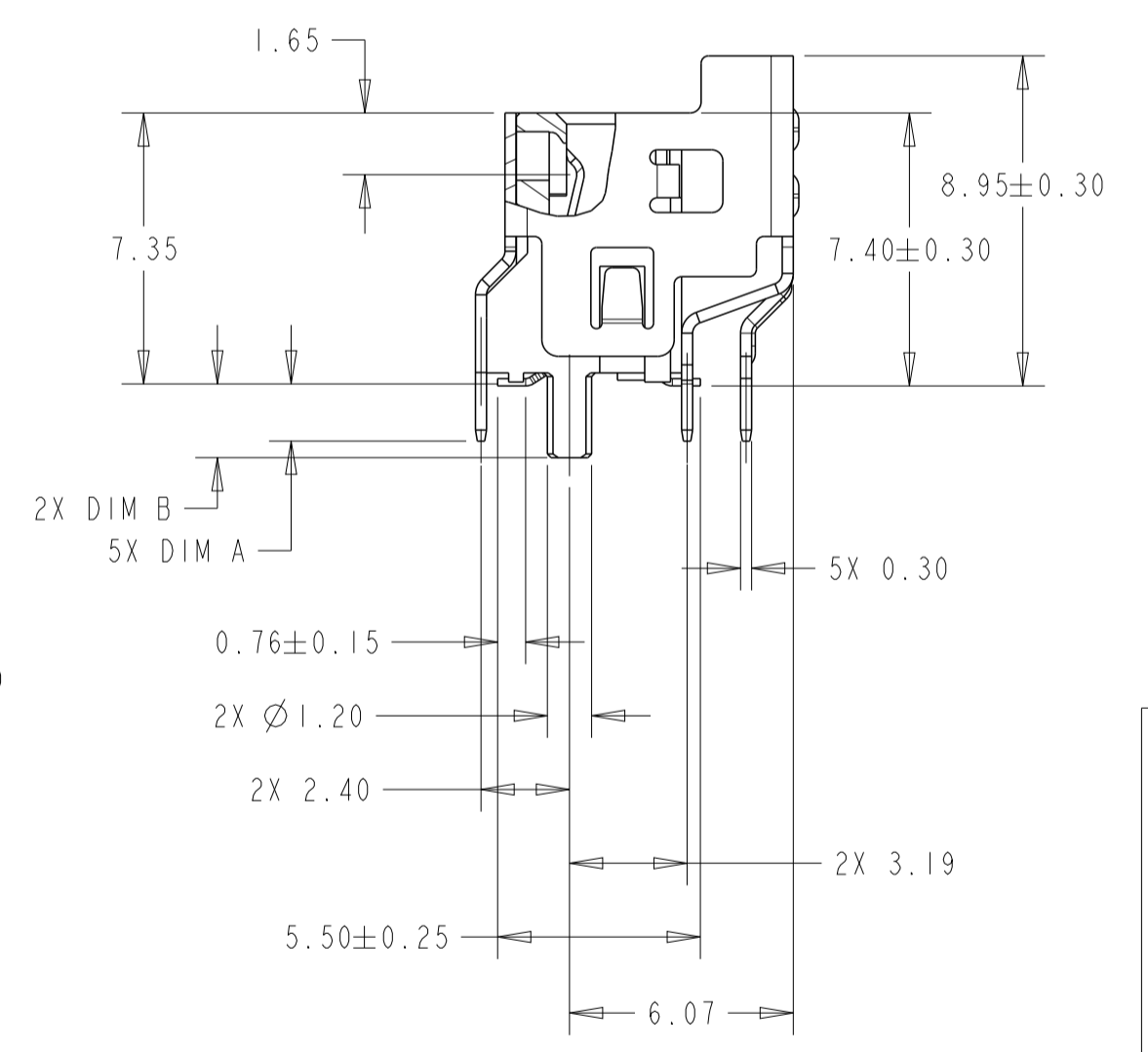
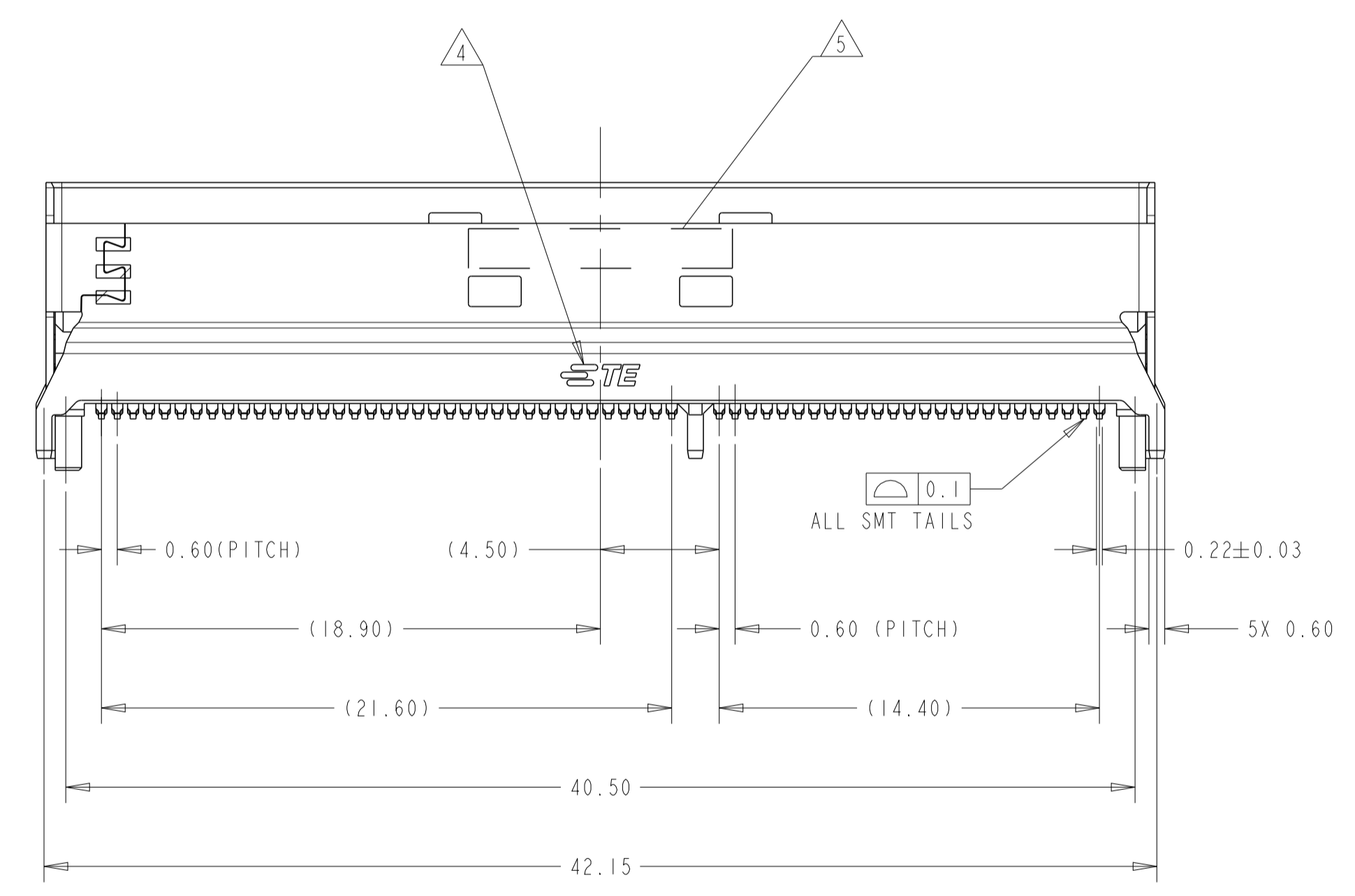
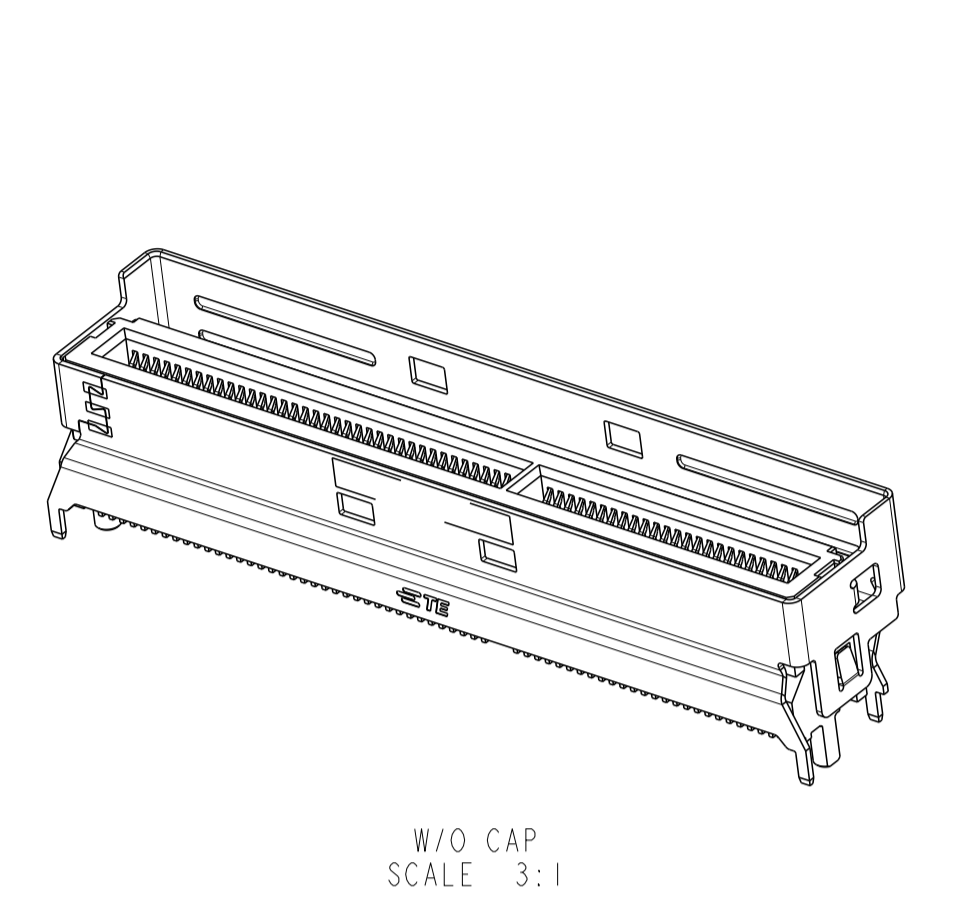
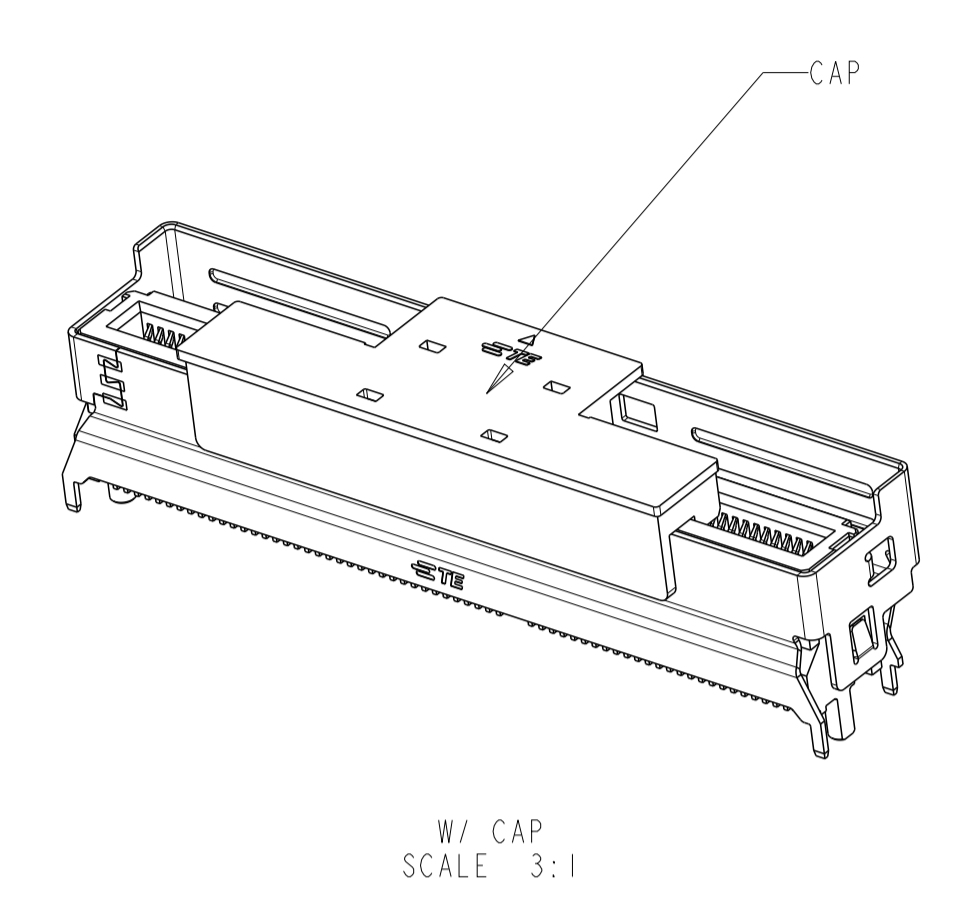
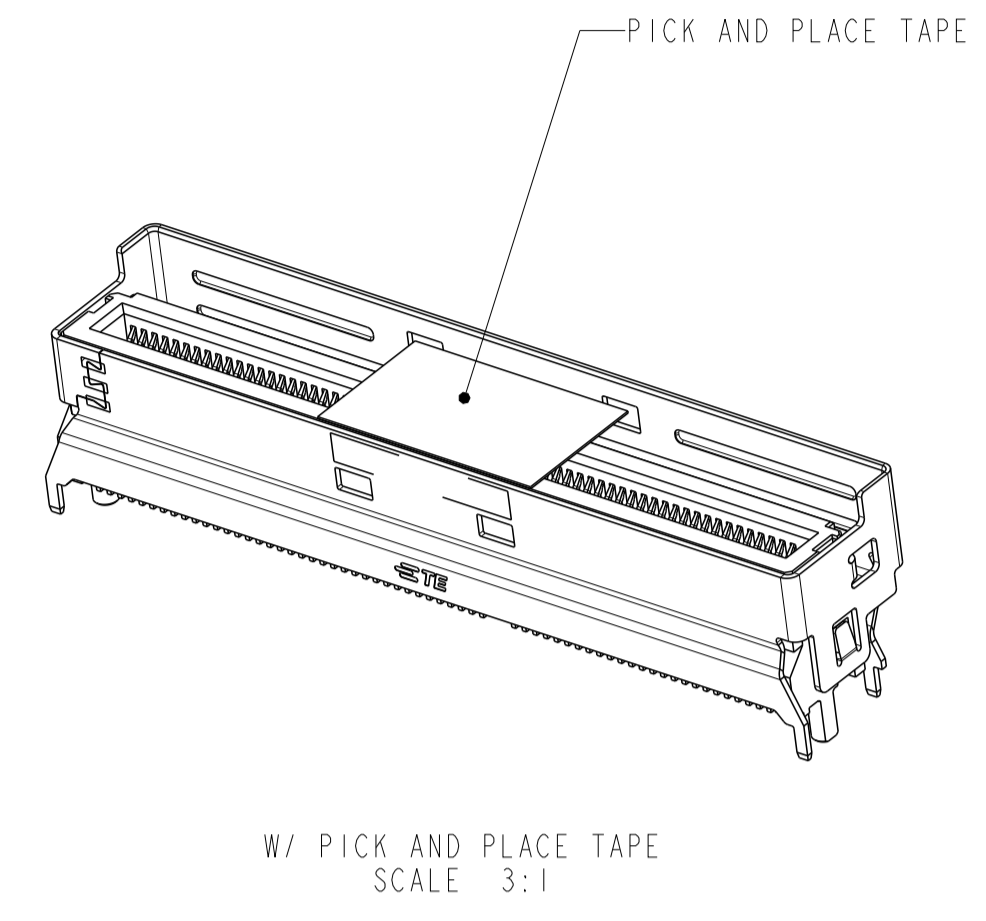
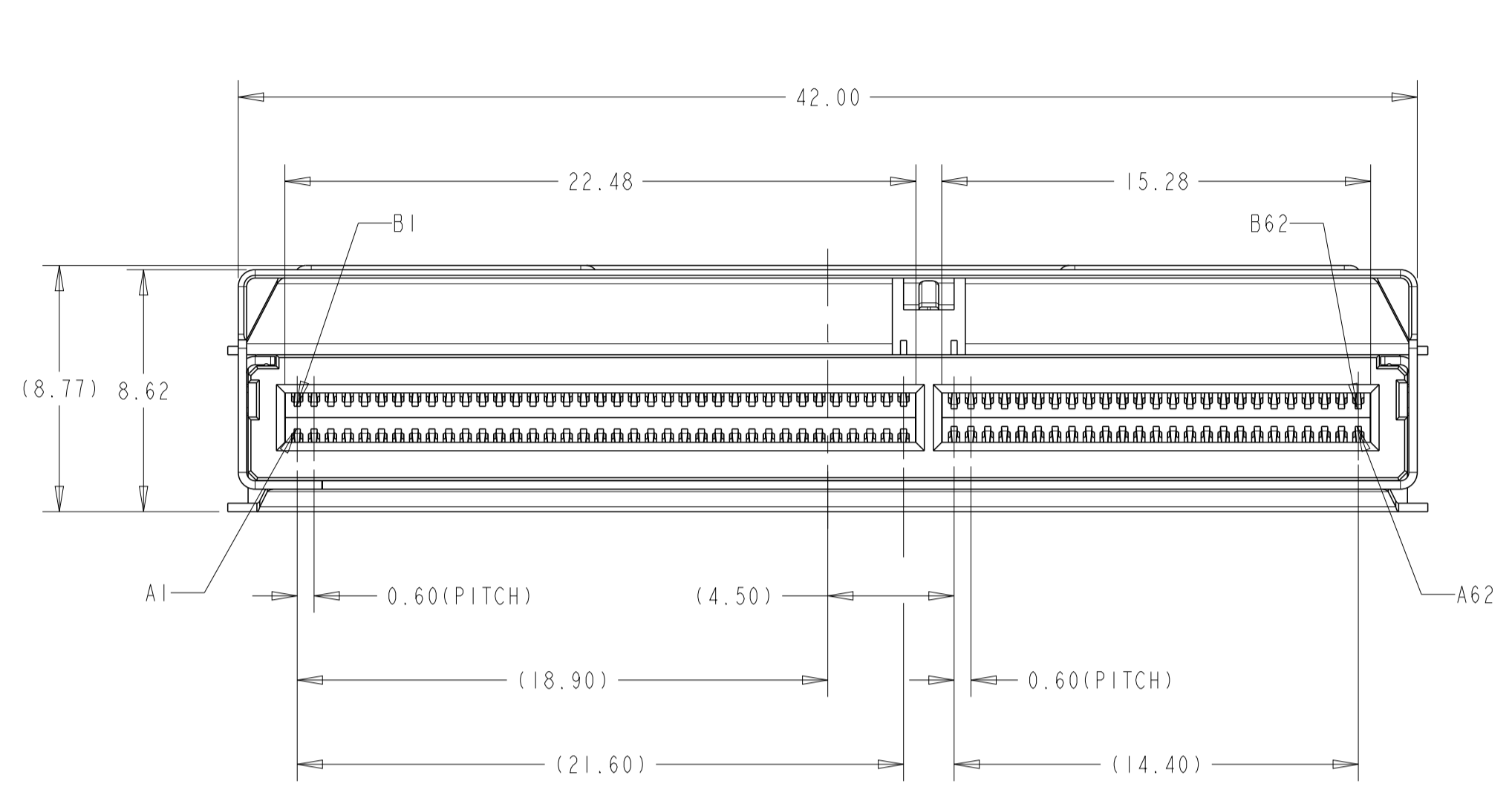


REVISIONS				
P	LTN	DESCRIPTION	DATE	APP'D
A		RELEASE PER ECN-22-172004	29AUG2022	WZ DZ
A1		REVISED PER ECN-24-275123	16JUL2024	RW DZ



NOTES
 1. MATERIALS:
 PLASTICS: HIGH TEMPERATURE THERMOPLASTIC UL94V-0, COLOR: BLACK.
 SHELL: STAINLESS STEEL
 CONTACT: COPPER ALLOY.
 PICK AND PLACE TAPE: POLYIMIDE FILM.

2. FINISH:
 TERMINAL: CONTACT AREA: SELECTED GOLD PLATING, SEE TABLE.
 SOLDER AREA: MATTE TIN PLATING 100µ" MIN.
 UNDER PLATING: NICKEL PLATING 50µ" min OVER ALL.
 SHELL: UNDER PLATING: NICKEL PLATING 50µ" min OVERALL.

3. HALOGEN REQUIREMENT MEET CODE 2: LOW BR/CL AS DEFINED IN TEC-138-72

4. TE CONNECTIVITY LOGO MARKED IN APPROXIMATE AREA SHOWN.
 5. PART NUMBER AND DATE CODE MARKED IN APPROXIMATE AREA SHOWN.

Q'TY/CARTON	POCKET TAPE PITCH	Q'TY/REEL	MADE IN COUNTRY	CAP OPTION	CONTACT FINISH	DIM B	DIM A	PART NUMBER
600	20	200	PHILIPPINES	W/CAP	30u" GOLD	2.00MM	3.00MM	5-2381578-7
					15u" GOLD	1.20MM	1.20MM	4-2381578-9
				W/O CAP	30u" GOLD	1.20MM	1.20MM	3-2381578-9
					15u" GOLD	1.20MM	1.20MM	2-2381578-9
				W/PICK AND PLACE TAPE	30u" GOLD	1.20MM	1.20MM	1-2381578-9
					15u" GOLD	1.20MM	1.20MM	2381578-9
				W/CAP	30u" GOLD	2.00MM	4.20MM	1-2381578-8
						2.00MM	3.00MM	1-2381578-7
						2.00MM	2.20MM	1-2381578-6
					15u" GOLD	2.00MM	1.50MM	1-2381578-5
						2.00MM	4.20MM	1-2381578-4
						2.00MM	3.00MM	1-2381578-3
				W/PICK AND PLACE TAPE	30u" GOLD	2.00MM	2.20MM	1-2381578-2
						2.00MM	1.50MM	1-2381578-1
						2.00MM	4.20MM	2381578-8
					15u" GOLD	2.00MM	3.00MM	2381578-7
2.00MM	2.20MM	2381578-6						
2.00MM	1.50MM	2381578-5						

THIS DRAWING IS A CONTROLLED DOCUMENT.

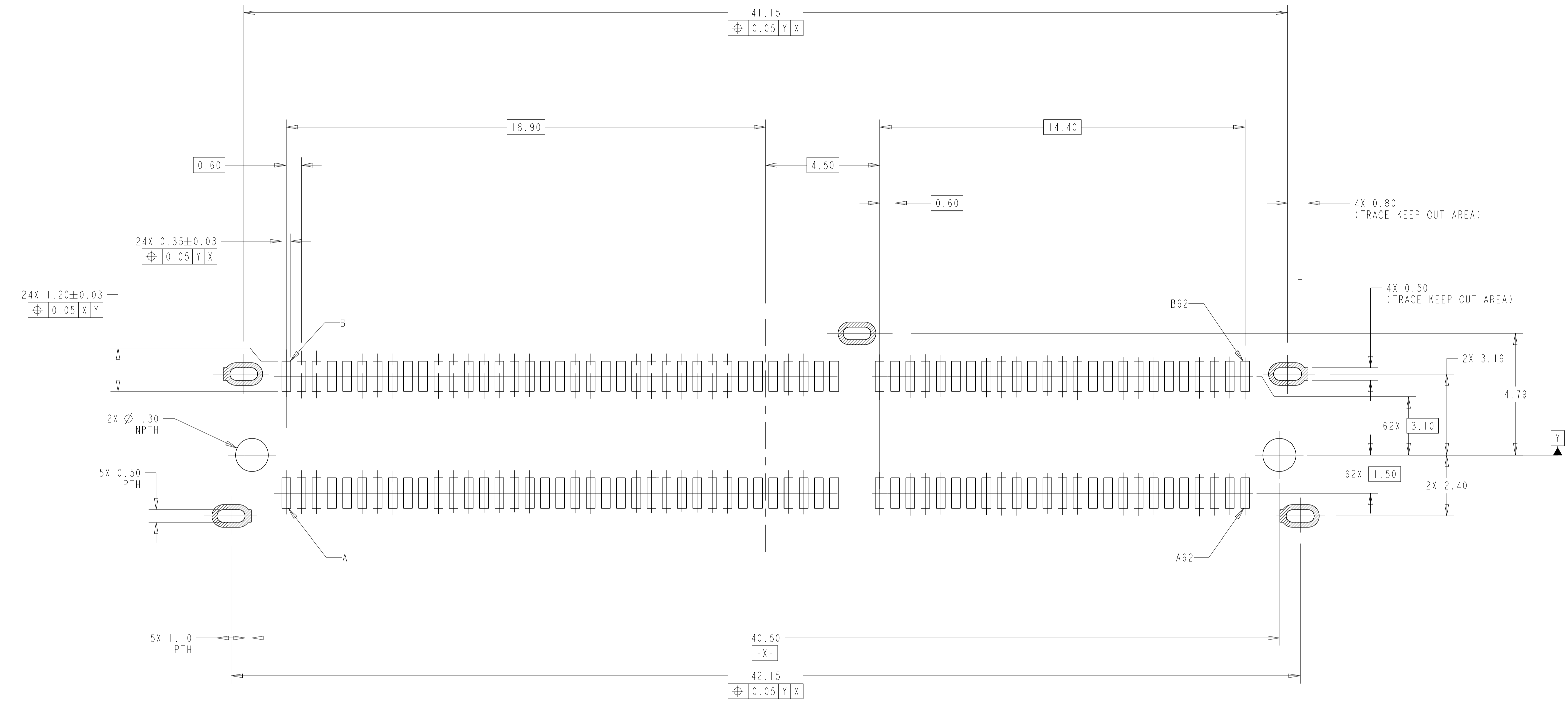
APPROVED: DAVID ZHANG, 21-OCT-2020

TE Connectivity

MINI COOL EDGE IO INTEGRATED CONNECTOR, 0.6PITCH, VERTICAL STANDARD, 124P, SMT TYPE, 85ohm

SCALE 5:1 SHEET 1 OF 5 REV A1

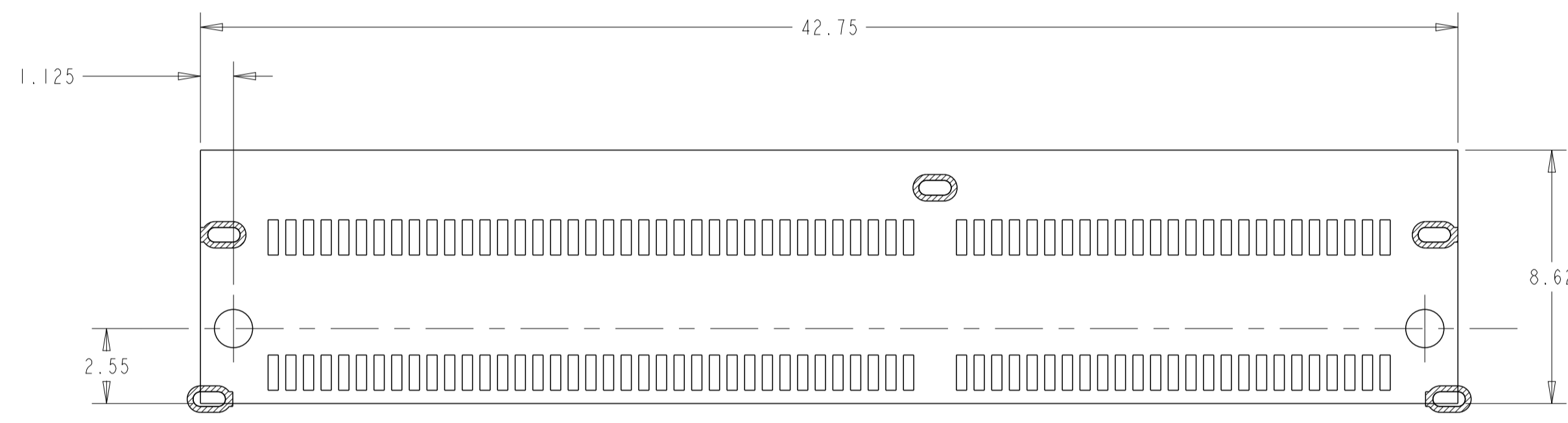
REVISIONS				
P	LTN	DESCRIPTION	DATE	APVD
-	-	SEE SHEET 1	-	-



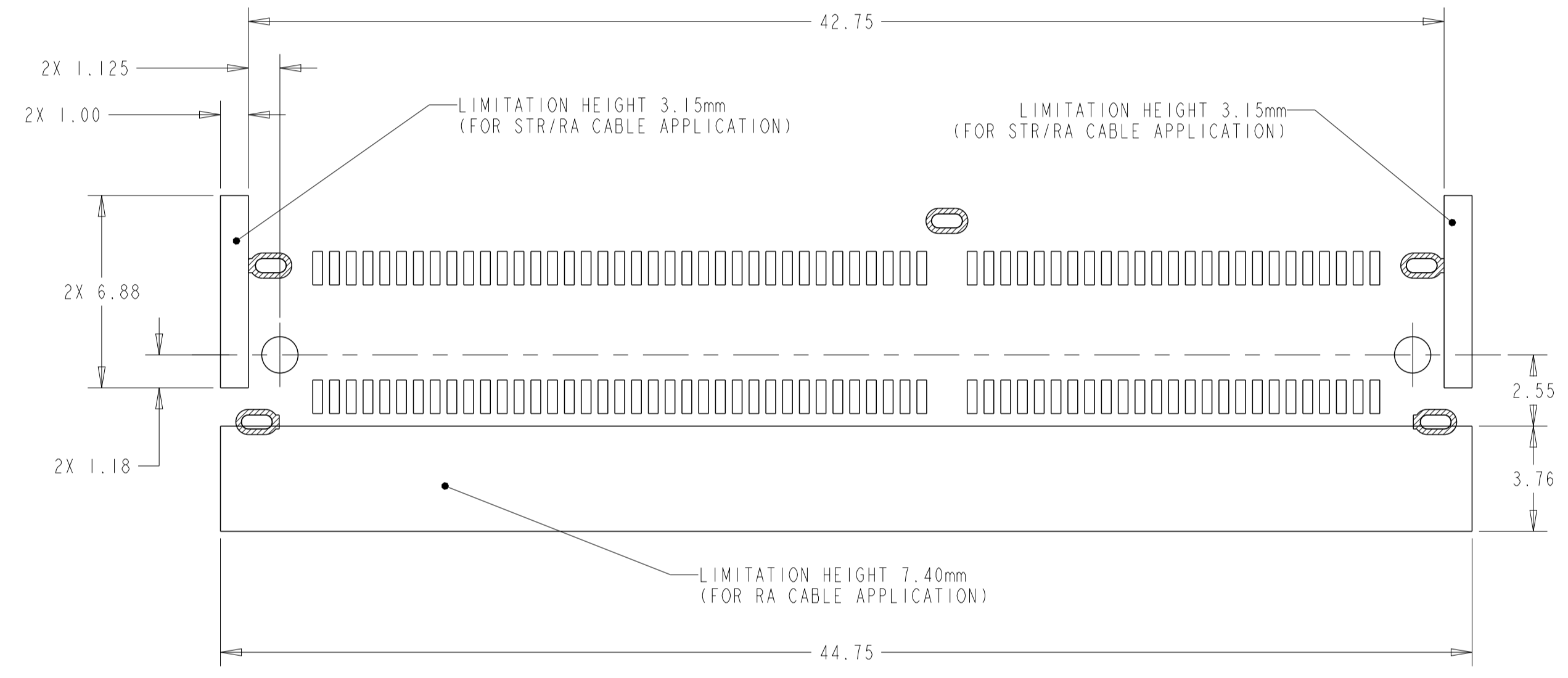
RECOMMENDED PCB LAYOUT
 (GENERAL TOLERANCES: ±0.05)
 SCALE 10:1

THIS DRAWING IS A CONTROLLED DOCUMENT.		OWN: LEO LI 21-OCT-2020	TE Connectivity
DIMENSIONS: mm		CHK: DAVID ZHANG 21-OCT-2020	
TOLERANCES UNLESS OTHERWISE SPECIFIED: 0 PLC ±0.30 1 PLC ±0.30 2 PLC ±0.20 3 PLC ±0.10 4 PLC ±0.10 ANGLES ±2° FINISH		APVD: DAVID ZHANG 21-OCT-2020	NAME: MINI COOL EDGE 10 INTEGRATED CONNECTOR, 0.6PITCH, VERTICAL STANDARD, 124P, SMT TYPE, 85ohm
MATERIAL: -		PRODUCT SPEC: 108-60133	SIZE: A
FINISH: -		APPLICATION SPEC: 114-60030	CAGE CODE: 00779
CUSTOMER DRAWING		WEIGHT: -	DRAWING NO: C=2381578
SCALE: 5:1		RESTRICTED TO: -	SHEET 2 OF 5
REV: A1		REV: A1	

REVISIONS				
P	LTN	DESCRIPTION	DATE	APVD
-		SEE SHEET 1	-	-



COMPONENTS KEEP OUT AREA
LIMITATION HEIGHT: 0mm
SCALE 6:1

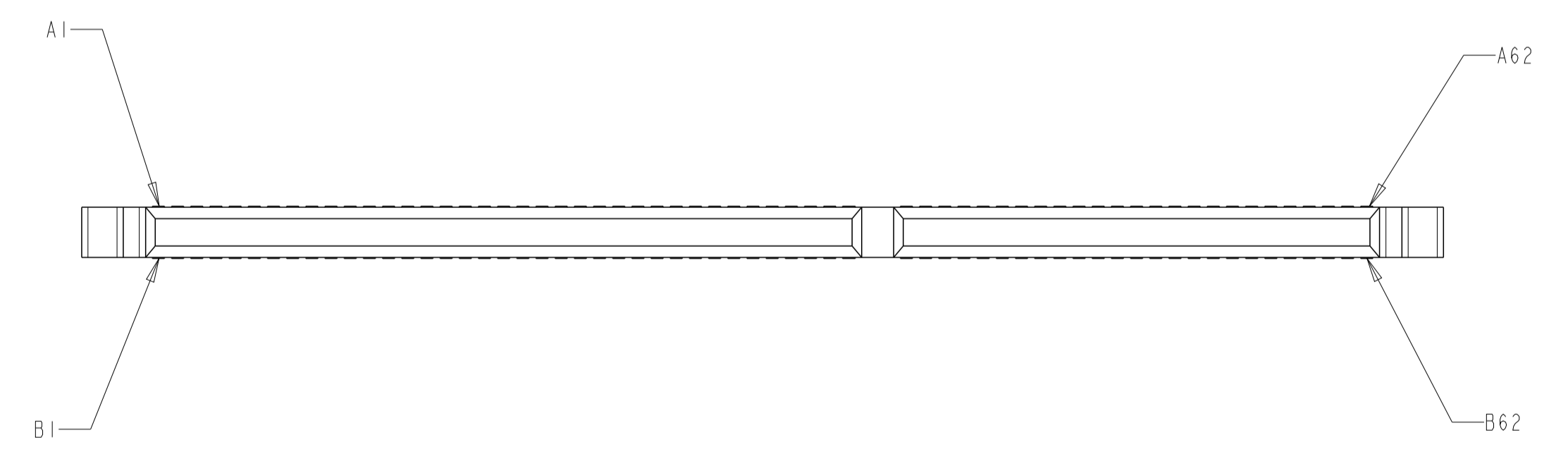
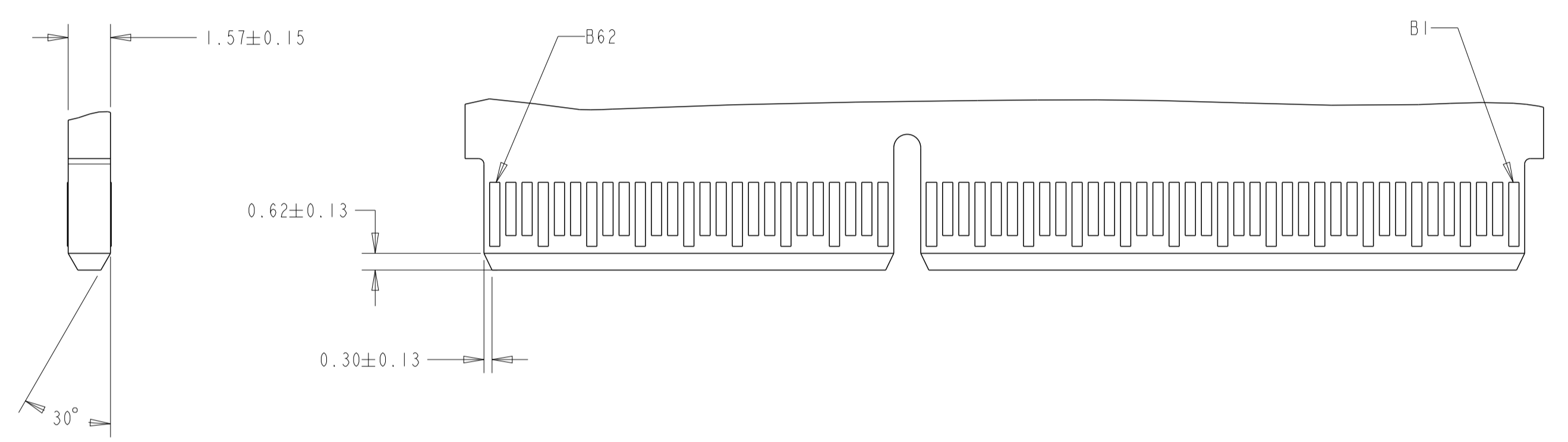
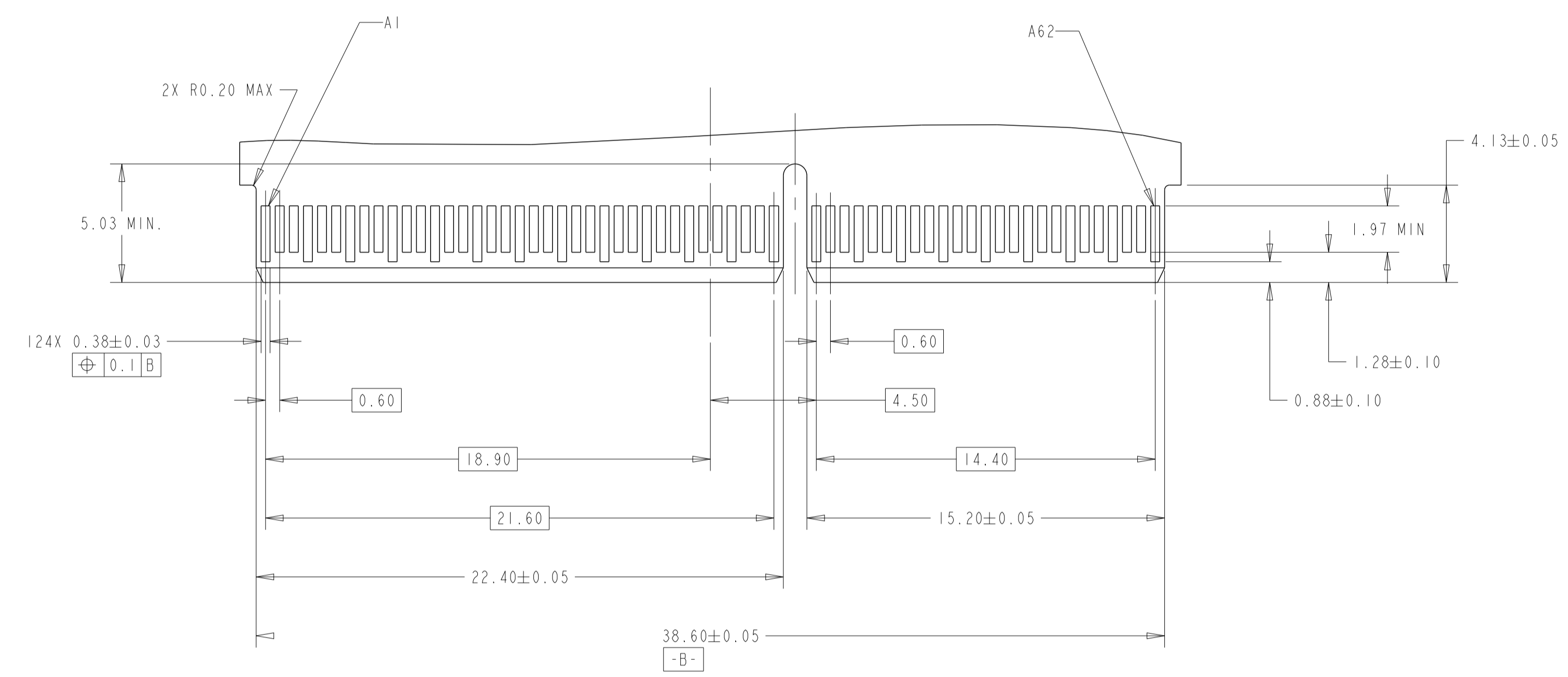


COMPONENTS KEEP OUT AREA
SCALE 6:1

THIS DRAWING IS A CONTROLLED DOCUMENT.		OWN: LEO LI 21-OCT-2020	
		CHK: DAVID ZHANG 21-OCT-2020	
DIMENSIONS:		APVD: DAVID ZHANG 21-OCT-2020	NAME: MINI COOL EDGE 10 INTEGRATED CONNECTOR, 0.6PITCH, VERTICAL STANDARD, 124P, SMT TYPE, 85ohm SIZE: CAGE CODE DRAWING NO. RESTRICTED TO A 00779 C=2381578
TOLERANCES UNLESS OTHERWISE SPECIFIED:		PRODUCT SPEC: 108-60133	
0 PLC ± 1 PLC ±0.30 2 PLC ±0.20 3 PLC ±0.10 4 PLC ± ANGLES ±° FINISH ±2°		APPLICATION SPEC: 114-60030	
MATERIAL: -		WEIGHT: -	
CUSTOMER DRAWING		SCALE: 5:1	SHEET 3 OF 5

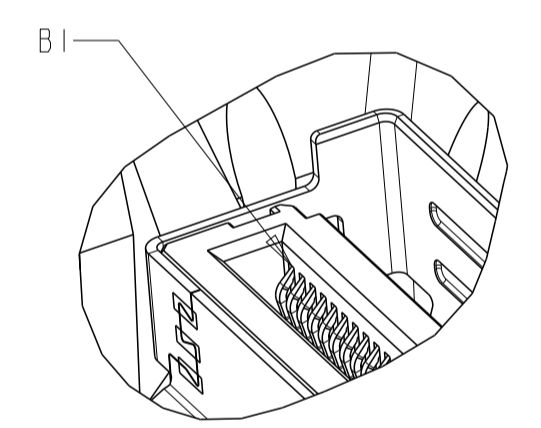
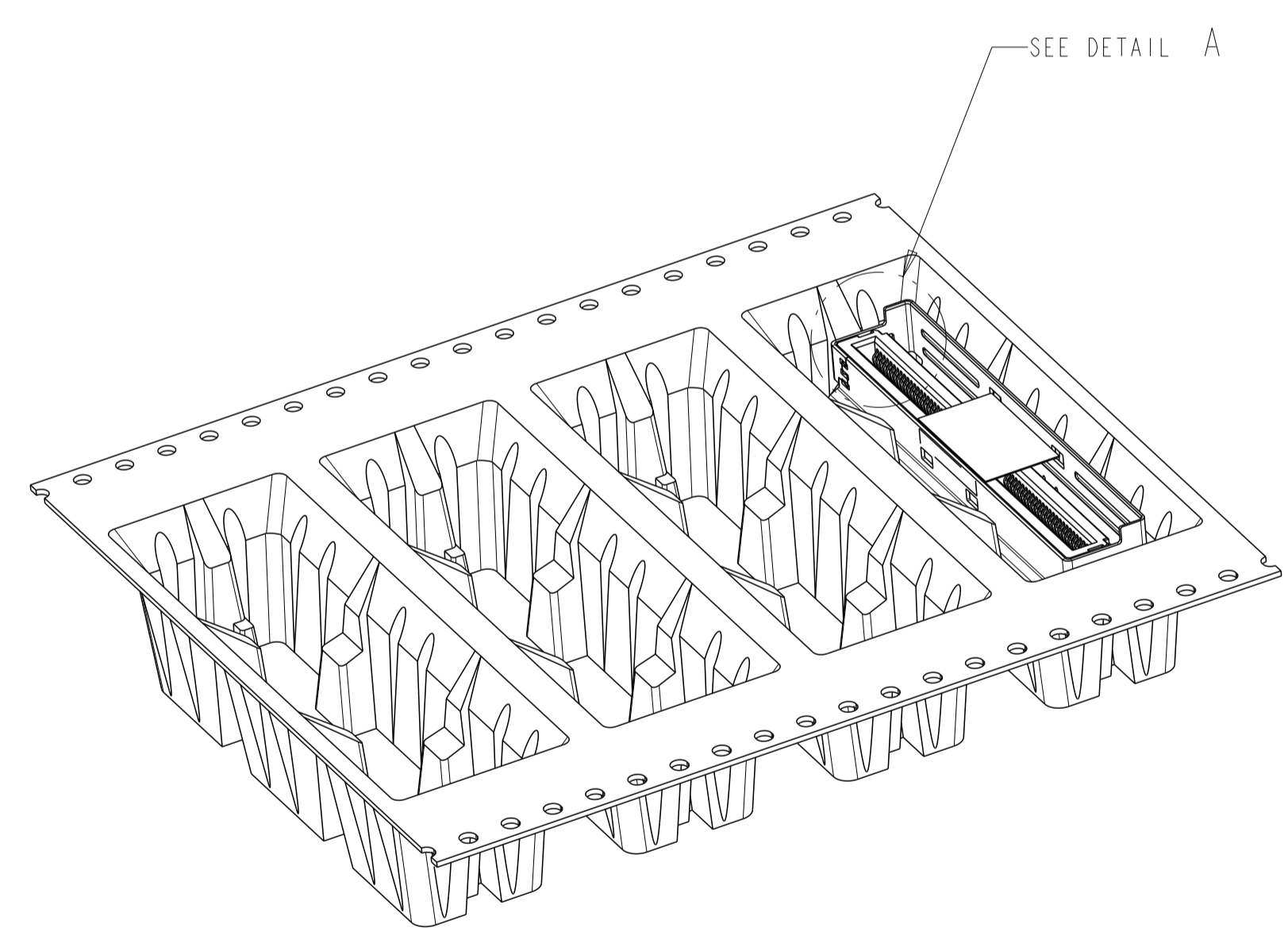
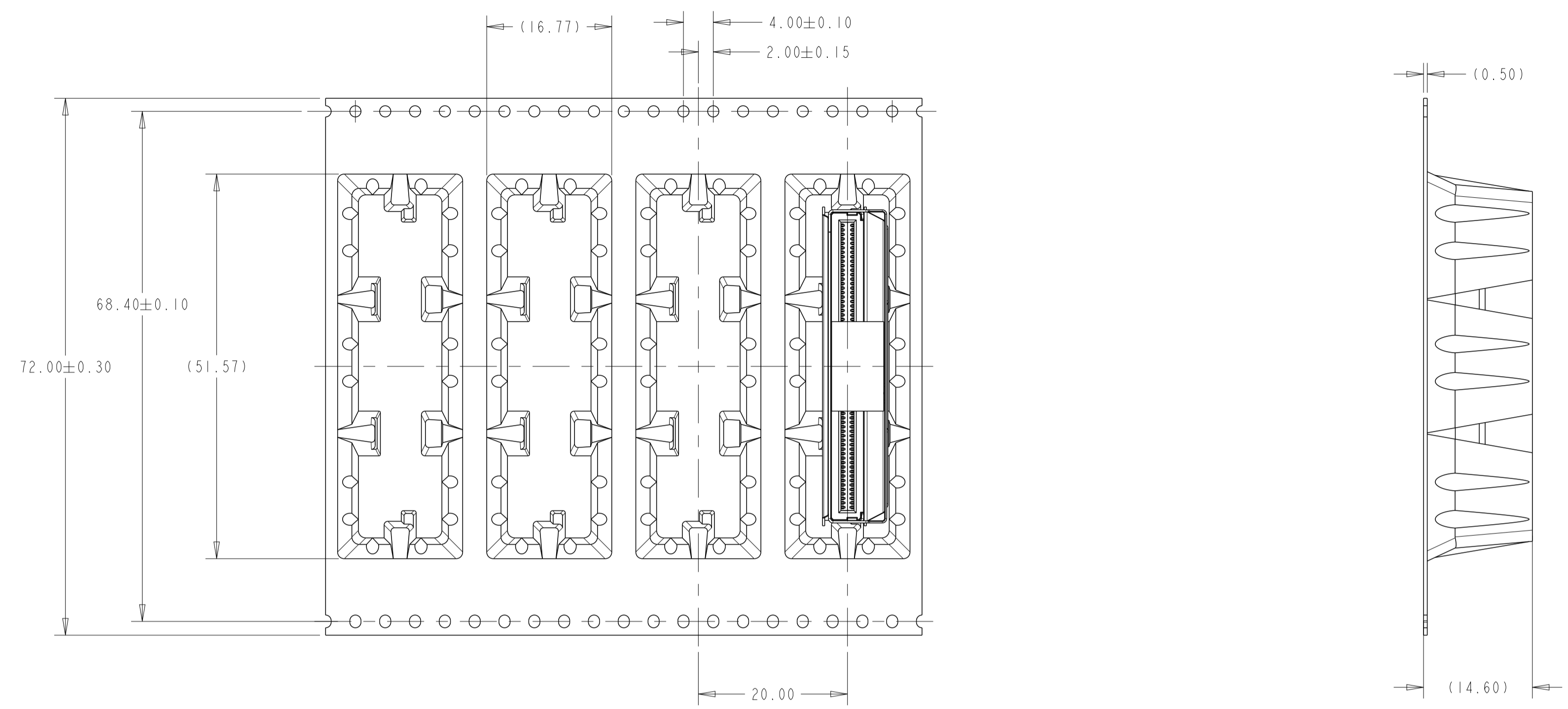
REVISIONS				
P	LTN	DESCRIPTION	DATE	APPD
-	-	SEE SHEET 1	-	-

RECOMMENDED AIC MATING CARD DIMENSIONS



THIS DRAWING IS A CONTROLLED DOCUMENT.		OWN: LEO LI 21-OCT-2020	TE Connectivity
DIMENSIONS: mm		CHK: DAVID ZHANG 21-OCT-2020	
TOLERANCES UNLESS OTHERWISE SPECIFIED:		APPD: DAVID ZHANG 21-OCT-2020	NAME: MINI COOL EDGE 10 INTEGRATED CONNECTOR, 0.6PITCH, VERTICAL STANDARD, 124P, SMT TYPE, 85ohm
0 PLC ± 1 PLC ±0.30 2 PLC ±0.20 3 PLC ±0.10 4 PLC ± ANGLES ±2° FINISH		PRODUCT SPEC: 108-60133 APPLICATION SPEC: 114-60030	
MATERIAL: -	WEIGHT: -	SIZE: A 00779	RESTRICTED TO: -
CUSTOMER DRAWING		SCALE: 5:1	SHEET 4 OF 5 REV A1

REVISIONS				
P	LTN	DESCRIPTION	DATE	APVD
-		SEE SHEET 1	-	-



DETAIL A
SCALE 5:1

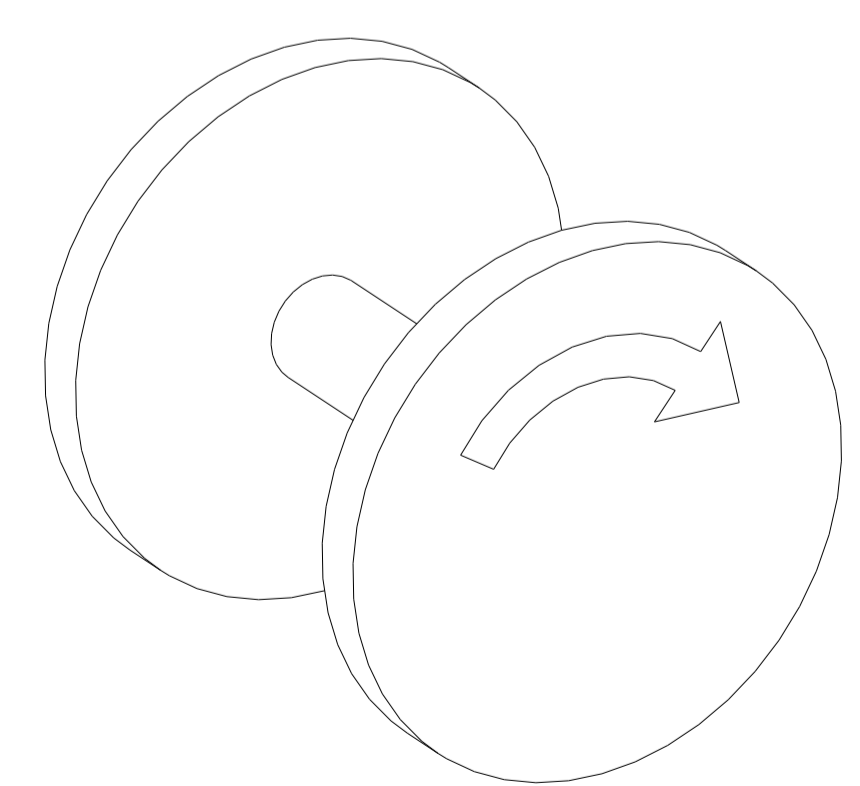


FIGURE 1
DIRECTION OFF TOP OF REEL
FOR USER UNREELING
SHOWN AS -1 THRU -8
SCALE 2:1

THIS DRAWING IS A CONTROLLED DOCUMENT.		OWN: LEO LI 21-OCT-2020	
		CHK: DAVID ZHANG 21-OCT-2020	
DIMENSIONS:		APVD: DAVID ZHANG 21-OCT-2020	NAME: MINI COOL EDGE 10 INTEGRATED CONNECTOR, 0.6PITCH, VERTICAL STANDARD, 124P, SMT TYPE, 85ohm
TOLERANCES UNLESS OTHERWISE SPECIFIED:		PRODUCT SPEC: 108-60133	
mm	0 PLC ±0.30	APPLICATION SPEC: 114-60030	SIZE: A
	1 PLC ±0.20	WEIGHT: -	CAGE CODE: 00779
	2 PLC ±0.10	CUSTOMER DRAWING	DRAWING NO: 2381578
	3 PLC ±0.10	SCALE: 5:1	SHEET: 5 OF 5
	4 PLC ±0.10		REV: A1
	ANGLES ±2°		
	FINISH -		