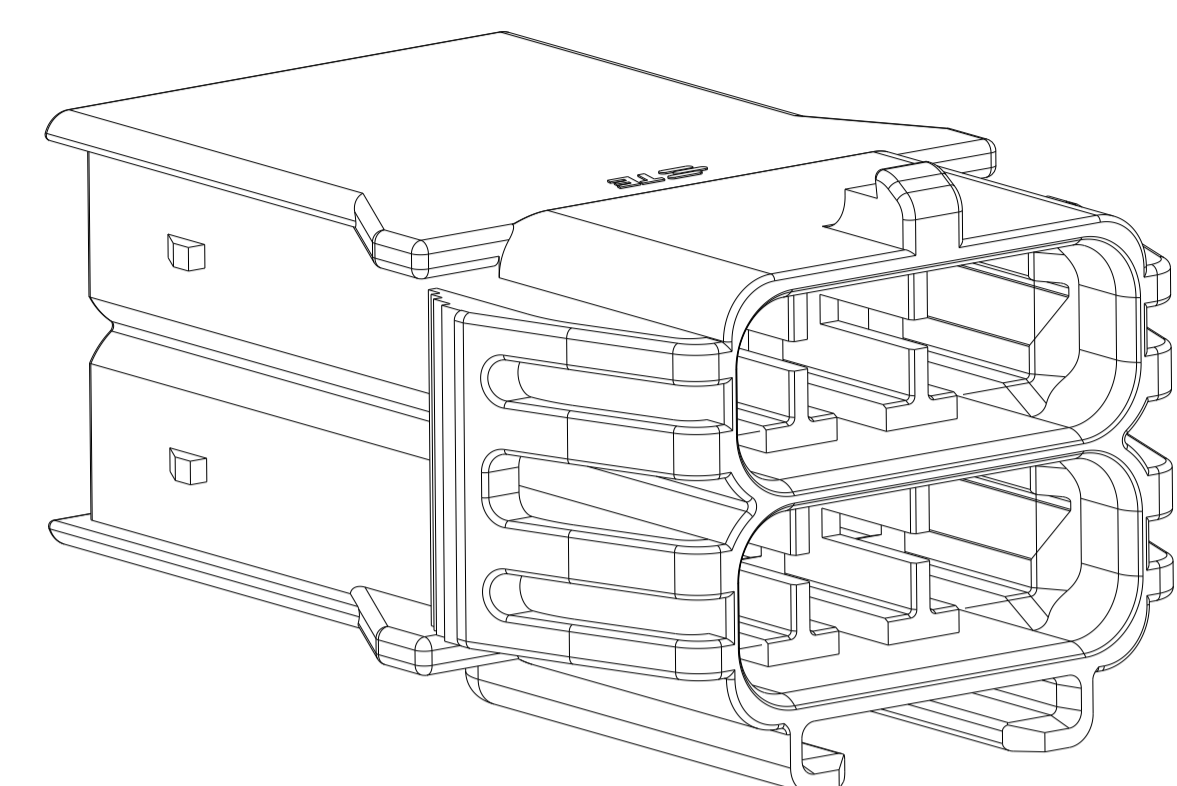
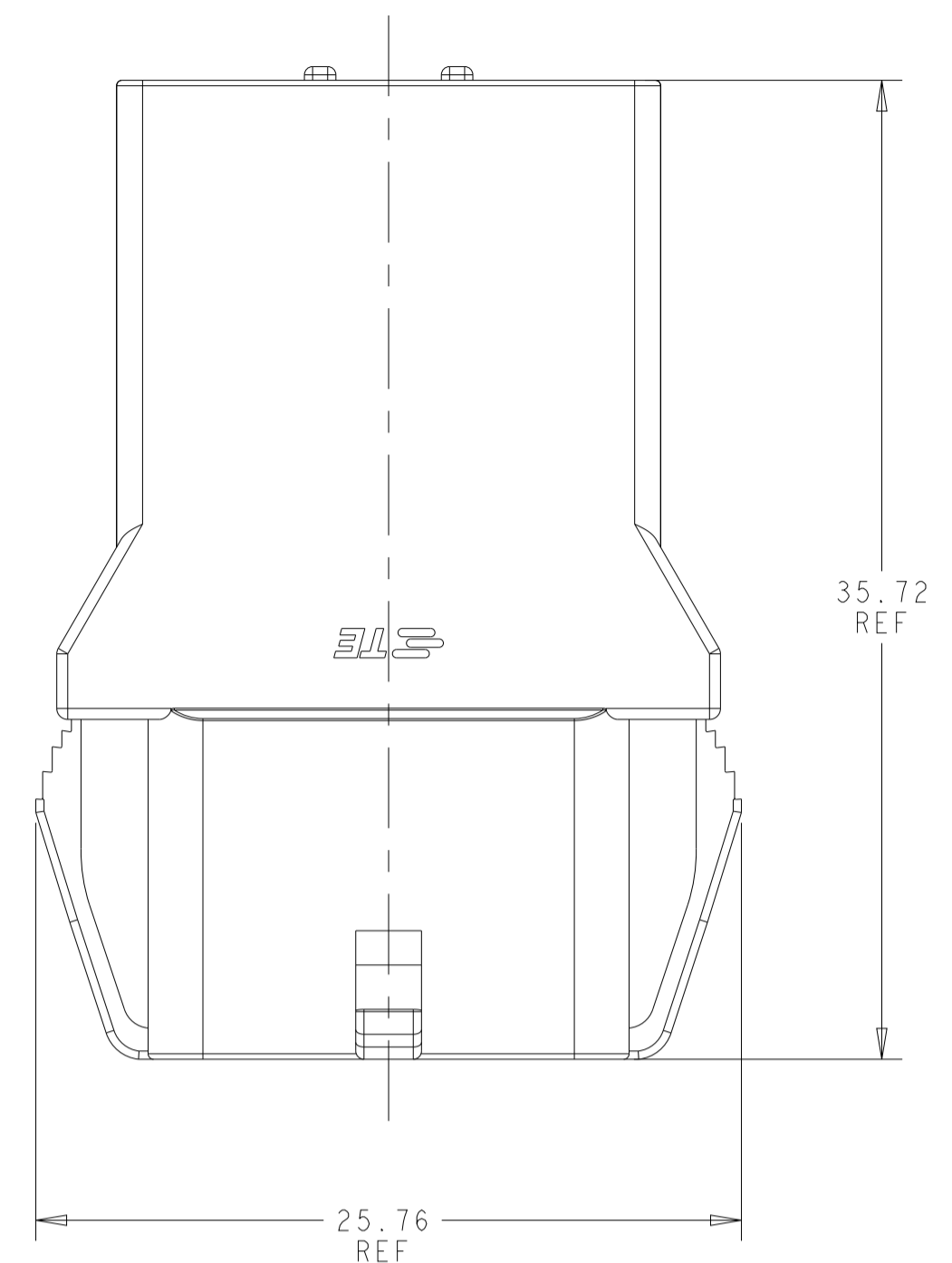
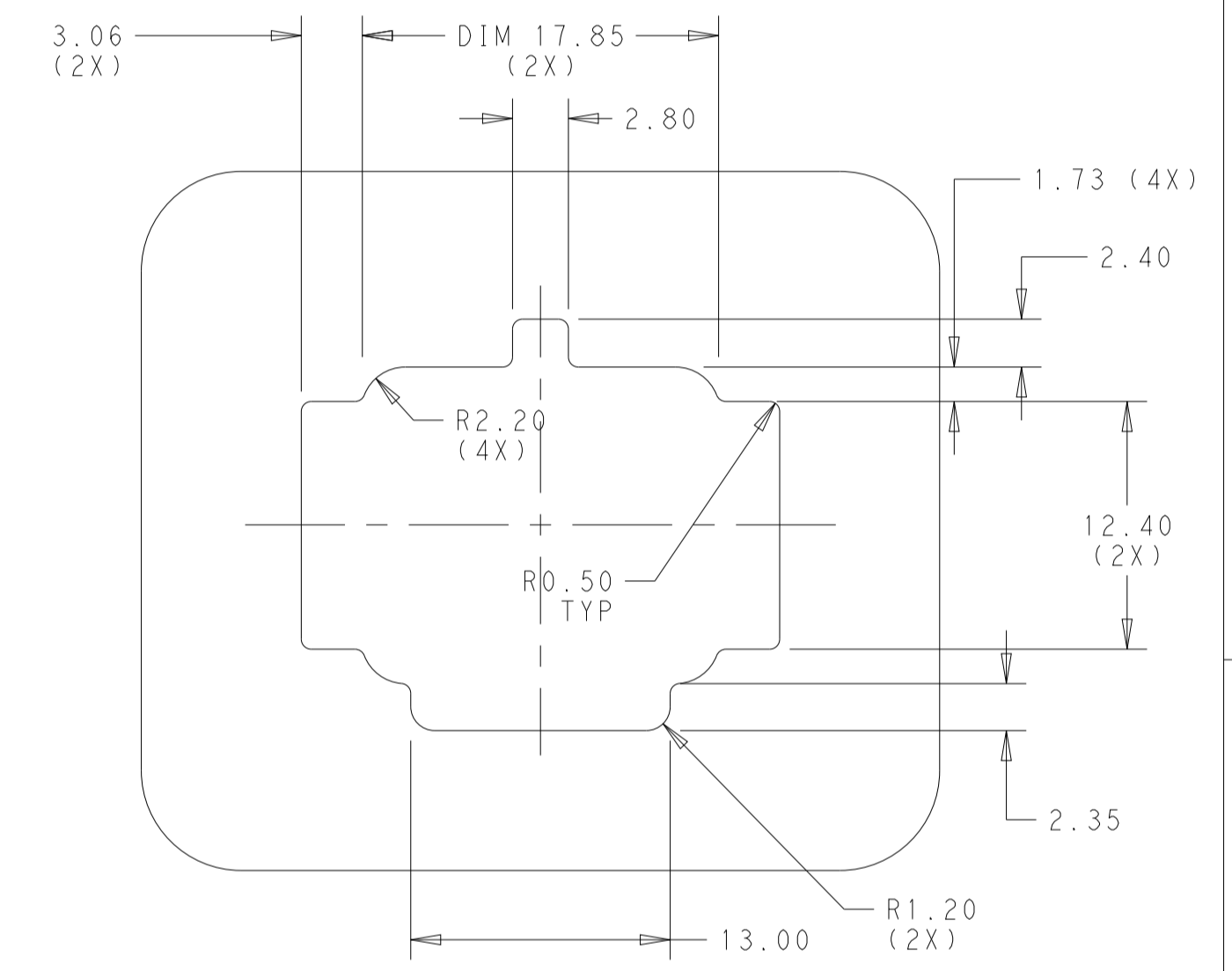
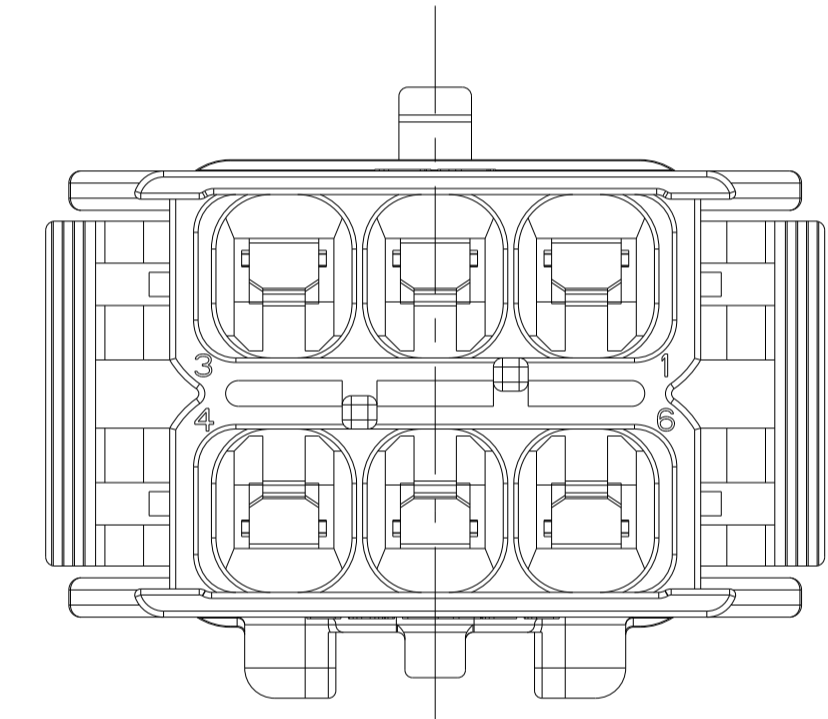
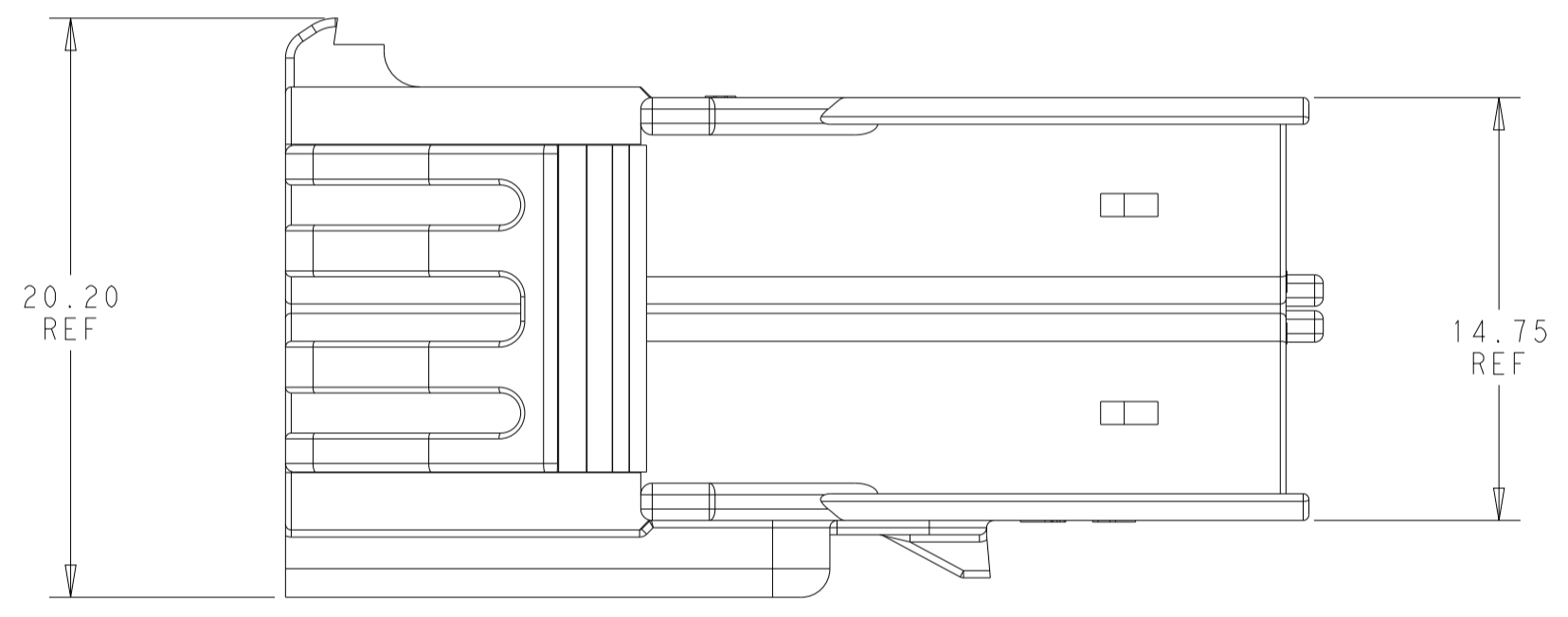
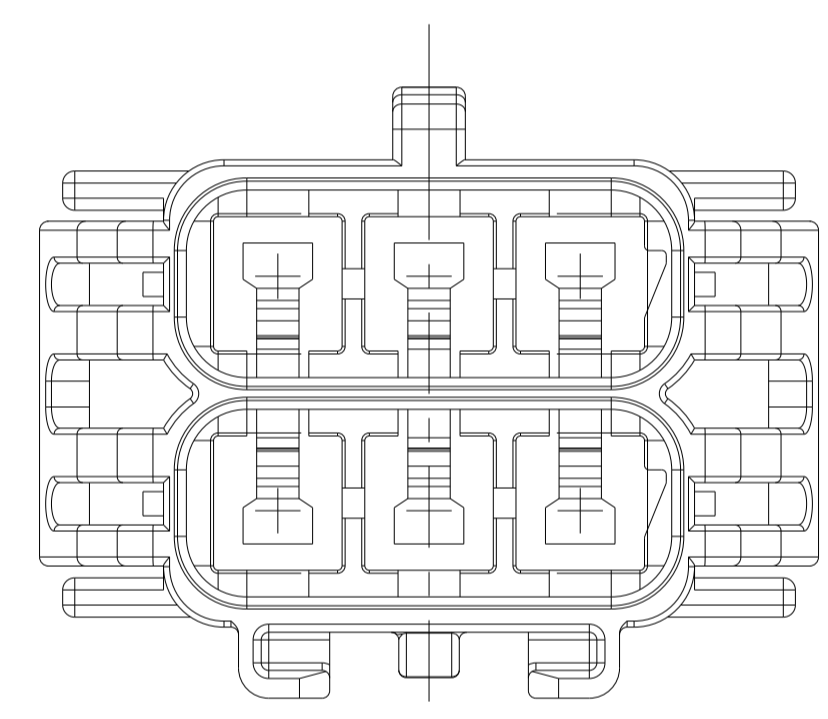


| REVISIONS | | | | |
|-----------|-----|----------------------------|-----------|--------|
| P | LTN | DESCRIPTION | DATE | APVD |
| A | | RELEASED PER ECO-20-003383 | 09MAR2020 | BKW DS |
| A1 | | REVISED PER ECR-20-100211 | 08AUG2020 | JP VS |
| B | | REVISED PER ECR-20-100662 | 09DEC2020 | PC DS |
| C | | REVISED PER ECR-22-142839 | 28JUL2022 | PJ VS |

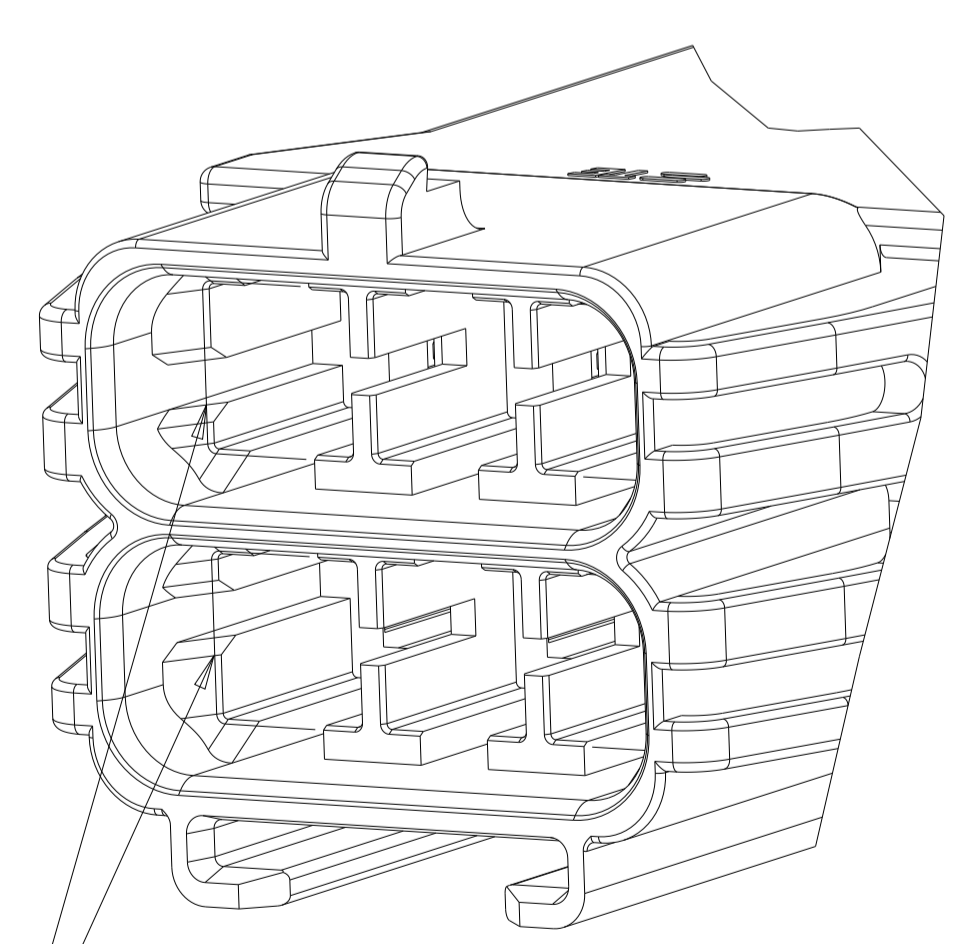
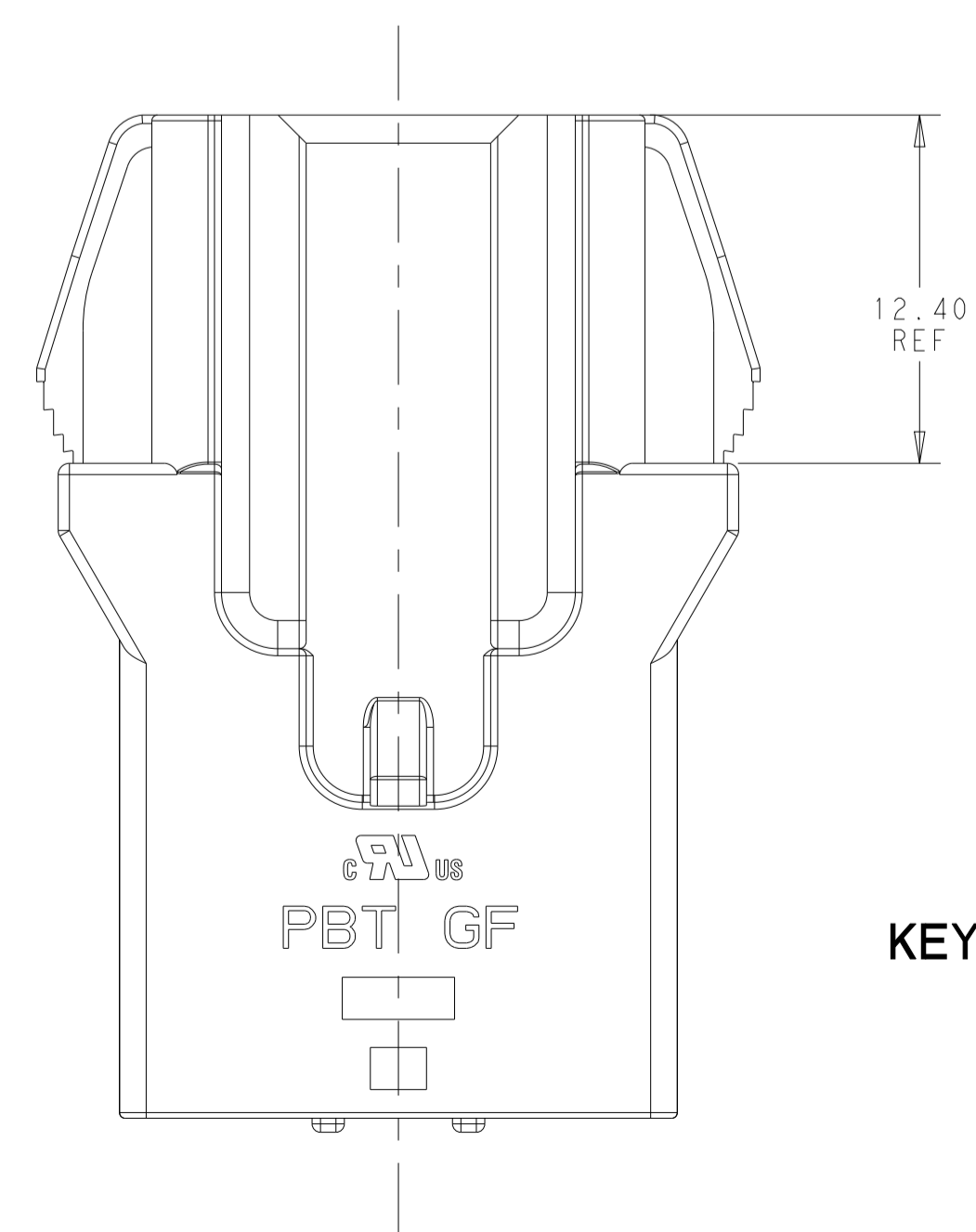


2x3 POSITION

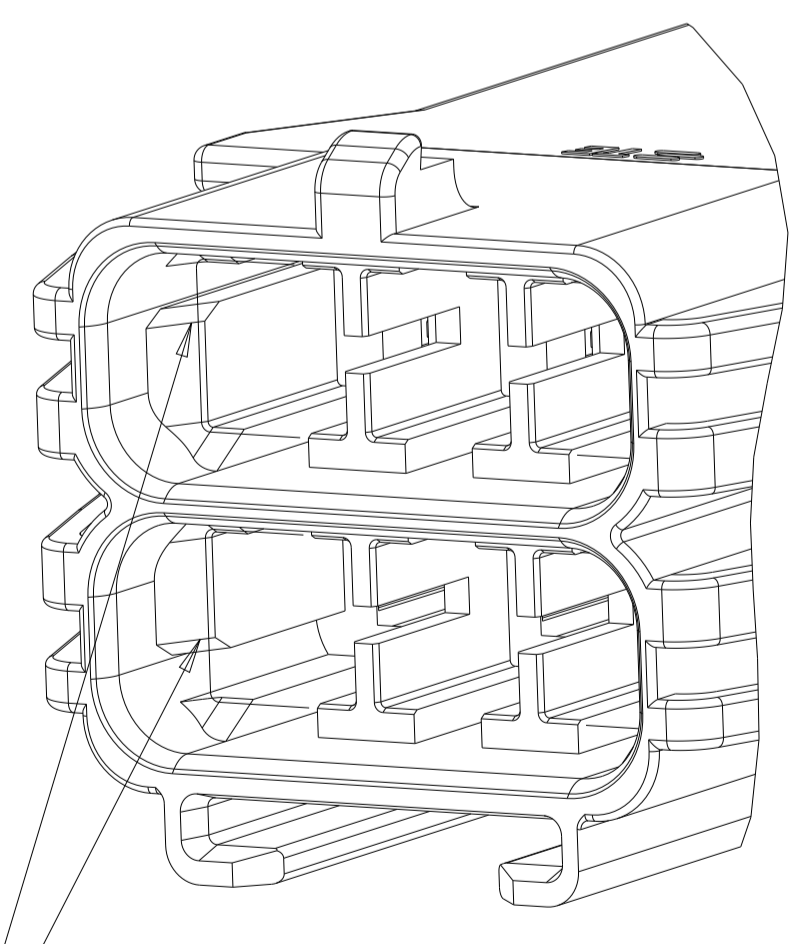
- 1. MATERIAL: PBT, GLASS FILLED
 - 2. FLAMMABILITY RATING: UL94 V-0
 - 3. APPLICABLE CONTACT P/N:
2329910-*/2329907-*/2329906-*/2329908-*/2329909-*/2329911-*/
2337140-*/2337139-*
 - 4. MATING CONNECTOR P/N
PLUG HSG: *2336229-*/2337912-*/
TPA: 2337218-6
PERIMETER SEAL: 2325347-3 (2 PER CAP)
GANG SEAL: 2325349-3 (2 PER CAP)
 - 5. RECOMMENDED PANEL THICKNESS: 0.80-2.00
 - 6. PANEL MUST BE PUNCHED SO THAT THE HOUSING ENTERS THE PANEL IN THE SAME DIRECTION AS THE PUNCH
- ⚠ PRELIMINARY PART - NOT RELEASED FOR PRODUCTION



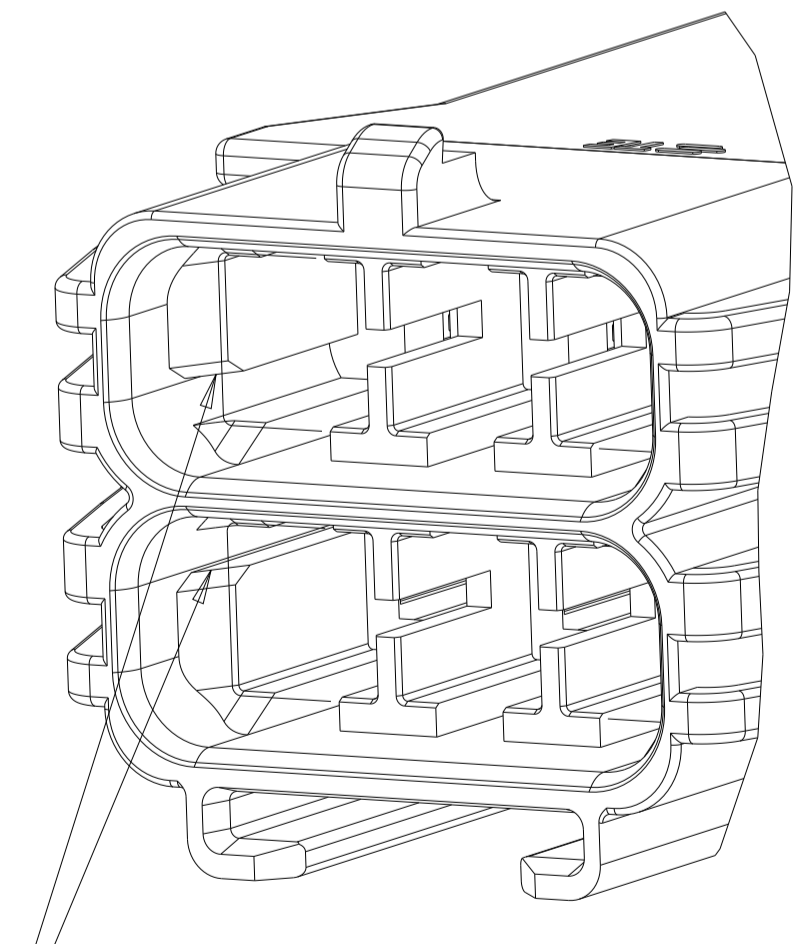
RECOMMENDED PANEL CUT-OUT
 (ALL DIMENSIONS ±0.15)



KEY A



KEY B



KEY C

| COLOR | KEYING | POSITIONS | PART NUMBER |
|------------|--------|-----------|-------------|
| BROWN | KEY C | 2*3 | 3-2337219-6 |
| LIGHT GRAY | KEY B | 2*3 | 2-2337219-6 |
| NATURAL | KEY A | 2*3 | 1-2337219-6 |

THIS DRAWING IS A CONTROLLED DOCUMENT.

| | | | | |
|------------------|--|--------------------------|------------------------------|-------------------------------|
| DIMENSIONS: | TOLERANCES UNLESS OTHERWISE SPECIFIED: | OWN: B. WEAVER 20JUN2018 | CHK: S. FERNANDES 20JUN2018 | APVD: C. YI 20JUN2018 |
| mm | 0 PLC ±0.35 2 PLC ±0.25 3 PLC ±0.25 4 PLC ±0.25 ANGLES ±0.5° FINISH | PRODUCT SPEC: 108-143081 | APPLICATION SPEC: 114-143082 | WEIGHT: - |
| MATERIAL: PBT GF | | SIZE: A1 | CAGE CODE: 00779 | DRAWING NO: C=2337219 |
| | | CUSTOMER DRAWING | | SCALE: 4:1 SHEET 1 OF 1 REV C |

TE Connectivity

CAP HOUSING, POWER VERSA-LOCK