

1-225550-3 ✓ ACTIVE

AMP | AMP TNC

TE Internal #: 1-225550-3

TNC RF Interface, Plug, 50 Ω , RG 393, Threaded, 11 GHz Operating Frequency, 1 Position, Wire & Cable, Cable Mount (Free-Hanging), AMP TNC

[View on TE.com >](#)



Connectors > RF Connectors > Coax Connectors



RF Interface: **TNC**

RF Connector Style: **Plug**

RF Connector Mated Outer Diameter (Approximate): **16.26 mm [.64 in]**

Impedance: **50 Ω**

Compatible With RF Cable Type: **RG 393**

Features

Product Type Features

Connector Seal & Plug Type	Interfacial Seal
RF Interface	TNC
RF Connector Style	Plug
Compatible With RF Cable Type	RG 393
Connector & Contact Terminates To	Wire & Cable

Configuration Features

Number of Positions	1
Number of Coaxial Contacts	1

Electrical Characteristics

Impedance	50 Ω
-----------	-------------

Body Features

Cable Connector Orientation	Straight
Body Material	Phosphor Bronze
Body Material Finish	Plated
Body Plating Material	Silver

Contact Features

RF Connector Center Contact Underplating Material	Nickel
Crimp Type	Dual



RF Connector Center Contact Plating Material	Gold
RF Connector Center Contact Material	Phosphor Bronze

Termination Features

Termination Method to Wire & Cable	Crimp
------------------------------------	-------

Mechanical Attachment

RF Connector Coupling Mechanism	Threaded
Connector Mounting Type	Cable Mount (Free-Hanging)
RF Contact Captivation Method	Mechanical

Dimensions

RF Connector Mated Outer Diameter (Approximate)	16.26 mm[.64 in]
---	------------------

Usage Conditions

Operating Temperature Range	-55 – 125 °C[-67 – 257 °F]
-----------------------------	----------------------------

Operation/Application

Operating Frequency	11 GHz
---------------------	--------

Packaging Features

Packaging Method	Carton
------------------	--------

Other

Grade	Military
Dielectric Material	PTFE

Product Compliance

[For compliance documentation, visit the product page on TE.com>](#)

EU RoHS Directive 2011/65/EU	Compliant with Exemptions
EU ELV Directive 2000/53/EC	Compliant with Exemptions
China RoHS 2 Directive MIIT Order No 32, 2016	Restricted Materials Above Threshold
EU REACH Regulation (EC) No. 1907/2006	Current ECHA Candidate List: JUNE 2024 (241) Candidate List Declared Against: JUNE 2023 (235) SVHC > Threshold: Pb (3.7% in base metal) Article Safe Usage Statements: Do not eat, drink or smoke when using this product. Wash thoroughly after handling. Recycle if possible and dispose of the article by following all applicable governmental regulations relevant to your geographic location.
Halogen Content	Low Bromine/Chlorine - Br and Cl < 900 ppm per homogenous material. Also BFR

/CFR/PVC Free

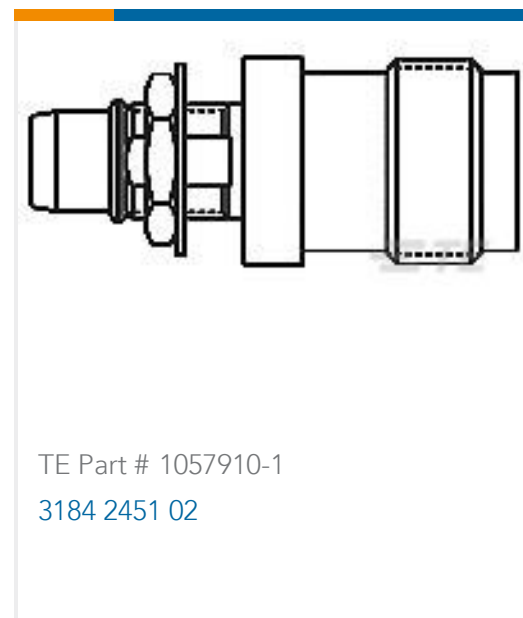
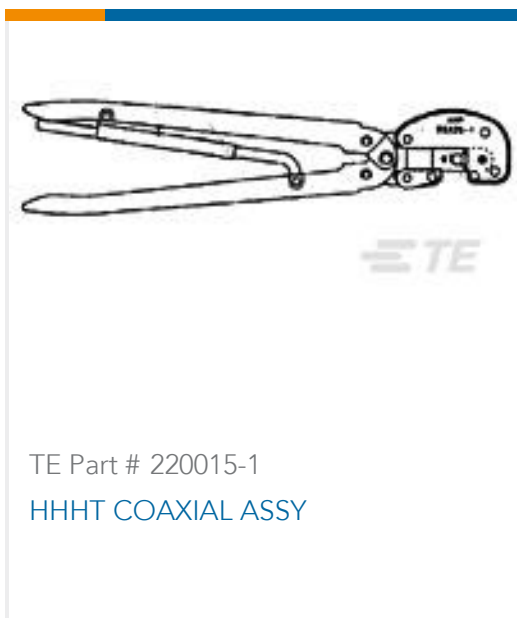
Solder Process Capability

Not applicable for solder process capability

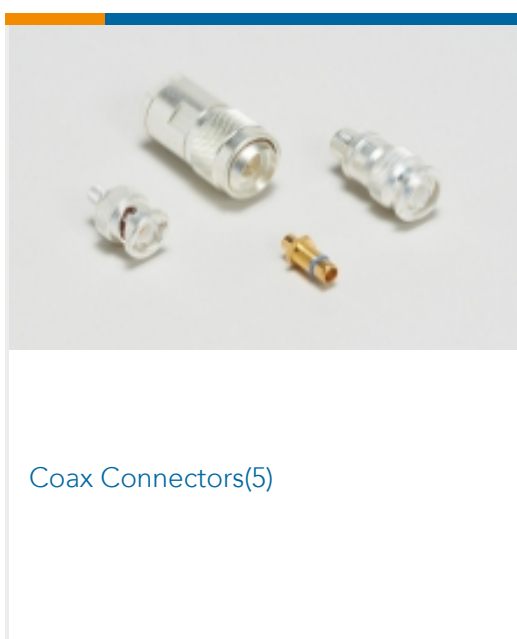
Product Compliance Disclaimer

This information is provided based on reasonable inquiry of our suppliers and represents our current actual knowledge based on the information they provided. This information is subject to change. The part numbers that TE has identified as EU RoHS compliant have a maximum concentration of 0.1% by weight in homogenous materials for lead, hexavalent chromium, mercury, PBB, PBDE, DBP, BBP, DEHP, DIBP, and 0.01% for cadmium, or qualify for an exemption to these limits as defined in the Annexes of Directive 2011/65/EU (RoHS2). Finished electrical and electronic equipment products will be CE marked as required by Directive 2011/65/EU. Components may not be CE marked. Additionally, the part numbers that TE has identified as EU ELV compliant have a maximum concentration of 0.1% by weight in homogenous materials for lead, hexavalent chromium, and mercury, and 0.01% for cadmium, or qualify for an exemption to these limits as defined in the Annexes of Directive 2000/53/EC (ELV). Regarding the REACH Regulation, the information TE provides on SVHC in articles for this part number is based on the latest European Chemicals Agency (ECHA) 'Guidance on requirements for substances in articles' posted at this URL: <https://echa.europa.eu/guidance-documents/guidance-on-reach>

Compatible Parts

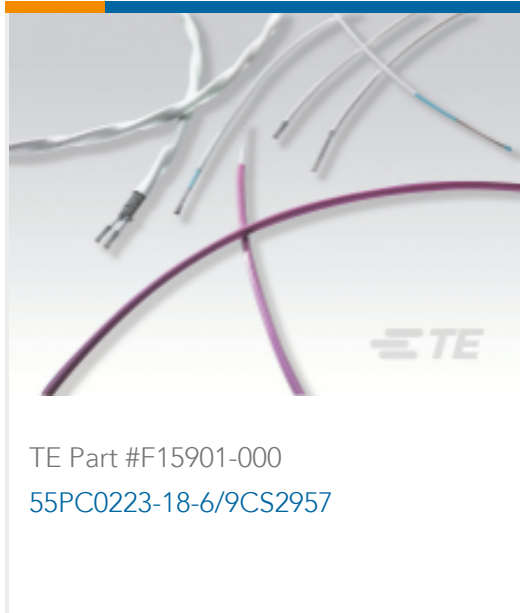
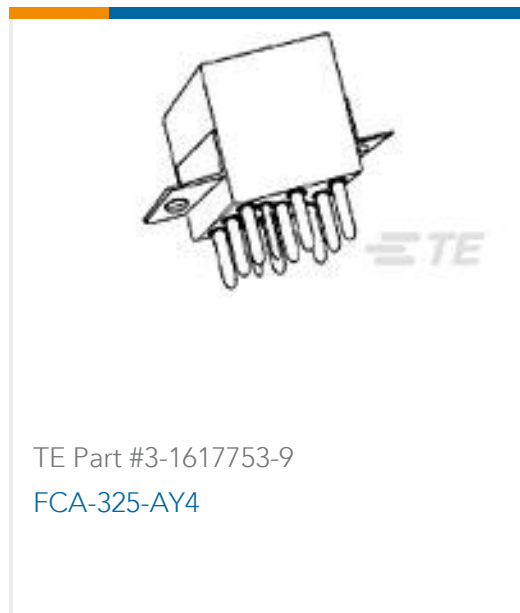
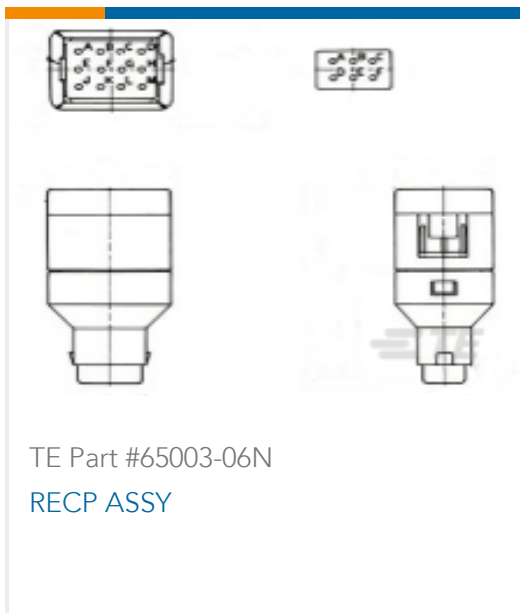


Also in the Series | AMP TNC



Customers Also Bought





Documents

Product Drawings

TNC PLUG

English

CAD Files

3D PDF

3D

Customer View Model

[ENG_CVM_CVM_1-225550-3_W_c-1-225550-3-w.2d_dxf.zip](#)

English

Customer View Model

[ENG_CVM_CVM_1-225550-3_W_c-1-225550-3-w.3d_igs.zip](#)

English

Customer View Model

[ENG_CVM_CVM_1-225550-3_W_c-1-225550-3-w.3d_stp.zip](#)

English

By downloading the CAD file I accept and agree to the [Terms and Conditions](#) of use.

Product Specifications

Product Specification

English

Instruction Sheets

Instruction Sheet (U.S.)

English