



Connectors > Automotive Connectors > Automotive Housings > MCON Connector Housing



Connector & Housing Type: **Housing for Female Terminals**

Mating Tab Width: **1.2 mm, 2.8 mm [.047 in, .11 in]**

Connector System: **Wire-to-Board, Wire-to-Wire**

Number of Positions: **91**

Centerline (Pitch): **2.5 mm, 3 mm, 3.5 mm, 5 mm [.098 in, .118 in, .137 in, .196 in]**

[All MCON Connector Housing \(282\)](#)

Features

Product Type Features

Connector Shape	Rectangular
Connector & Housing Type	Housing for Female Terminals
Connector System	Wire-to-Board, Wire-to-Wire
Sealable	Yes
Hybrid Connector	Yes
Primary Locking Feature	On the Terminal
Connector & Contact Terminates To	Wire & Cable

Configuration Features

Number of Positions	91
Number of Rows	5

Electrical Characteristics

Nominal Voltage Architecture	12 V, 24 V
------------------------------	------------

Body Features



Primary Product Color	Black
Connector & Keying Code	1

Contact Features

Contact Size	1.2mm, 2.8mm
Contact Type	Receptacle
Mating Tab Width	1.2 mm, 2.8 mm [.047 in][.11 in]
Contact Current Rating (Max)	15 A, 30 A

Mechanical Attachment

Terminal Position Assurance	No
Mating Alignment Type	Keyed
Mating Alignment	With
Connector Mounting Type	Cable Mount (Free-Hanging)

Housing Features

Housing Material	PA GF
Centerline (Pitch)	2.5 mm, 3 mm, 3.5 mm, 5 mm [.098 in][.118 in][.137 in][.196 in]

Dimensions

Connector Height	36.9 mm
Product Width	48.36 mm
Product Length	82.95 mm
Row-to-Row Spacing	2.8 mm

Usage Conditions

Operating Temperature (Max)	130 °C [266 °F]
Operating Temperature Range	-40 – 130 °C [-40 – 266 °F]

Operation/Application

Circuit Application	Power & Signal
---------------------	----------------

Industry Standards

Degree of Protection	IPX9K
Agency/Standard	LV214

Packaging Features

Packaging Method	Box
------------------	-----

Other



Serviceable	Yes
Connector Position Assurance Capable	No

Product Compliance

[For compliance documentation, visit the product page on TE.com>](#)

EU RoHS Directive 2011/65/EU	Compliant
EU ELV Directive 2000/53/EC	Compliant
China RoHS 2 Directive MIIT Order No 32, 2016	No Restricted Materials Above Threshold
EU REACH Regulation (EC) No. 1907/2006	Current ECHA Candidate List: JAN 2023 (233) Candidate List Declared Against: JUNE 2022 (224) Does not contain REACH SVHC
Halogen Content	Low Halogen - Br, Cl, F, I < 900 ppm per homogenous material. Also BFR/CFR/PVC Free
Solder Process Capability	Not reviewed for solder process capability

Product Compliance Disclaimer

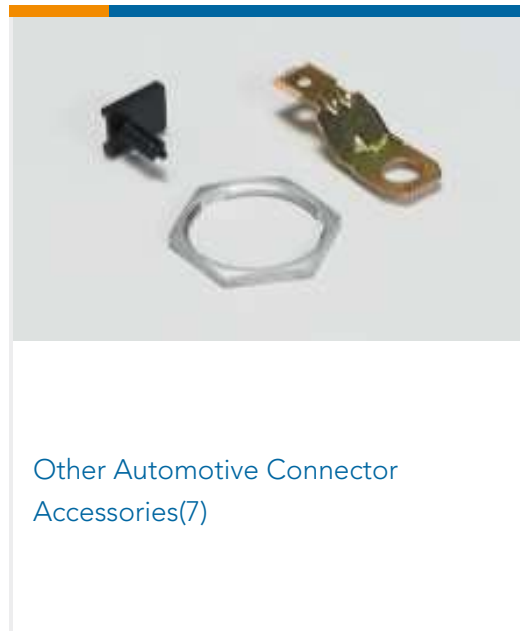
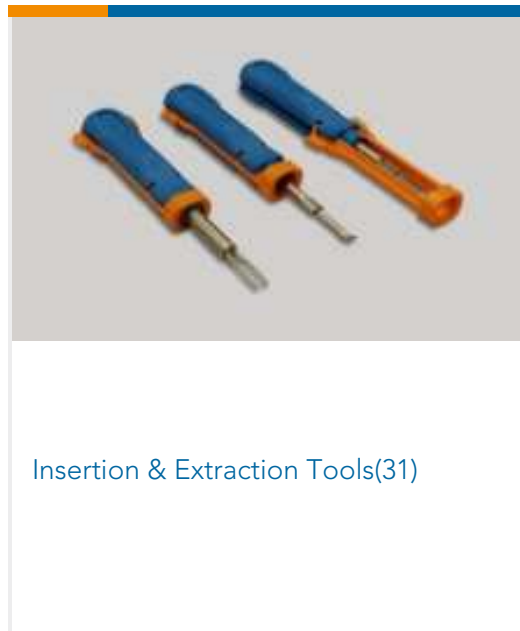
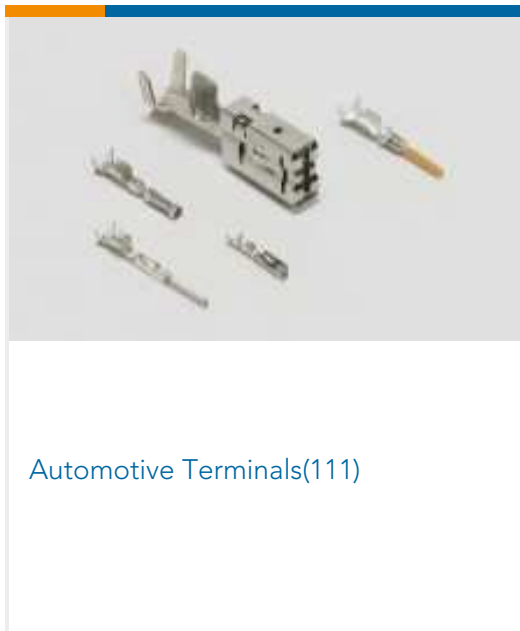
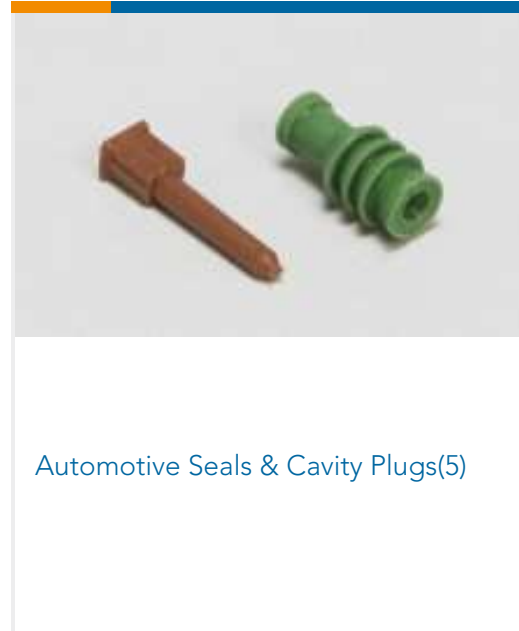
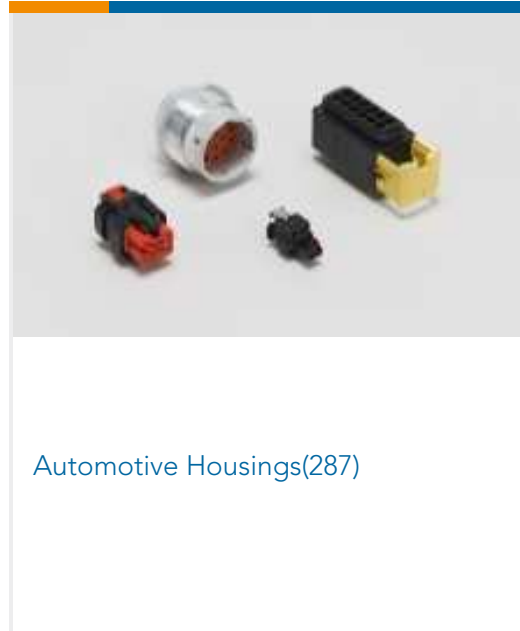
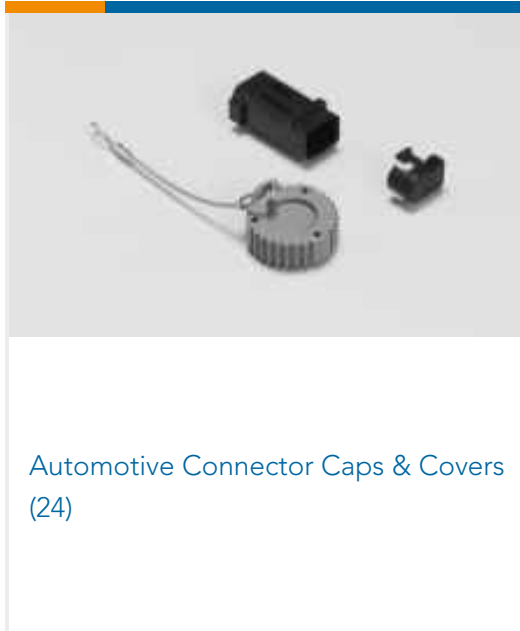
This information is provided based on reasonable inquiry of our suppliers and represents our current actual knowledge based on the information they provided. This information is subject to change. The part numbers that TE has identified as EU RoHS compliant have a maximum concentration of 0.1% by weight in homogenous materials for lead, hexavalent chromium, mercury, PBB, PBDE, DBP, BBP, DEHP, DIBP, and 0.01% for cadmium, or qualify for an exemption to these limits as defined in the Annexes of Directive 2011/65/EU (RoHS2). Finished electrical and electronic equipment products will be CE marked as required by Directive 2011/65/EU. Components may not be CE marked. Additionally, the part numbers that TE has identified as EU ELV compliant have a maximum concentration of 0.1% by weight in homogenous materials for lead, hexavalent chromium, and mercury, and 0.01% for cadmium, or qualify for an exemption to these limits as defined in the Annexes of Directive 2000/53/EC (ELV). Regarding the REACH Regulation, the information TE provides on SVHC in articles for this part number is based on the latest European Chemicals Agency (ECHA) 'Guidance on requirements for substances in articles' posted at this URL: <https://echa.europa.eu/guidance-documents/guidance-on-reach>

Compatible Parts

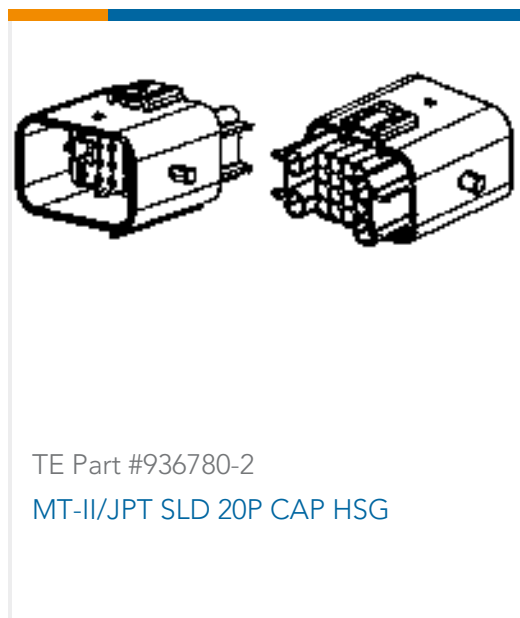
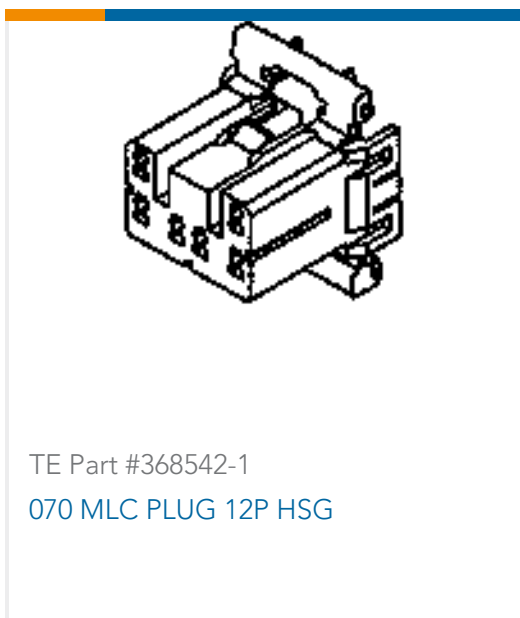


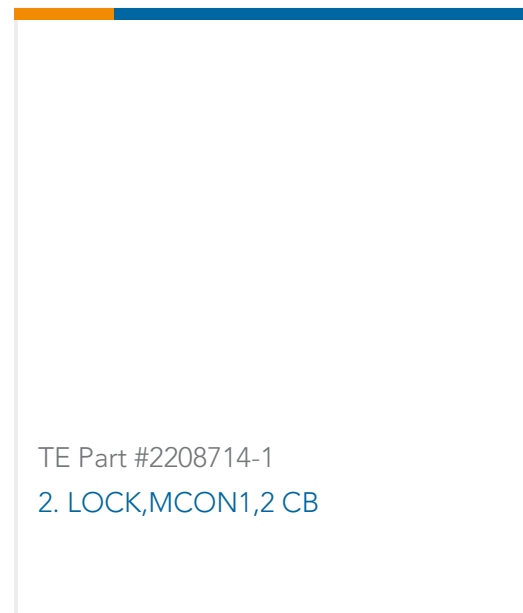


Also in the Series | MCON Interconnection System



Customers Also Bought





Documents

Product Drawings

[91POS, MIXED,REC HSG,ASSY,SEALED](#)

English

CAD Files

[3D PDF](#)

3D

Customer View Model

[ENG_CVM_CVM_1-2208709-1_B.2d_dxf.zip](#)

English

Customer View Model

[ENG_CVM_CVM_1-2208709-1_B.3d_igs.zip](#)

English

Customer View Model

[ENG_CVM_CVM_1-2208709-1_B.3d_stp.zip](#)

English

By downloading the CAD file I accept and agree to the [Terms and Conditions](#) of use.

Product Specifications

[Application Specification](#)

English