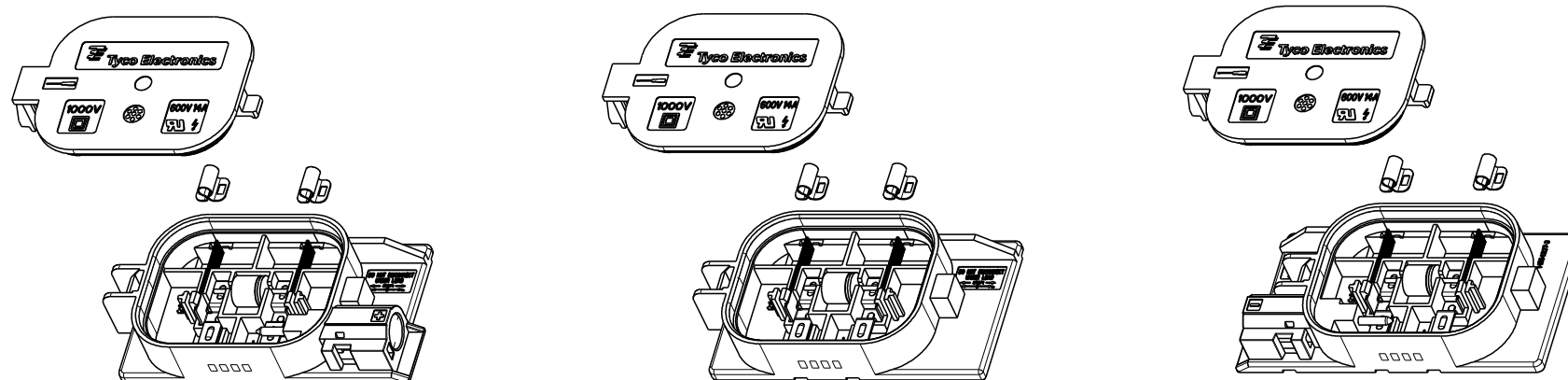


REVISIONS

P	LTR	DESCRIPTION	DATE	DWN	APVD
	B1	ECR-12-006666	12APR2012	LP	CD
	B2	INSTANCES -1, -2 AND -3 ARE MADE OBSOLETE	10MAR2014	KR	TD
	B3	ECR-15-000869	22JAN2015	SD	DT

AS SHOWN 1-2134417-X



- 1 POLARITY MARK.
- 2 DANGEROUS VOLTAGE MARK.
- 3 SAFTY CLASS II MARK.
- 4 SCREW DRIVER SYMBOL.
- 5 SAFTY ADVISE.
- 6 DATE CODE
- 7 INSTALLATION MANUAL ; 411-78357
- 8 SL1515B DIODE FOR 1-2134417-X
DIODE SPECIFICATION ; 108-94244

ACTIVE	APPLICABLE CONNECTOR	RATED CURRENT	PACKING QTY	COMPONENTS					DESCRIPTION	PART NUMBER
				5	4	3	2	1		
ACTIVE	1987287-2	14	80	2	1	1	-	-	KIT ASSEMBLY (MINUS)	1-2134417-3
ACTIVE	N/A	14	80	2	1	-	1	-	KIT ASSEMBLY (CENTER)	1-2134417-2
ACTIVE	1987287-1	14	80	2	1	-	-	1	KIT ASSEMBLY (PLUS)	1-2134417-1

THIS DRAWING IS A CONTROLLED DOCUMENT.

DWN	T. OIKAWA	25AUG2010
CHK	M. HARASAWA	25AUG2010
APVD	M. HARASAWA	25AUG2010
PRODUCT SPEC	108-78694	
APPLICATION SPEC	-	
WEIGHT	-	

Customer Drawing

TE Connectivity

MONO PIECE JUNCTION BOX KIT ASSY

SIZE: A3 CAGE CODE: - DRAWING NO: C=2134417 RESTRICTED TO: -

SCALE: 1:2 SHEET: 1 OF 4 REV: B3

4

3

2

1

THIS DRAWING IS UNPUBLISHED.

RELEASED FOR PUBLICATION

20

© COPYRIGHT 20

BY - TE CONNECTIVITY

ALL RIGHTS RESERVED.

REVISIONS

P	LTR	DESCRIPTION	DATE	DWN	APVD
-	-	SEE SHEET 1	-	-	-

AS SHOWN 1-2134417-1

THIS DRAWING IS A CONTROLLED DOCUMENT.

DWN T. OIKAWA 25AUG2010

CHK M. HARASAWA 25AUG2010

APVD M. HARASAWA 25AUG2010

PRODUCT SPEC

108-78694

APPLICATION SPEC

WEIGHT -

Customer Drawing

NAME
MONO PIECE JUNCTION BOX
KIT ASSY

SIZE CAGE CODE DRAWING NO RESTRICTED TO

A3 - C-2134417 -

SCALE 1:2 SHEET 2 OF 4 REV B3

DIMENSIONS:

mm

TOLERANCES UNLESS
OTHERWISE SPECIFIED:

0 PLC	±0.2
1 PLC	±0
2 PLC	±0.1
3 PLC	±0.1
4 PLC	±0.0001
ANGLES	±

FINISH

MATERIAL

-

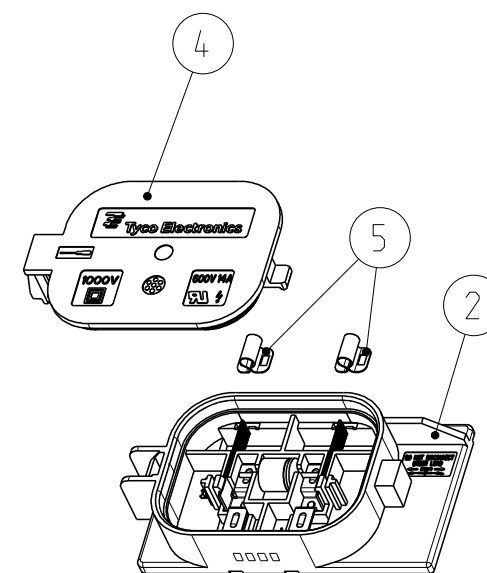
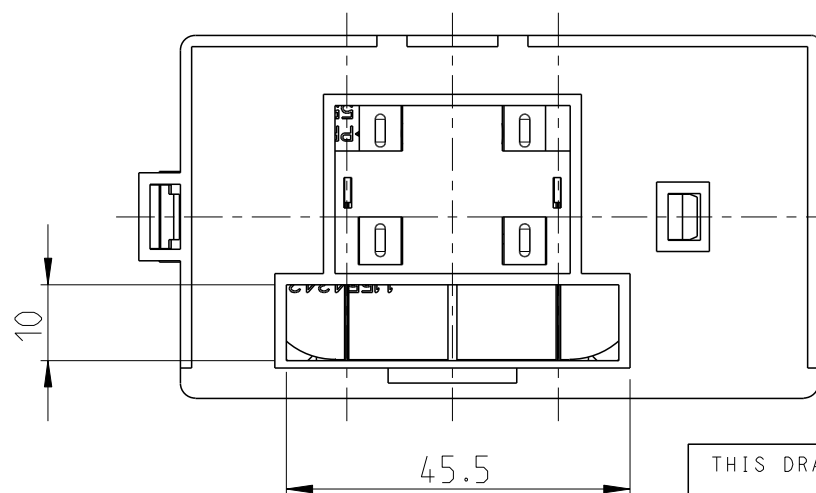
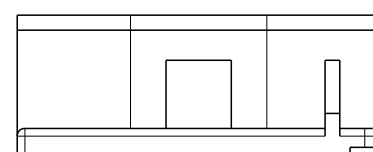
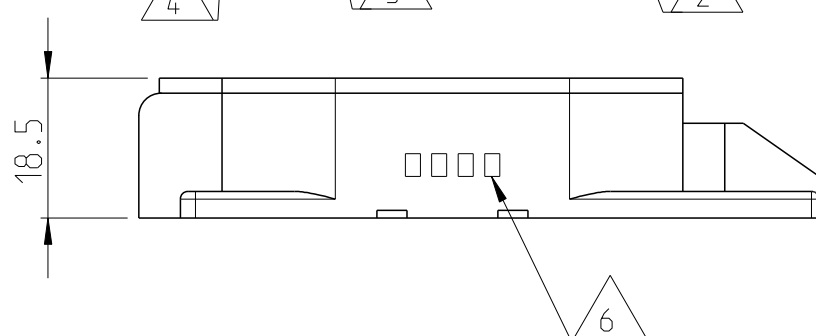
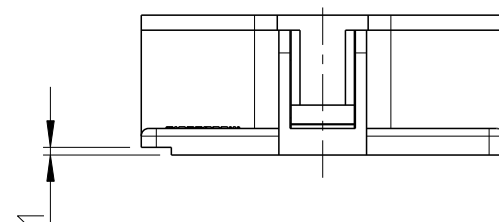
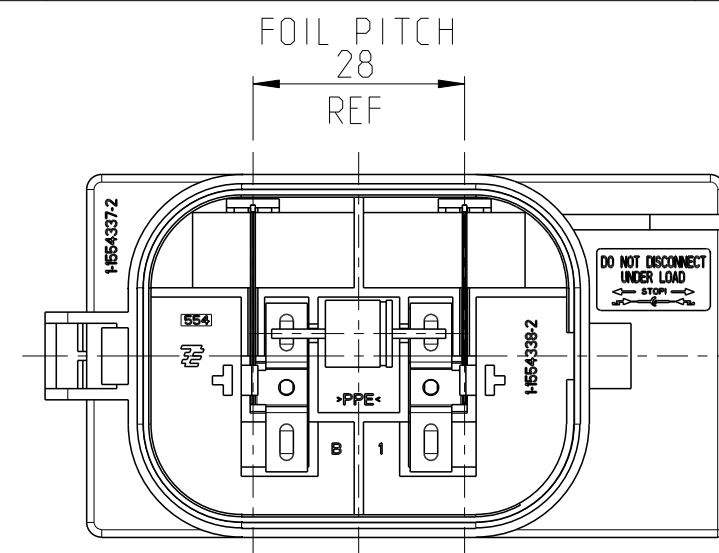
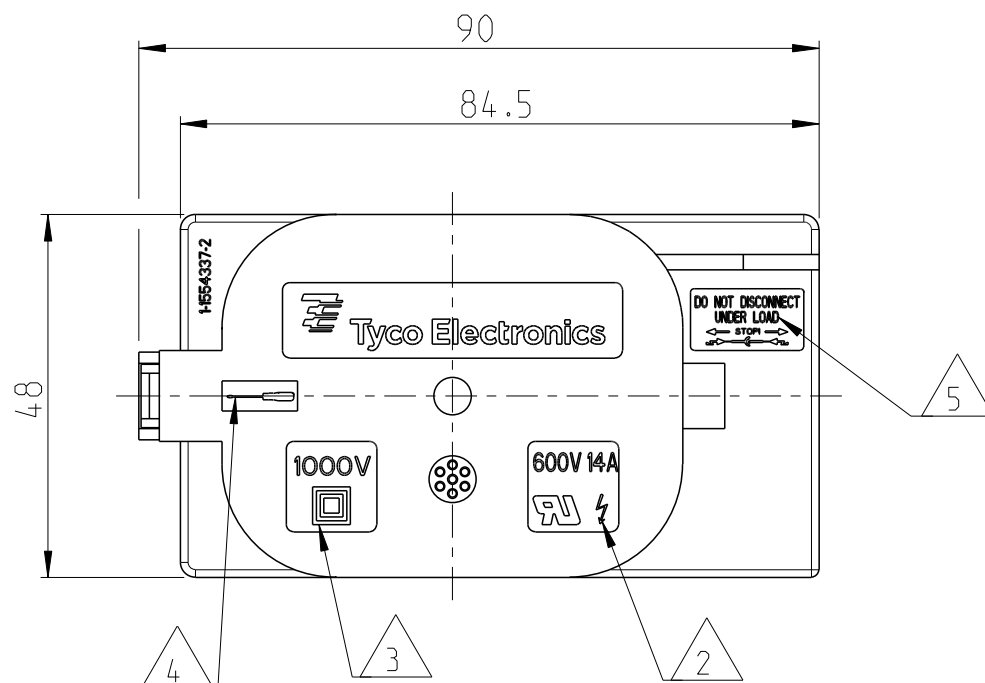
-

1470-19 (3/13)

REVISIONS

P	LTR	DESCRIPTION	DATE	DWN	APVD
-	-	SEE SHEET 1	-	-	-

AS SHOWN 1-2134417-2



SCALE 1:2

THIS DRAWING IS A CONTROLLED DOCUMENT.

DIMENSIONS:	TOLERANCES UNLESS OTHERWISE SPECIFIED:
mm	
	0 PLC ±0.2
	1 PLC ±0
	2 PLC ±0.1
	3 PLC ±0.1
	4 PLC ±0.0001
	ANGLES ±
MATERIAL	FINISH
-	-
-	-

DWN	T. OIKAWA	25AUG2010
CHK	M. HARASAWA	25AUG2010
APVD	M. HARASAWA	25AUG2010
PRODUCT SPEC	108-78694	
APPLICATION SPEC	-	
WEIGHT	-	
Customer Drawing		

		TE Connectivity	
		NAME	
MONO PIECE JUNCTION BOX KIT ASSY		SIZE	RESTRICTED TO
A3	-	DRAWING NO	-
CAGE CODE		SCALE	SHEET
-		1:2	3 OF 4
DRAWING NO		REV	APVD
C-2134417		B3	-

THIS DRAWING IS UNPUBLISHED.

RELEASED FOR PUBLICATION

20

© COPYRIGHT 20

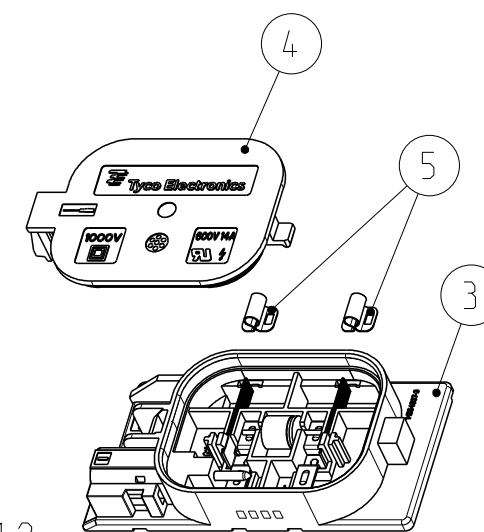
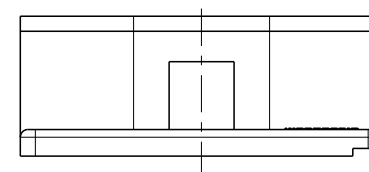
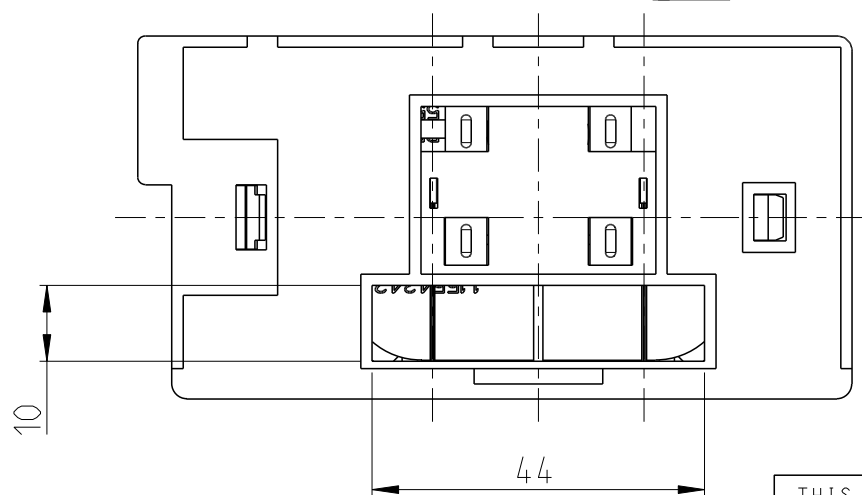
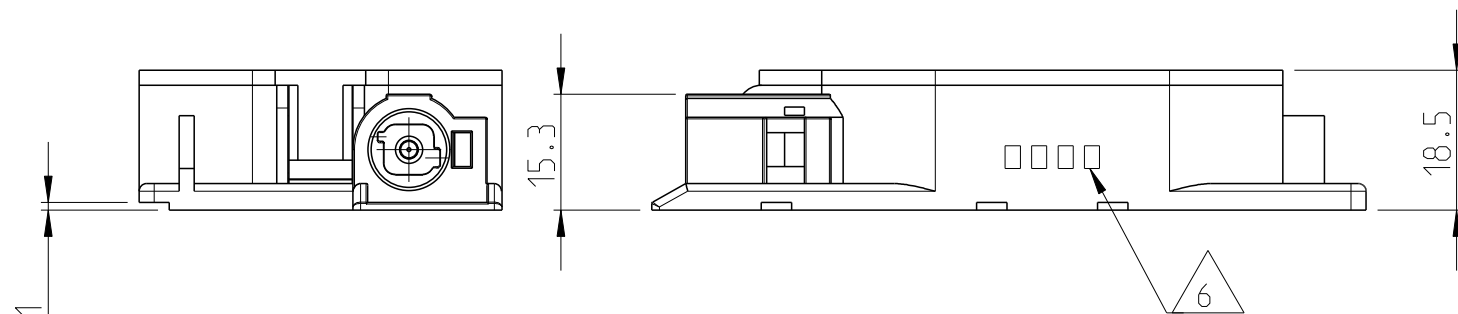
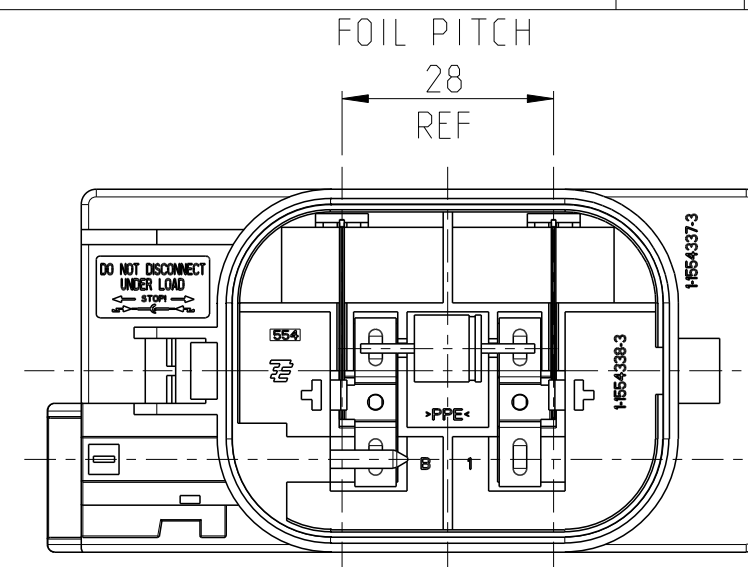
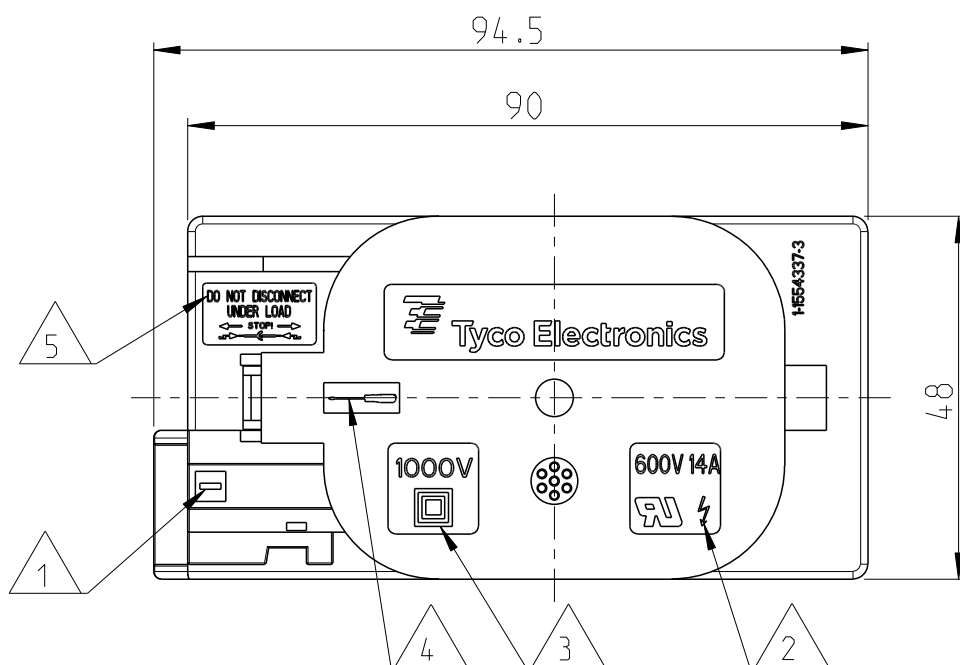
BY - TE CONNECTIVITY

ALL RIGHTS RESERVED.

REVISIONS

P	LTR	DESCRIPTION	DATE	DWN	APVD
	-	SEE SHEET 1	-	-	-

AS SHOWN 1-2134417-3



SCALE 1:2

THIS DRAWING IS A CONTROLLED DOCUMENT.

DIMENSIONS:	TOLERANCES UNLESS OTHERWISE SPECIFIED:
mm	
	0 PLC ±0.2
	1 PLC ±0
	2 PLC ±0.1
	3 PLC ±0.1
	4 PLC ±0.0001
	ANGLES ±
MATERIAL	FINISH
-	-
-	-

DWN	T. OIKAWA	25AUG2010
CHK	M. HARASAWA	25AUG2010
APVD	M. HARASAWA	25AUG2010
PRODUCT SPEC	108-78694	
APPLICATION SPEC	-	
WEIGHT	-	
Customer Drawing		



NAME		MONO PIECE JUNCTION BOX KIT ASSY		
SIZE	CAGE CODE	DRAWING NO	RESTRICTED TO	
A3	-	©-2134417	-	
SCALE		SHEET	OF	REV
1:2		4	4	B3