

1-2112890-1 ✓ ACTIVE



AMP | AMP MCP 1.5K, AMP MCP 2.8, AMP MCP Connector System

TE Internal #: 1-2112890-1

Housing for Male Terminals, Wire-to-Wire, 25 Position, .157 in [4 mm] Centerline, Black, Signal, Panel Mount, -40 – 248 °F [-40 – 120 ° C], Hybrid

[View on TE.com >](#)

Connectors > Automotive Connectors > Automotive Housings > AMP MCP Unsealed Connector Housings



Connector & Housing Type: **Housing for Male Terminals**

Mating Tab Width: **1.5 mm, 2.8 mm [ .059 in, .11 in ]**

Connector System: **Wire-to-Wire**

Number of Positions: **25**

Centerline (Pitch): **4 mm [ .157 in ]**

[All AMP MCP Unsealed Connector Housings \(187\)](#)

## Features

### Product Type Features

Connector Shape	Rectangular
Connector & Housing Type	Housing for Male Terminals
Connector System	Wire-to-Wire
Sealable	No
Hybrid Connector	Yes
Primary Locking Feature	On the Terminal

### Configuration Features

Number of Positions	25
Number of Rows	3

### Body Features

Cable Exit Angle	180°
Primary Product Color	Black



Connector & Keying Code	A
-------------------------	---

### Contact Features

Contact Size	1.6mm, 2.8mm
Contact Type	Tab
Mating Tab Width	1.5 mm, 2.8 mm [.059 in][.11 in]

### Mechanical Attachment

Terminal Position Assurance	Yes
Strain Relief	Without
Mating Alignment Type	Keyed
Mating Alignment	With
Connector Mounting Type	Panel Mount

### Housing Features

Housing Material	PBT GF
Centerline (Pitch)	4 mm [.157 in]

### Dimensions

Connector Height	32 mm [1.26 in]
Product Length	44.6 mm [1.75 in]
Row-to-Row Spacing	4.2 mm [.165 in]

### Usage Conditions

Operating Temperature (Max)	70 °C, 75 °C, 80 °C, 85 °C, 90 °C, 100 °C, 105 °C, 110 °C, 120 °C [158 °F][167 °F][176 °F][185 °F][194 °F][212 °F][221 °F][230 °F][248 °F]
Operating Temperature Range	-40 – 120 °C [-40 – 248 °F]

### Operation/Application

Circuit Application	Signal
---------------------	--------

### Industry Standards

UL Flammability Rating	UL 94HB
------------------------	---------

### Packaging Features

Packaging Quantity	297
Packaging Method	Box

### Other

Serviceable	No
-------------	----



Connector Position Assurance Capable No

### Product Compliance

[For compliance documentation, visit the product page on TE.com>](#)

EU RoHS Directive 2011/65/EU	Compliant
EU ELV Directive 2000/53/EC	Compliant
China RoHS 2 Directive MIIT Order No 32, 2016	No Restricted Materials Above Threshold
EU REACH Regulation (EC) No. 1907/2006	Current ECHA Candidate List: JUNE 2022 (224) Candidate List Declared Against: JUL 2021 (219) Does not contain REACH SVHC
Halogen Content	Not Yet Reviewed for halogen content
Solder Process Capability	Not reviewed for solder process capability

#### Product Compliance Disclaimer

This information is provided based on reasonable inquiry of our suppliers and represents our current actual knowledge based on the information they provided. This information is subject to change. The part numbers that TE has identified as EU RoHS compliant have a maximum concentration of 0.1% by weight in homogenous materials for lead, hexavalent chromium, mercury, PBB, PBDE, DBP, BBP, DEHP, DIBP, and 0.01% for cadmium, or qualify for an exemption to these limits as defined in the Annexes of Directive 2011/65/EU (RoHS2). Finished electrical and electronic equipment products will be CE marked as required by Directive 2011/65/EU. Components may not be CE marked. Additionally, the part numbers that TE has identified as EU ELV compliant have a maximum concentration of 0.1% by weight in homogenous materials for lead, hexavalent chromium, and mercury, and 0.01% for cadmium, or qualify for an exemption to these limits as defined in the Annexes of Directive 2000/53/EC (ELV). Regarding the REACH Regulation, the information TE provides on SVHC in articles for this part number is based on the latest European Chemicals Agency (ECHA) 'Guidance on requirements for substances in articles' posted at this URL: <https://echa.europa.eu/guidance-documents/guidance-on-reach>

### Compatible Parts



TE Part # 1-1718484-1  
CARRIER FOR RECEPTACLE INSERTS



TE Part # CAT-T4827-T273  
TIMER, RECEPTACLE AND TAB



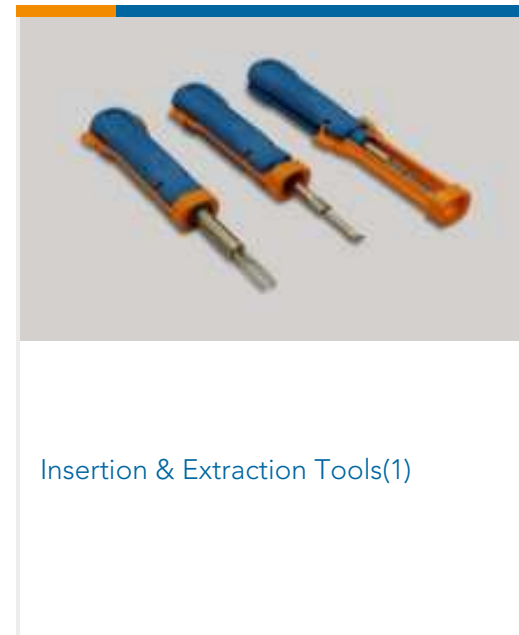
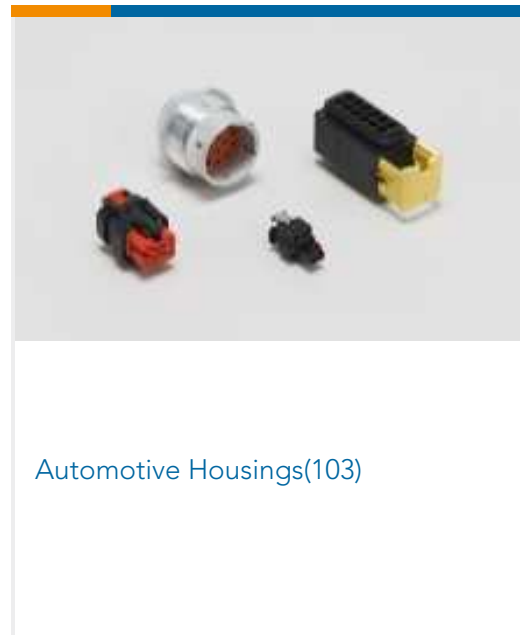
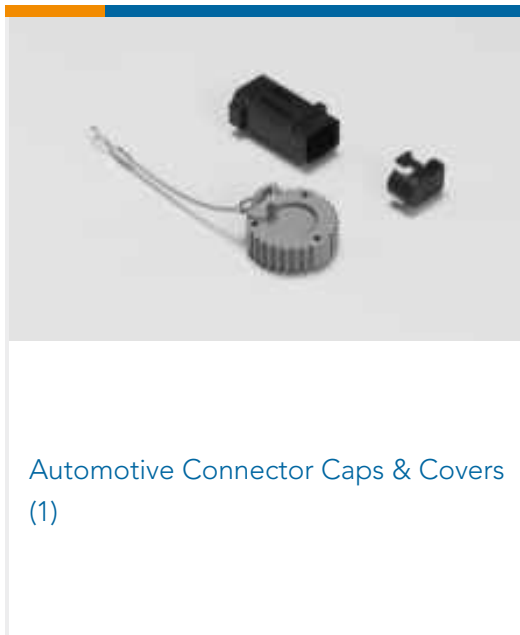
TE Part # 1241374-2  
AMP MCP 1.5K, CONTACT



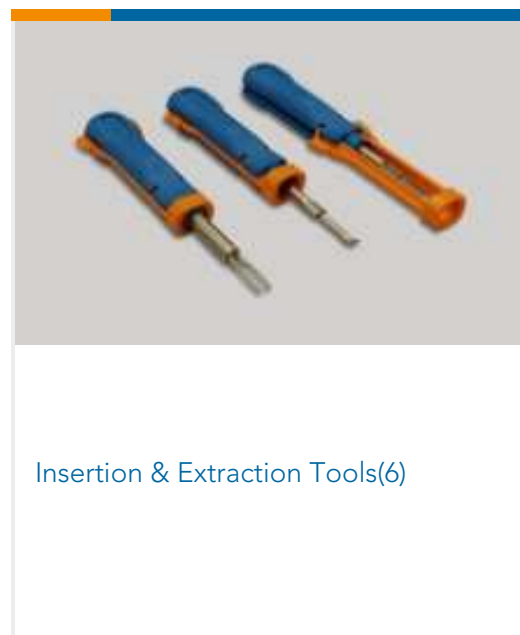
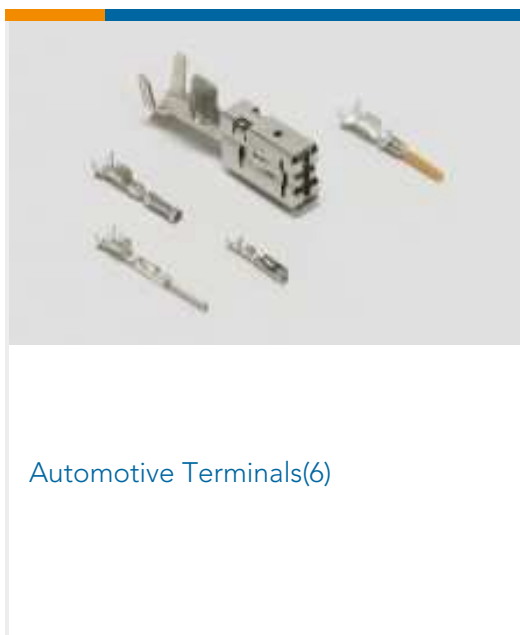
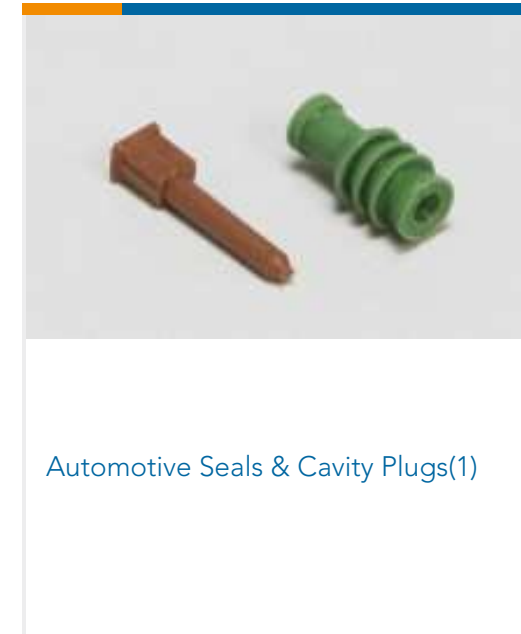
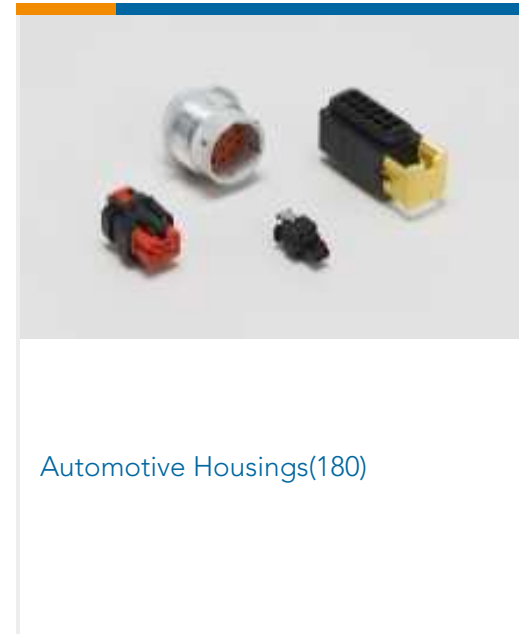
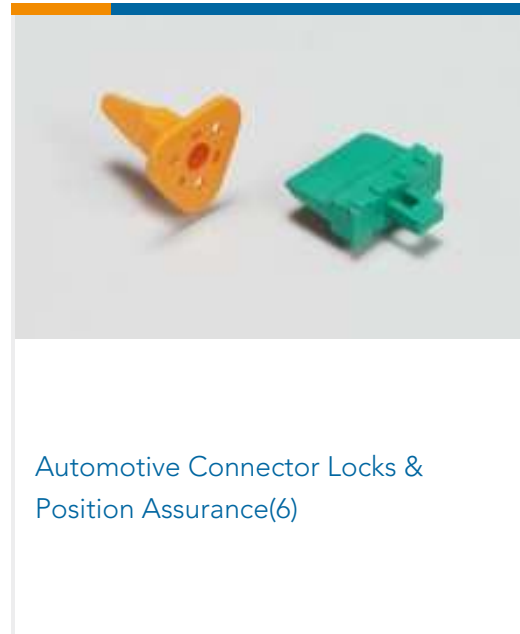
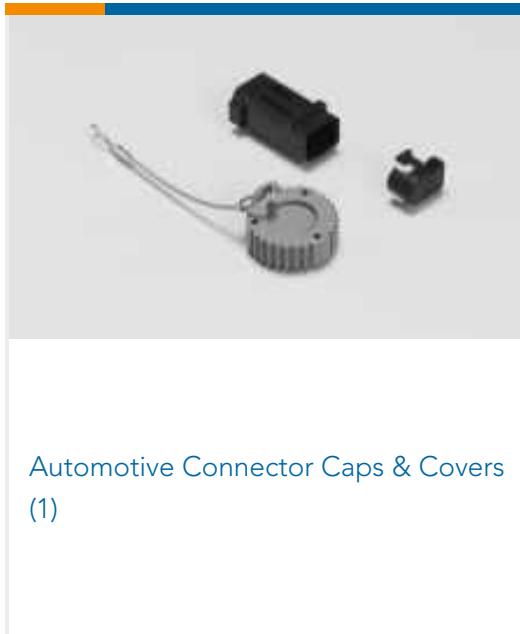
TE Part # 2-962842-2  
TAB 2.8x0.8 CONTACT CF SRC Ag



### Also in the Series | AMP MCP 1.5K



### Also in the Series | AMP MCP 2.8



### Also in the Series | AMP MCP Connector System



Automotive Connector Caps & Covers (24)



Automotive Connector Locks & Position Assurance (7)



Automotive Housings (352)



Automotive Seals & Cavity Plugs (6)



Automotive Terminals (125)



Insertion & Extraction Tools (13)



Other Automotive Connector Accessories (2)

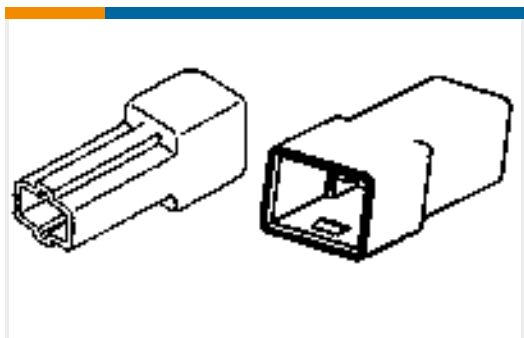


PCB Headers & Receptacles (29)

## Customers Also Bought



TE Part #1587724-2  
OUTER FERRULE, SIZE B, HVA280



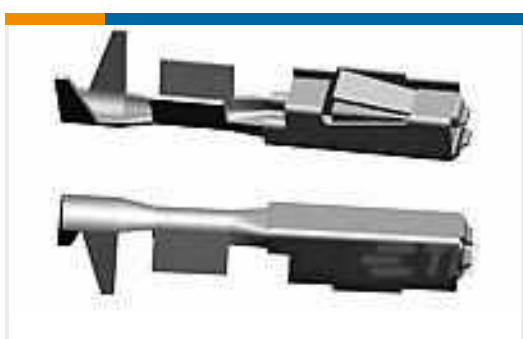
TE Part #180916-5  
FF 250 TAB HSG 1P NYLON BLACK



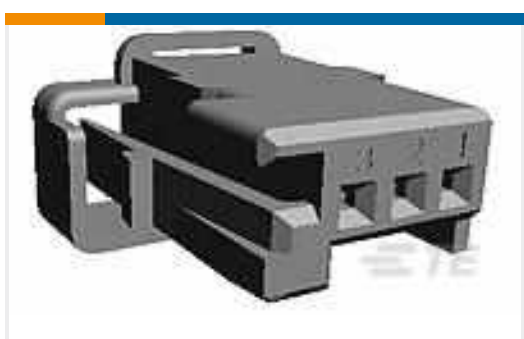
TE Part #929092-1  
MCP2,8 GEH ASSY2X8P



TE Part #1-2236343-1  
3POS, MCON 1.2 LL REC SEALED



TE Part #5-968221-6  
MQS0,63 Ag rec CB unseal. 0,5-0,75



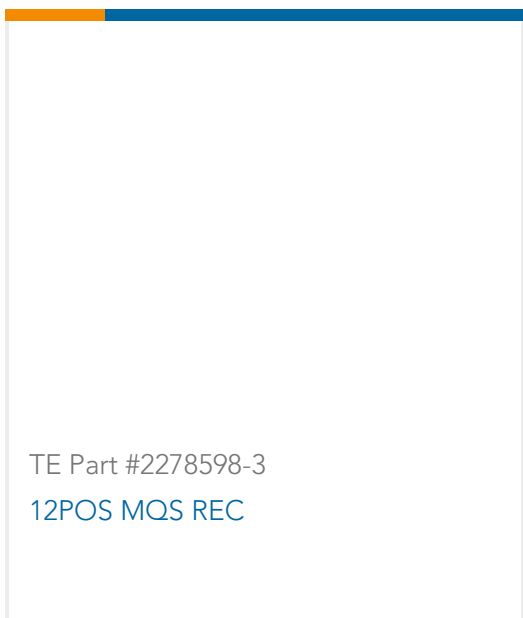
TE Part #953697-4  
3POS MQS REC



TE Part #185403-2  
MODULAR RELAY HOLDER



TE Part #1-185879-2  
26W MQS COVER ASSY BLUE



TE Part #2278598-3  
12POS MQS REC

## Documents



## Product Drawings

[25POS, MIXED,TAB HSG,ASSY](#)

English

---

## CAD Files

[3D PDF](#)

3D

Customer View Model

[ENG\\_CVM\\_CVM\\_1-2112890-1\\_C.2d\\_dxf.zip](#)

English

Customer View Model

[ENG\\_CVM\\_CVM\\_1-2112890-1\\_C.3d\\_igs.zip](#)

English

Customer View Model

[ENG\\_CVM\\_CVM\\_1-2112890-1\\_C.3d\\_stp.zip](#)

English

By downloading the CAD file I accept and agree to the [Terms and Conditions](#) of use.

---

## Product Specifications

[Application Specification](#)

German