



TE Internal #: 1-2016663-0

3.5mm Series RF CA Cable Assembly, 3.28 ft [1 m], Black Cable, 50 Ω, FEP, 21 AWG, .236 in [6 mm] Diameter, 3.5mm Plug, 3.5mm Plug

[View on TE.com >](#)

Cable Assemblies > RF Cable Assemblies



Cable Assembly Type: **3.5mm Series RF CA**

Cable Assembly (End A): **3.5mm Plug**

Cable Assembly (End B): **3.5mm Plug**

Jacket Material: **FEP**

Cable Assembly Length: **1 m [ 3.28 ft ]**

## Features

### Product Type Features

Cable Assembly Type	3.5mm Series RF CA
Cable Assembly (End A)	3.5mm Plug
Cable Assembly (End B)	3.5mm Plug

### Electrical Characteristics

Impedance	50 Ω
-----------	------

### Body Features

Strain Relief Type	HST
Jacket Material	FEP
Cable Color	Black

### Dimensions

Wire Size	21 AWG
Outside Cable Diameter	6 mm[.236 in]

### Usage Conditions

Operating Temperature Range	-40 – 85 °C[-40 – 85 °F]
-----------------------------	--------------------------

### Operation/Application



Shielded	Yes
----------	-----

**Other**

Cable Assembly Length	1 m[3.28 ft]
-----------------------	--------------

**Product Compliance**

[For compliance documentation, visit the product page on TE.com>](#)

EU RoHS Directive 2011/65/EU	Compliant with Exemptions
EU ELV Directive 2000/53/EC	Compliant with Exemptions
China RoHS 2 Directive MIIT Order No 32, 2016	Restricted Materials Above Threshold
EU REACH Regulation (EC) No. 1907/2006	Current ECHA Candidate List: JUNE 2024 (241) Candidate List Declared Against: JAN 2024 (240) Does not contain REACH SVHC
Halogen Content	Low Bromine/Chlorine - Br and Cl < 900 ppm per homogenous material. Also BFR /CFR/PVC Free
Solder Process Capability	Not reviewed for solder process capability

**Product Compliance Disclaimer**

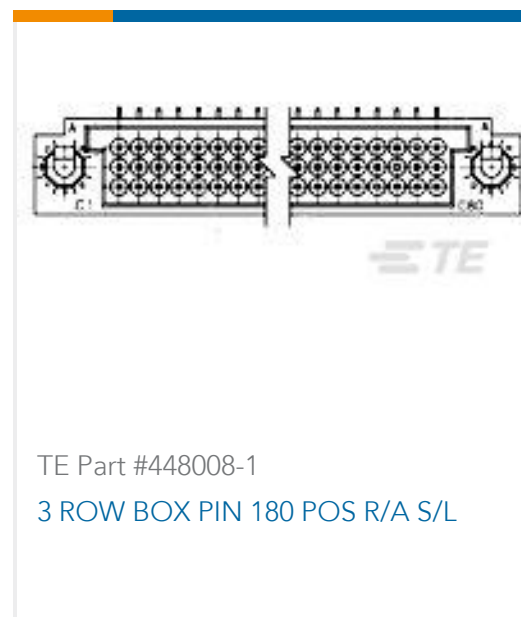
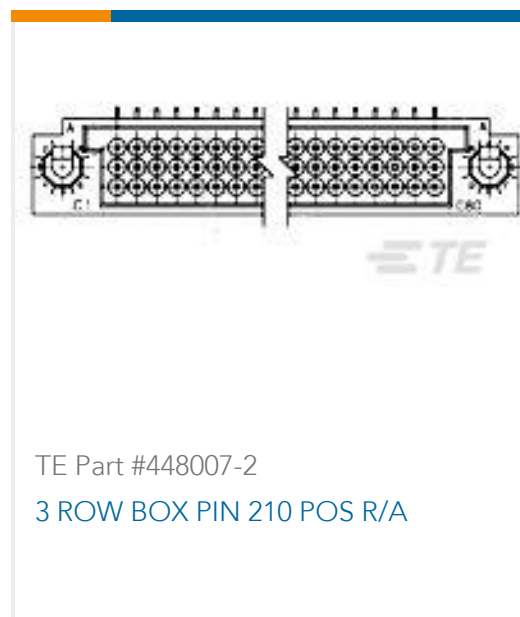
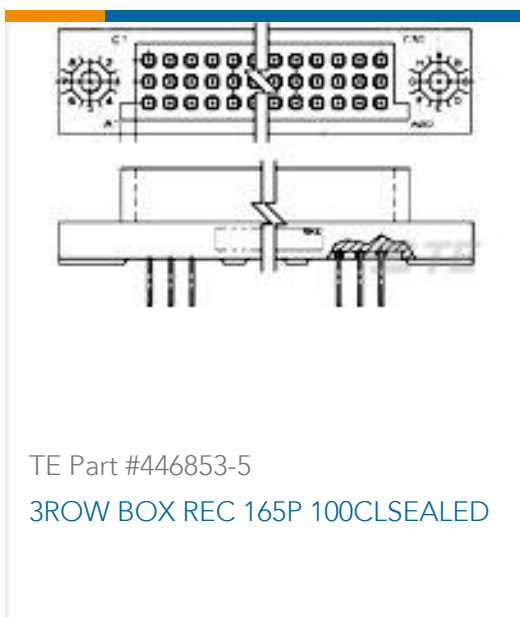
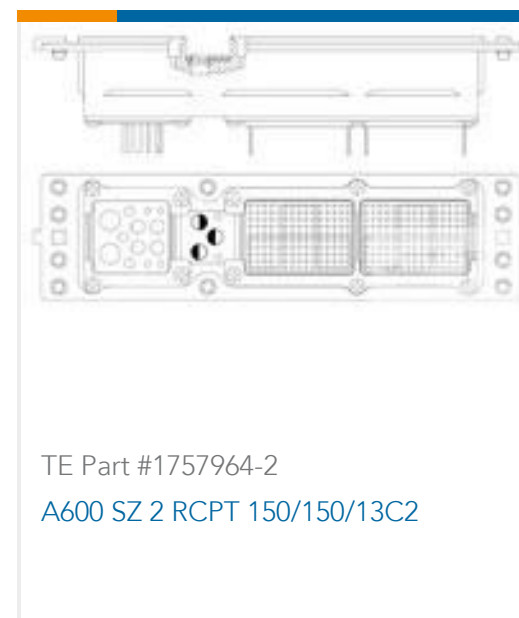
This information is provided based on reasonable inquiry of our suppliers and represents our current actual knowledge based on the information they provided. This information is subject to change. The part numbers that TE has identified as EU RoHS compliant have a maximum concentration of 0.1% by weight in homogenous materials for lead, hexavalent chromium, mercury, PBB, PBDE, DBP, BBP, DEHP, DIBP, and 0.01% for cadmium, or qualify for an exemption to these limits as defined in the Annexes of Directive 2011/65/EU (RoHS2). Finished electrical and electronic equipment products will be CE marked as required by Directive 2011/65/EU. Components may not be CE marked. Additionally, the part numbers that TE has identified as EU ELV compliant have a maximum concentration of 0.1% by weight in homogenous materials for lead, hexavalent chromium, and mercury, and 0.01% for cadmium, or qualify for an exemption to these limits as defined in the Annexes of Directive 2000/53/EC (ELV). Regarding the REACH Regulation, the information TE provides on SVHC in articles for this part number is based on the latest European Chemicals Agency (ECHA) 'Guidance on requirements for substances in articles' posted at this URL: <https://echa.europa.eu/guidance-documents/guidance-on-reach>

**Compatible Parts**

 <p>TE Part # 2081570-1 2.92MM JACK 2 HOLE FLANGE RECEPTACLE</p>	 <p>TE Part # 2081570-2 2.92MM JACK 2 HOLE FLANGE RECEPTACLE</p>	 <p>TE Part # 2081934-1 2.92MM JACK PCB EDGE LAUNCH</p>	 <p>TE Part # 1057341-1 3080 2240 00</p>
---	---	--	---



### Customers Also Bought



### Documents



## Product Drawings

[3.5 M DOUBLE,26.5G,1.0M,WITH ARMOR,BRAID](#)

English

---

## CAD Files

[3D PDF](#)

3D

Customer View Model

[ENG\\_CVM\\_CVM\\_1-2016663-0\\_A.2d\\_dxf.zip](#)

English

Customer View Model

[ENG\\_CVM\\_CVM\\_1-2016663-0\\_A.3d\\_igs.zip](#)

English

Customer View Model

[ENG\\_CVM\\_CVM\\_1-2016663-0\\_A.3d\\_stp.zip](#)

English

By downloading the CAD file I accept and agree to the [Terms and Conditions](#) of use.

---

## Product Specifications

[Product Specification](#)

English