

1-2016662-0 ✓ ACTIVE



TE Internal #: 1-2016662-0

2.92mm Series RF CA Cable Assembly, 3.28 ft [1 m], Black Cable, 50 Ω, FEP, 21 AWG, .236 in [6 mm] Diameter, 2.92mm Plug, 2.92mm Plug

[View on TE.com >](#)

Cable Assemblies > RF Cable Assemblies



Cable Assembly Type: **2.92mm Series RF CA**

Cable Assembly (End A): **2.92mm Plug**

Cable Assembly (End B): **2.92mm Plug**

Jacket Material: **FEP**

Cable Assembly Length: **1 m [3.28 ft]**

Features

Product Type Features

Cable Assembly Type	2.92mm Series RF CA
Cable Assembly (End A)	2.92mm Plug
Cable Assembly (End B)	2.92mm Plug

Electrical Characteristics

Impedance	50 Ω
-----------	------

Body Features

Strain Relief Type	HST
Jacket Material	FEP
Cable Color	Black

Dimensions

Wire Size	21 AWG
Outside Cable Diameter	6 mm [.236 in]

Usage Conditions

Operating Temperature Range	-40 – 85 °C [-40 – 85 °F]
-----------------------------	---------------------------



Operation/Application

Shielded	Yes
----------	-----

Other

Cable Assembly Length	1 m[3.28 ft]
-----------------------	--------------

Product Compliance

[For compliance documentation, visit the product page on TE.com>](#)

EU RoHS Directive 2011/65/EU	Compliant with Exemptions
------------------------------	---------------------------

EU ELV Directive 2000/53/EC	Not Yet Reviewed
-----------------------------	------------------

China RoHS 2 Directive MIIT Order No 32, 2016	Restricted Materials Above Threshold
---	--------------------------------------

EU REACH Regulation (EC) No. 1907/2006	<p>Current ECHA Candidate List: JUNE 2024 (241) Candidate List Declared Against: JAN 2024 (240) SVHC > Threshold: Pb (4.35% in Component Part)</p> <p>Article Safe Usage Statements: Do not eat, drink or smoke when using this product. Wash thoroughly after handling. Recycle if possible and dispose of the article by following all applicable governmental regulations relevant to your geographic location.</p>
--	--

Halogen Content	Low Bromine/Chlorine - Br and Cl < 900 ppm per homogenous material. Also BFR /CFR/PVC Free
-----------------	--

Solder Process Capability	Not reviewed for solder process capability
---------------------------	--

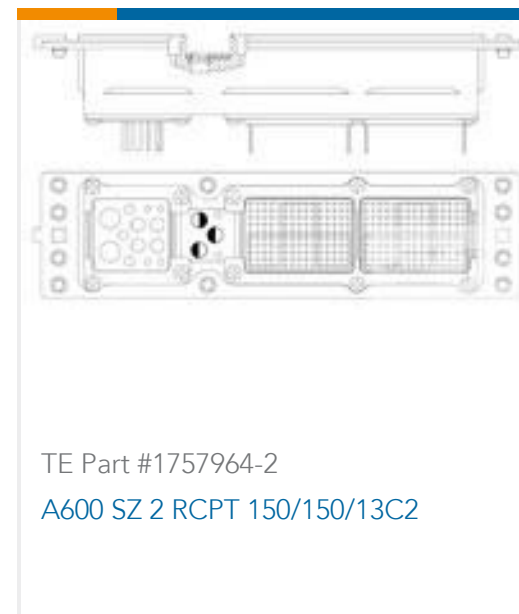
Product Compliance Disclaimer

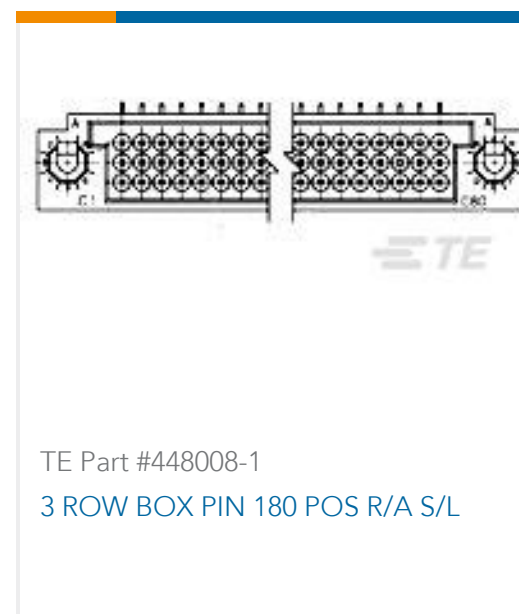
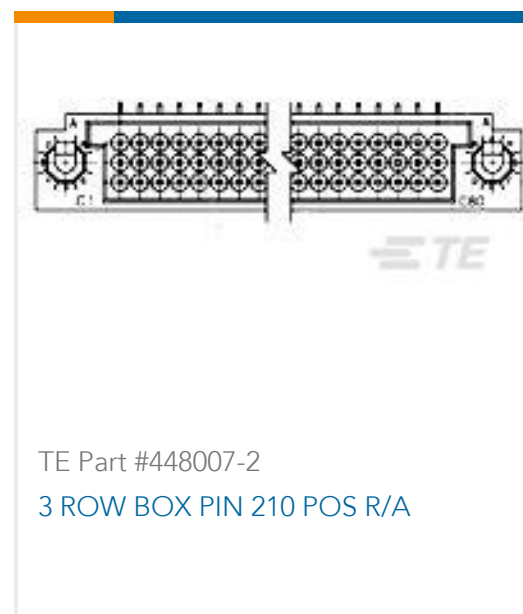
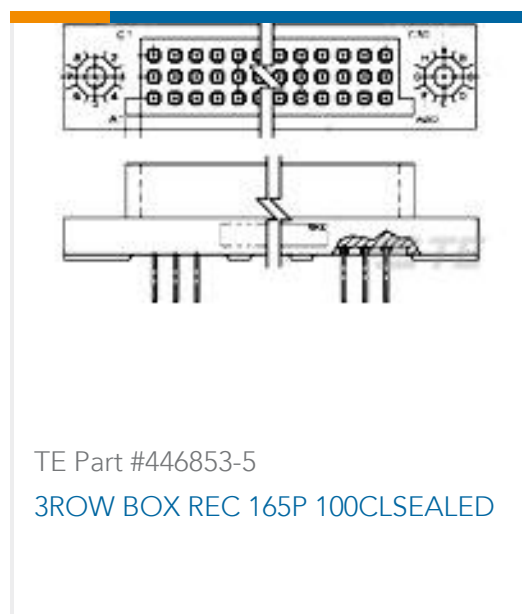
This information is provided based on reasonable inquiry of our suppliers and represents our current actual knowledge based on the information they provided. This information is subject to change. The part numbers that TE has identified as EU RoHS compliant have a maximum concentration of 0.1% by weight in homogenous materials for lead, hexavalent chromium, mercury, PBB, PBDE, DBP, BBP, DEHP, DIBP, and 0.01% for cadmium, or qualify for an exemption to these limits as defined in the Annexes of Directive 2011/65/EU (RoHS2). Finished electrical and electronic equipment products will be CE marked as required by Directive 2011/65/EU. Components may not be CE marked. Additionally, the part numbers that TE has identified as EU ELV compliant have a maximum concentration of 0.1% by weight in homogenous materials for lead, hexavalent chromium, and mercury, and 0.01% for cadmium, or qualify for an exemption to these limits as defined in the Annexes of Directive 2000/53/EC (ELV). Regarding the REACH Regulation, the information TE provides on SVHC in articles for this part number is based on the latest European Chemicals Agency (ECHA) 'Guidance on requirements for substances in articles' posted at this URL: <https://echa.europa.eu/guidance-documents/guidance-on-reach>

Compatible Parts



Customers Also Bought





Documents

Product Drawings

2.92,M,BOTH END,WITH ARMOR CABLE,40GHZ

English

CAD Files

3D PDF

3D

Customer View Model

[ENG_CVM_CVM_1-2016662-0_A.2d_dxf.zip](#)

English

Customer View Model

[ENG_CVM_CVM_1-2016662-0_A.3d_igs.zip](#)

English

Customer View Model

[ENG_CVM_CVM_1-2016662-0_A.3d_stp.zip](#)

English

By downloading the CAD file I accept and agree to the [Terms and Conditions](#) of use.

Product Specifications

Product Specification

English