

1-2016661-0 ✓ ACTIVE



TE Internal #: 1-2016661-0

2.4mm Series RF CA Cable Assembly, 3.28 ft [1 m], Black Cable, 0 – 50 GHz Operating Frequency, 50 Ω , TPE, 21 AWG, .142 in [3.6 mm] Diameter

[View on TE.com >](#)

Cable Assemblies > RF Cable Assemblies



Cable Assembly Type: **2.4mm Series RF CA**

Cable Assembly (End A): **2.4mm Plug**

Cable Assembly (End B): **2.4mm Plug**

Jacket Material: **TPE**

Cable Assembly Length: **1 m [3.28 ft]**

Features

Product Type Features

Cable Assembly Type	2.4mm Series RF CA
Cable Assembly (End A)	2.4mm Plug
Cable Assembly (End B)	2.4mm Plug

Configuration Features

Number of Connectorized Ends	2
------------------------------	---

Electrical Characteristics

Insulation Resistance	500 M Ω
Operating Voltage	60 V
Impedance	50 Ω

Signal Characteristics

Velocity of Propagation	80 %
-------------------------	------

Body Features

Conductor Plating Material	Gold
Strain Relief Type	HST



Shield Plating Material	Tin
Shield Material	Copper Wire
Body Plating Material	Stainless Steel
Conductor Material	Beryllium Copper
Jacket Material	TPE
Cable Color	Black

Contact Features

Center Contact Plating	Gold
Contact Base Material	Beryllium Copper

Dimensions

Wire Size	21 AWG
Outside Cable Diameter	3.6 mm [.142 in]

Usage Conditions

Operating Temperature Range	-45 – 85 °C [-45 – 105 °F]
-----------------------------	----------------------------

Operation/Application

Shielded	Yes
Operating Frequency	0 – 50 GHz

Other

Cable Assembly Length	1 m [3.28 ft]
-----------------------	---------------

Product Compliance

[For compliance documentation, visit the product page on TE.com>](#)

EU RoHS Directive 2011/65/EU	Compliant with Exemptions
EU ELV Directive 2000/53/EC	Not Yet Reviewed
China RoHS 2 Directive MIIT Order No 32, 2016	Restricted Materials Above Threshold
EU REACH Regulation (EC) No. 1907/2006	Current ECHA Candidate List: JUNE 2024 (241) Candidate List Declared Against: JAN 2024 (240) SVHC > Threshold: Pb (4.35% in Component Part) Article Safe Usage Statements: Do not eat, drink or smoke when using this product. Wash thoroughly after handling. Recycle if possible and dispose of the article by following all applicable governmental regulations relevant to your geographic location.
Halogen Content	Low Bromine/Chlorine - Br and Cl < 900 ppm per homogenous material. Also BFR

/CFR/PVC Free

Solder Process Capability

Not reviewed for solder process capability

Product Compliance Disclaimer

This information is provided based on reasonable inquiry of our suppliers and represents our current actual knowledge based on the information they provided. This information is subject to change. The part numbers that TE has identified as EU RoHS compliant have a maximum concentration of 0.1% by weight in homogenous materials for lead, hexavalent chromium, mercury, PBB, PBDE, DBP, BBP, DEHP, DIBP, and 0.01% for cadmium, or qualify for an exemption to these limits as defined in the Annexes of Directive 2011/65/EU (RoHS2). Finished electrical and electronic equipment products will be CE marked as required by Directive 2011/65/EU. Components may not be CE marked. Additionally, the part numbers that TE has identified as EU ELV compliant have a maximum concentration of 0.1% by weight in homogenous materials for lead, hexavalent chromium, and mercury, and 0.01% for cadmium, or qualify for an exemption to these limits as defined in the Annexes of Directive 2000/53/EC (ELV). Regarding the REACH Regulation, the information TE provides on SVHC in articles for this part number is based on the latest European Chemicals Agency (ECHA) 'Guidance on requirements for substances in articles' posted at this URL: <https://echa.europa.eu/guidance-documents/guidance-on-reach>

Compatible Parts



TE Part # 2081935-1
 2.4MM JACK 4-HOLE FLANGE RECEPTACLE



TE Part # 2081936-1
 2.4MM JACK 2-HOLE FLANGE SOLDERLESS



TE Part # 2081937-1
 1.85MM JACK 2-HOLE FLANGE SOLDERLESS



TE Part # 2081550-1
 ADAPTOR 1.85MM JACK TO 1.85MM JACK



TE Part # 2081551-1
 ADAPTOR 2.4MM PLUG TO 1.85MM PLUG



TE Part # 2081552-1
 ADAPTOR 2.4MM PLUG TO 1.85MM JACK



TE Part # 2081598-1
 2.4MM JACK 2-HOLE FLANGE RECEPTACLE



TE Part # 2081593-1
 ADAPTER 2.4MM FEMALE TO 2.4MM FEMALE



TE Part # 2441542-1
 2.4MM F TO 2.4MM M SLIDE ON ADAP BMRF



TE Part # 2441872-1
 2.4MM F ST CONNECTOR W END LAUNCH RFSC



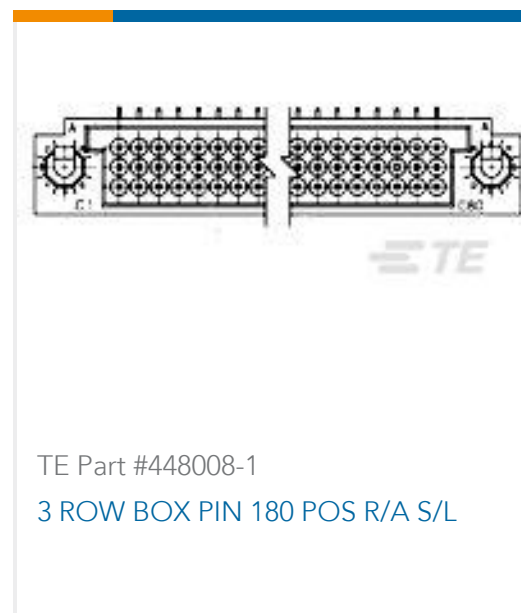
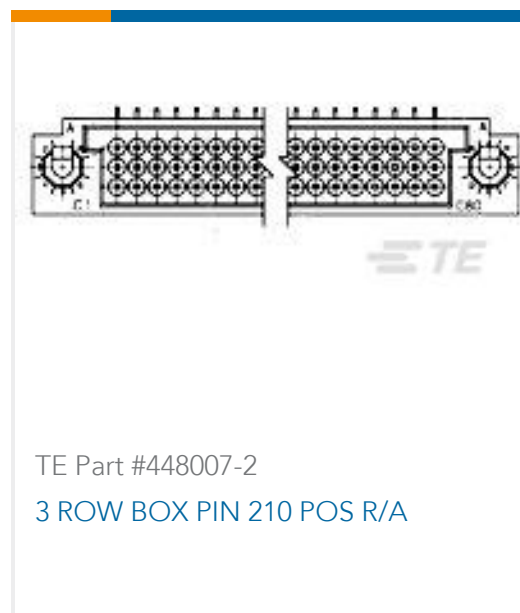
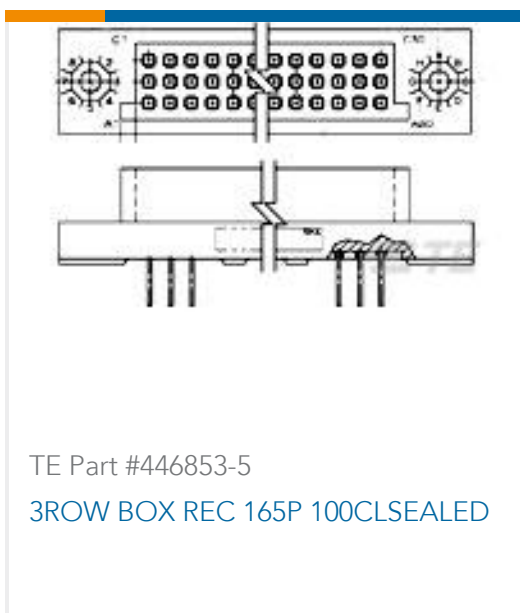
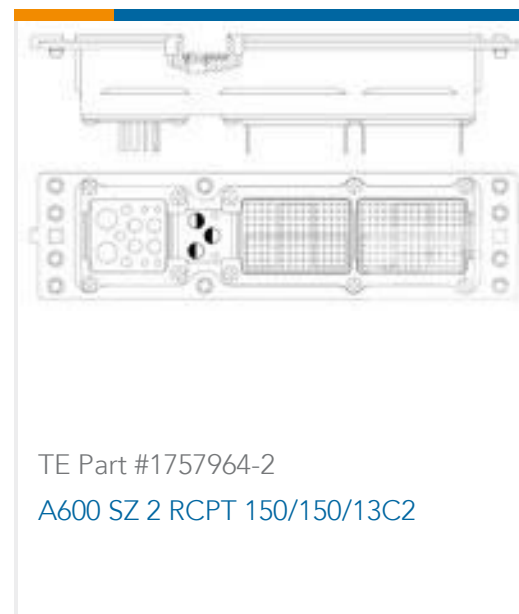
TE Part # CON24001-1
 2.4 mm Jack 50 Ohm PCB Surface Mount



TE Part # CON24001-VIA
 2.4 mm Jack 50 Ohm PCB Surface Mount



Customers Also Bought



Documents

Product Drawings

2.40 MALE-MALE,50G,L1000,WITH ARMOR

English

CAD Files

3D PDF

3D

Customer View Model

ENG_CVM_CVM_1-2016661-0_A.2d_dxf.zip

1-2016661-0

2.4mm Series RF CA Cable Assembly, 3.28 ft [1 m], Black Cable, 0 – 50 GHz
Operating Frequency, 50 Ω , TPE, 21 AWG, .142 in [3.6 mm] Diameter



English

Customer View Model

[ENG_CVM_CVM_1-2016661-0_A.3d_igs.zip](#)

English

Customer View Model

[ENG_CVM_CVM_1-2016661-0_A.3d_stp.zip](#)

English

By downloading the CAD file I accept and agree to the [Terms and Conditions](#) of use.

Product Specifications

[Product Specification](#)

English