

1-2016659-0 ✓ ACTIVE



TE Internal #: 1-2016659-0

1.85mm Series RF CA Cable Assembly, 3.28 ft [1 m], Black Cable, 50 Ω, FEP, 24 AWG, .192 in [4.9 mm] Diameter, 1.85mm Jack, 1.85mm Jack

[View on TE.com >](#)

Cable Assemblies > RF Cable Assemblies



Cable Assembly Type: **1.85mm Series RF CA**

Cable Assembly (End A): **1.85mm Jack**

Cable Assembly (End B): **1.85mm Jack**

Jacket Material: **FEP**

Cable Assembly Length: **1 m [3.28 ft]**

Features

Product Type Features

| | |
|------------------------|---------------------|
| Cable Assembly Type | 1.85mm Series RF CA |
| Cable Assembly (End A) | 1.85mm Jack |
| Cable Assembly (End B) | 1.85mm Jack |

Electrical Characteristics

| | |
|-----------|------|
| Impedance | 50 Ω |
|-----------|------|

Body Features

| | |
|--------------------|-------|
| Strain Relief Type | HST |
| Jacket Material | FEP |
| Cable Color | Black |

Dimensions

| | |
|------------------------|-----------------|
| Wire Size | 24 AWG |
| Outside Cable Diameter | 4.9 mm[.192 in] |

Usage Conditions

| | |
|-----------------------------|--------------------------|
| Operating Temperature Range | -40 – 85 °C[-40 – 85 °F] |
|-----------------------------|--------------------------|



Operation/Application

| | |
|----------|-----|
| Shielded | Yes |
|----------|-----|

Other

| | |
|-----------------------|--------------|
| Cable Assembly Length | 1 m[3.28 ft] |
|-----------------------|--------------|

Product Compliance

[For compliance documentation, visit the product page on TE.com>](#)

| | |
|------------------------------|---------------------------|
| EU RoHS Directive 2011/65/EU | Compliant with Exemptions |
|------------------------------|---------------------------|

| | |
|-----------------------------|------------------|
| EU ELV Directive 2000/53/EC | Not Yet Reviewed |
|-----------------------------|------------------|

| | |
|---|--------------------------------------|
| China RoHS 2 Directive MIIT Order No 32, 2016 | Restricted Materials Above Threshold |
|---|--------------------------------------|

| | |
|--|--|
| EU REACH Regulation (EC) No. 1907/2006 | <p>Current ECHA Candidate List: JUNE 2024 (241) Candidate List Declared Against: JAN 2024 (240) SVHC > Threshold: Pb (4.35% in Component Part)</p> <p>Article Safe Usage Statements: Do not eat, drink or smoke when using this product. Wash thoroughly after handling. Recycle if possible and dispose of the article by following all applicable governmental regulations relevant to your geographic location.</p> |
|--|--|

| | |
|-----------------|--|
| Halogen Content | Low Bromine/Chlorine - Br and Cl < 900 ppm per homogenous material. Also BFR /CFR/PVC Free |
|-----------------|--|

| | |
|---------------------------|--|
| Solder Process Capability | Not reviewed for solder process capability |
|---------------------------|--|

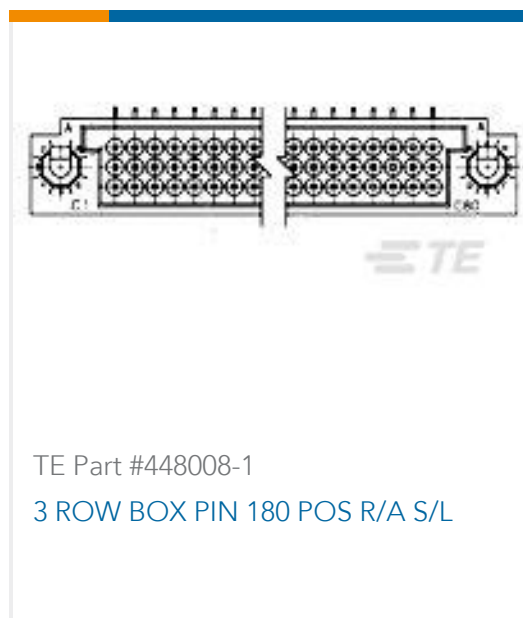
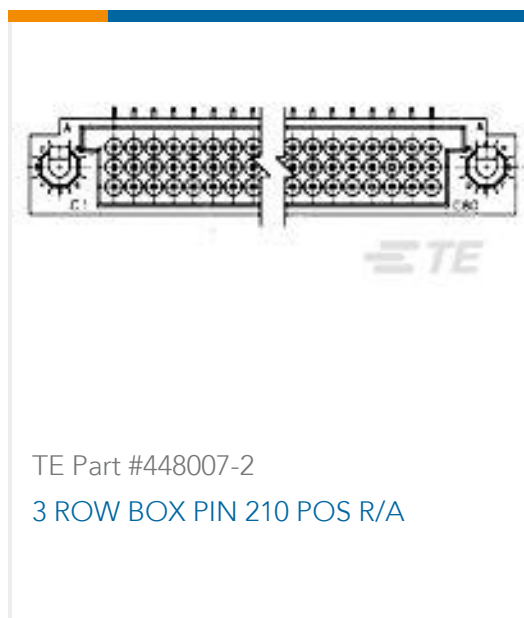
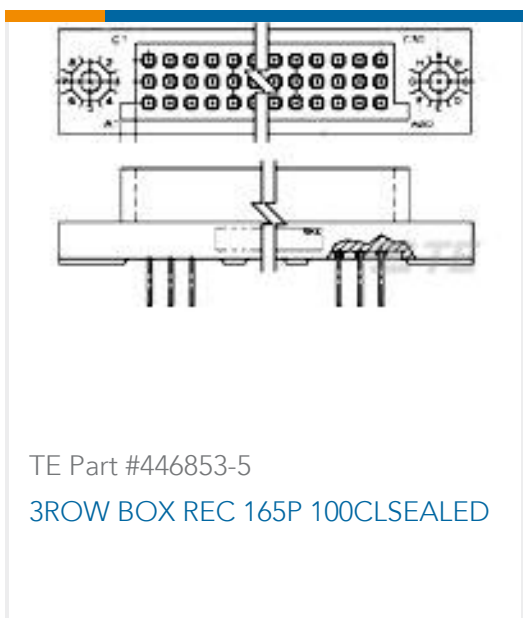
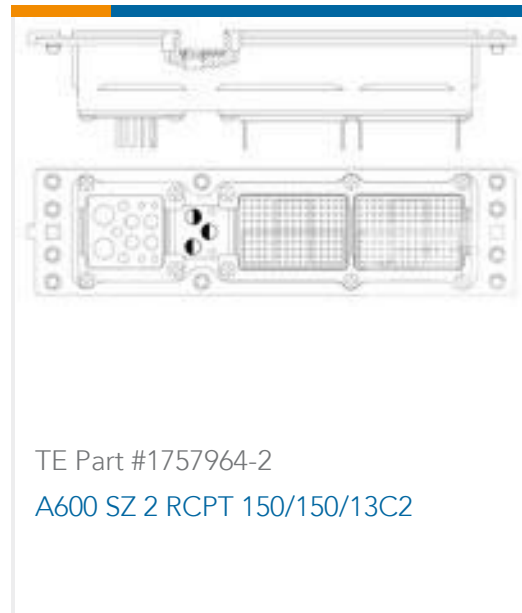
Product Compliance Disclaimer

This information is provided based on reasonable inquiry of our suppliers and represents our current actual knowledge based on the information they provided. This information is subject to change. The part numbers that TE has identified as EU RoHS compliant have a maximum concentration of 0.1% by weight in homogenous materials for lead, hexavalent chromium, mercury, PBB, PBDE, DBP, BBP, DEHP, DIBP, and 0.01% for cadmium, or qualify for an exemption to these limits as defined in the Annexes of Directive 2011/65/EU (RoHS2). Finished electrical and electronic equipment products will be CE marked as required by Directive 2011/65/EU. Components may not be CE marked. Additionally, the part numbers that TE has identified as EU ELV compliant have a maximum concentration of 0.1% by weight in homogenous materials for lead, hexavalent chromium, and mercury, and 0.01% for cadmium, or qualify for an exemption to these limits as defined in the Annexes of Directive 2000/53/EC (ELV). Regarding the REACH Regulation, the information TE provides on SVHC in articles for this part number is based on the latest European Chemicals Agency (ECHA) 'Guidance on requirements for substances in articles' posted at this URL: <https://echa.europa.eu/guidance-documents/guidance-on-reach>

Compatible Parts



Customers Also Bought



Documents

Product Drawings

1.85 F DOUBLE,67G,1.0M WITH ARMOR,BRAID

English

CAD Files

3D PDF

3D

Customer View Model

ENG_CVM_CVM_1-2016659-0_A.2d_dxf.zip

1-2016659-0

1.85mm Series RF CA Cable Assembly, 3.28 ft [1 m], Black Cable, 50 Ω , FEP, 24 AWG, .192 in [4.9 mm] Diameter, 1.85mm Jack, 1.85mm Jack



English

Customer View Model

[ENG_CVM_CVM_1-2016659-0_A.3d_igs.zip](#)

English

Customer View Model

[ENG_CVM_CVM_1-2016659-0_A.3d_stp.zip](#)

English

By downloading the CAD file I accept and agree to the [Terms and Conditions](#) of use.

Product Specifications

[Product Specification](#)

English