

1-2016655-0 ✓ ACTIVE

TE Internal #: 1-2016655-0

RF Cable Assemblies, SMA Straight Plug, FEP, Cable Assembly

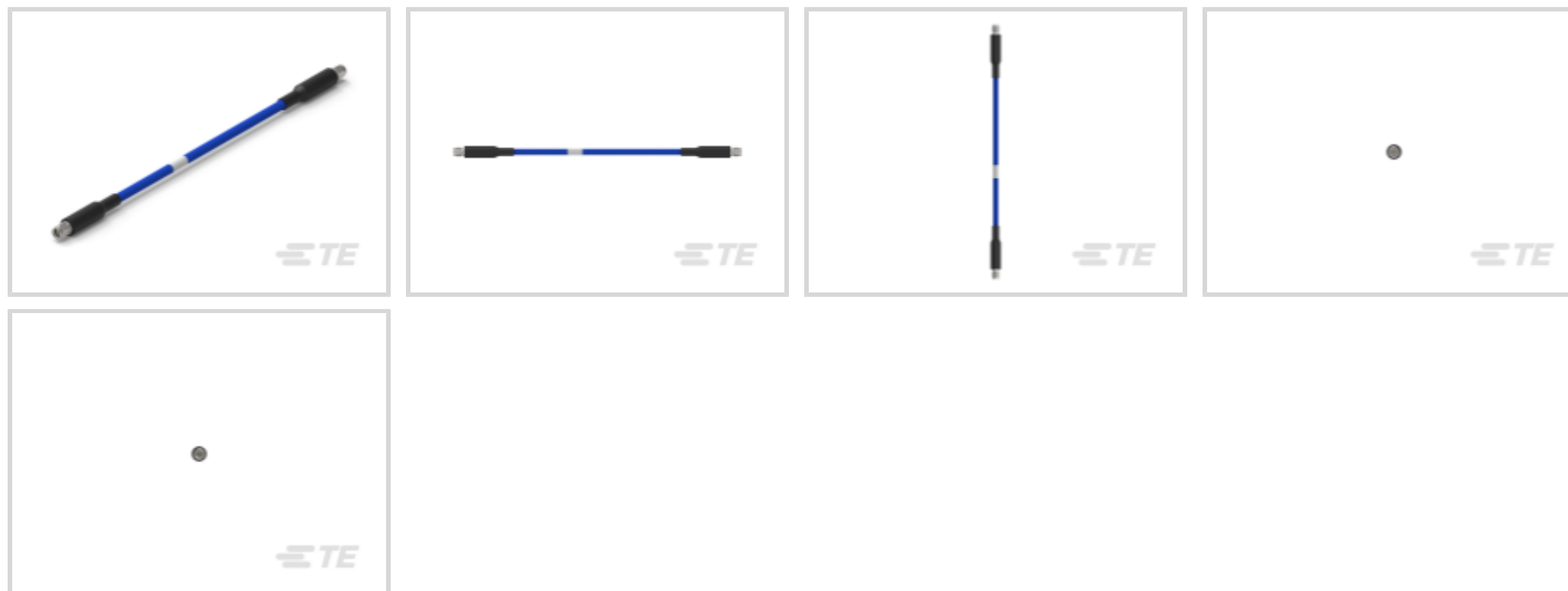
Length 3.28 ft [1 m], Blue, Operating Temperature Range -45 – 85 °

C [-45 – 105 °F]

[View on TE.com >](#)



Cable Assemblies > RF Cable Assemblies



RF Cable Assembly Connector Type (End A): **SMA Straight Plug**

Jacket Material: **FEP**

Cable Assembly Length: **1 m [3.28 ft]**

RF Cable Assembly Color: **Blue**

Operating Temperature Range: **-45 – 85 °C [-45 – 105 °F]**

Features

Product Type Features

Shrink Tubing	With
Shielded	Yes
Product Type	Cable Assembly
RF Connector Type	SMA
RF Cable Assembly Connector Type (End A)	SMA Straight Plug
RF Cable Assembly Connector Type (End B)	SMA Plug
RF Cable Assembly Type	RF Coax Cable Assembly

Configuration Features

Number of Connectorized Ends	2
------------------------------	---

Electrical Characteristics

Insulation Resistance	500 MΩ
Voltage	60 V
Connector Impedance	50 Ω
Impedance	50 Ω



Signal Characteristics

Velocity of Propagation	74%
Frequency	DC – 26.5 GHz

Body Features

Conductor Material	Beryllium Copper
Body Plating	Stainless Steel
Conductor Plating Material	Gold
Jacket Material	FEP
RF Cable Assembly Color	Blue

Contact Features

Center Contact Plating	Gold
Contact Mating Area Plating Material	Gold
Contact Base Material	Beryllium Copper

Mechanical Attachment

Coupling Nut Material	Stainless Steel
-----------------------	-----------------

Dimensions

Wire Size	24 AWG
RF Cable Assembly Overall Outside Cable Diameter	2.6 mm [.102 in]

Usage Conditions

Operating Temperature Range	-45 – 85 °C [-45 – 105 °F]
-----------------------------	----------------------------

Other

Cable Assembly Length	1 m [3.28 ft]
-----------------------	---------------

Product Compliance

[For compliance documentation, visit the product page on TE.com>](#)

EU RoHS Directive 2011/65/EU	Not Yet Reviewed
EU ELV Directive 2000/53/EC	Not Yet Reviewed
China RoHS 2 Directive MIIT Order No 32, 2016	Restricted Materials Above Threshold
EU REACH Regulation (EC) No. 1907/2006	Current ECHA Candidate List: JUN 2020 (209) Candidate List Declared Against: JAN 2020 (205) Pb (4% in Component Part) <small>Article Safe Usage Statements:</small>

Do not eat, drink or smoke when using this product. Wash thoroughly after handling. Recycle if possible and dispose of the article by following all applicable governmental regulations relevant to your geographic location.

Halogen Content

Low Halogen - Br, Cl, F, I < 900 ppm per homogenous material. Also BFR/CFR/PVC Free

Solder Process Capability

Not reviewed for solder process capability

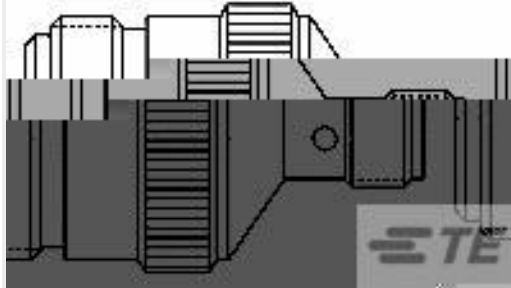
Product Compliance Disclaimer

This information is provided based on reasonable inquiry of our suppliers and represents our current actual knowledge based on the information they provided. This information is subject to change. The part numbers that TE has identified as EU RoHS compliant have a maximum concentration of 0.1% by weight in homogenous materials for lead, hexavalent chromium, mercury, PBB, PBDE, DBP, BBP, DEHP, DIBP, and 0.01% for cadmium, or qualify for an exemption to these limits as defined in the Annexes of Directive 2011/65/EU (RoHS2). Finished electrical and electronic equipment products will be CE marked as required by Directive 2011/65/EU. Components may not be CE marked. Additionally, the part numbers that TE has identified as EU ELV compliant have a maximum concentration of 0.1% by weight in homogenous materials for lead, hexavalent chromium, and mercury, and 0.01% for cadmium, or qualify for an exemption to these limits as defined in the Annexes of Directive 2000/53/EC (ELV). Regarding the REACH Regulation, the information TE provides on SVHC in articles for this part number is based on the latest European Chemicals Agency (ECHA) 'Guidance on requirements for substances in articles' posted at this URL: <https://echa.europa.eu/guidance-documents/guidance-on-reach>

Compatible Parts



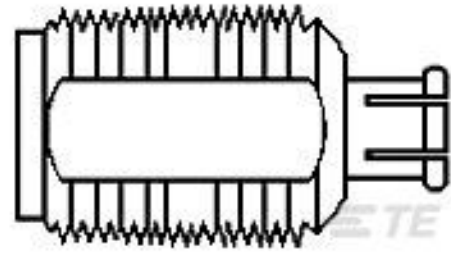
TE Model / Part # 1058800-1
3784 2240 00



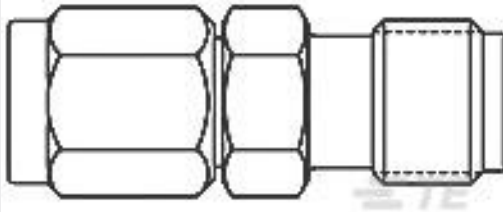
TE Model / Part # 1058651-1
3680 2240 00



TE Model / Part # 1052534-1
2052 1300 02



TE Model / Part # 1055694-1
2380 2240 00



TE Model / Part # 1060272-1
5082 2240 00



TE Model / Part # 1057341-1
3080 2240 00



TE Model / Part # 1058653-1
3680 2242 00



TE Model / Part # 1059724-1
4583 2240 02



TE Model / Part # 2081570-2
2.92MM JACK 2 HOLE FLANGE RECEPTACLE



TE Model / Part # 5448103-2
BULKHEAD JACK, SMA, HEX CRIMP



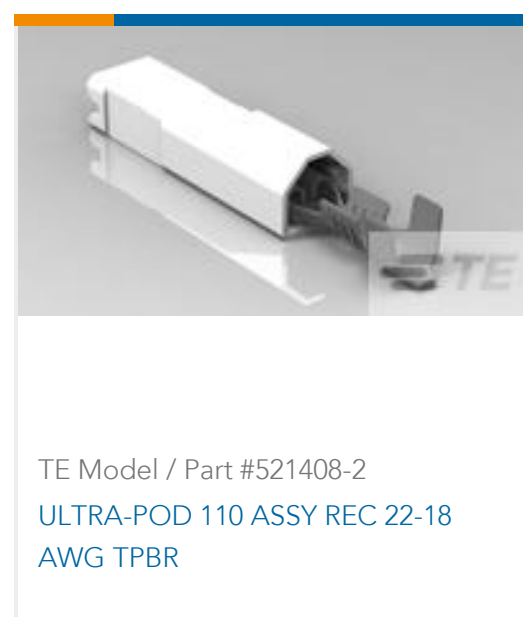
TE Model / Part # 1053770-1
2082 2201 00



TE Model / Part # 1059733-1
4584 2244 02



Customers Also Bought



Documents

Product Drawings

SMA, MALE-MALE, 18G, L1000, WITHOUT ARMOR

English

CAD Files

3D PDF

3D

Customer View Model

[ENG_CVM_CVM_1-2016655-0_A.2d_dxf.zip](#)

English

Customer View Model

[ENG_CVM_CVM_1-2016655-0_A.3d_igs.zip](#)

English

Customer View Model

[ENG_CVM_CVM_1-2016655-0_A.3d_stp.zip](#)

English

By downloading the CAD file I accept and agree to the [Terms and Conditions](#) of use.



Product Specifications

Product Specification

English