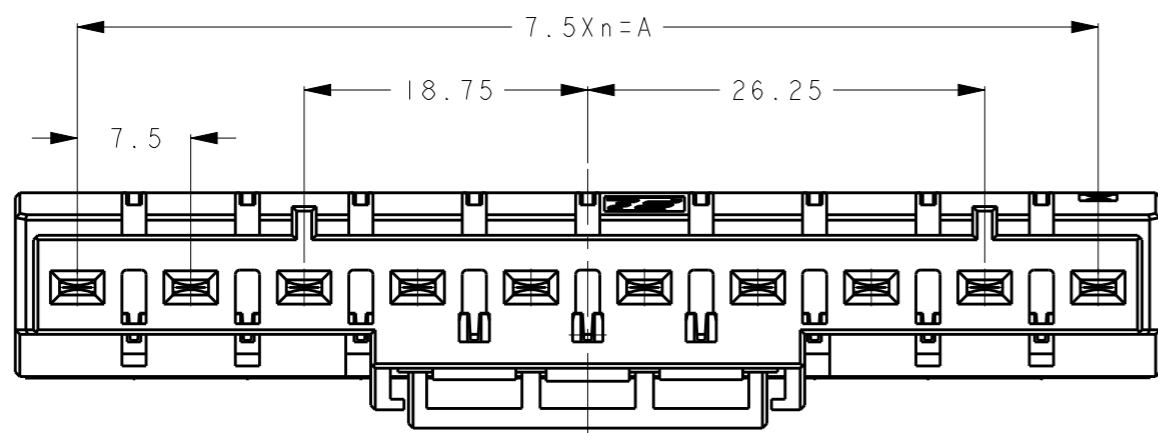
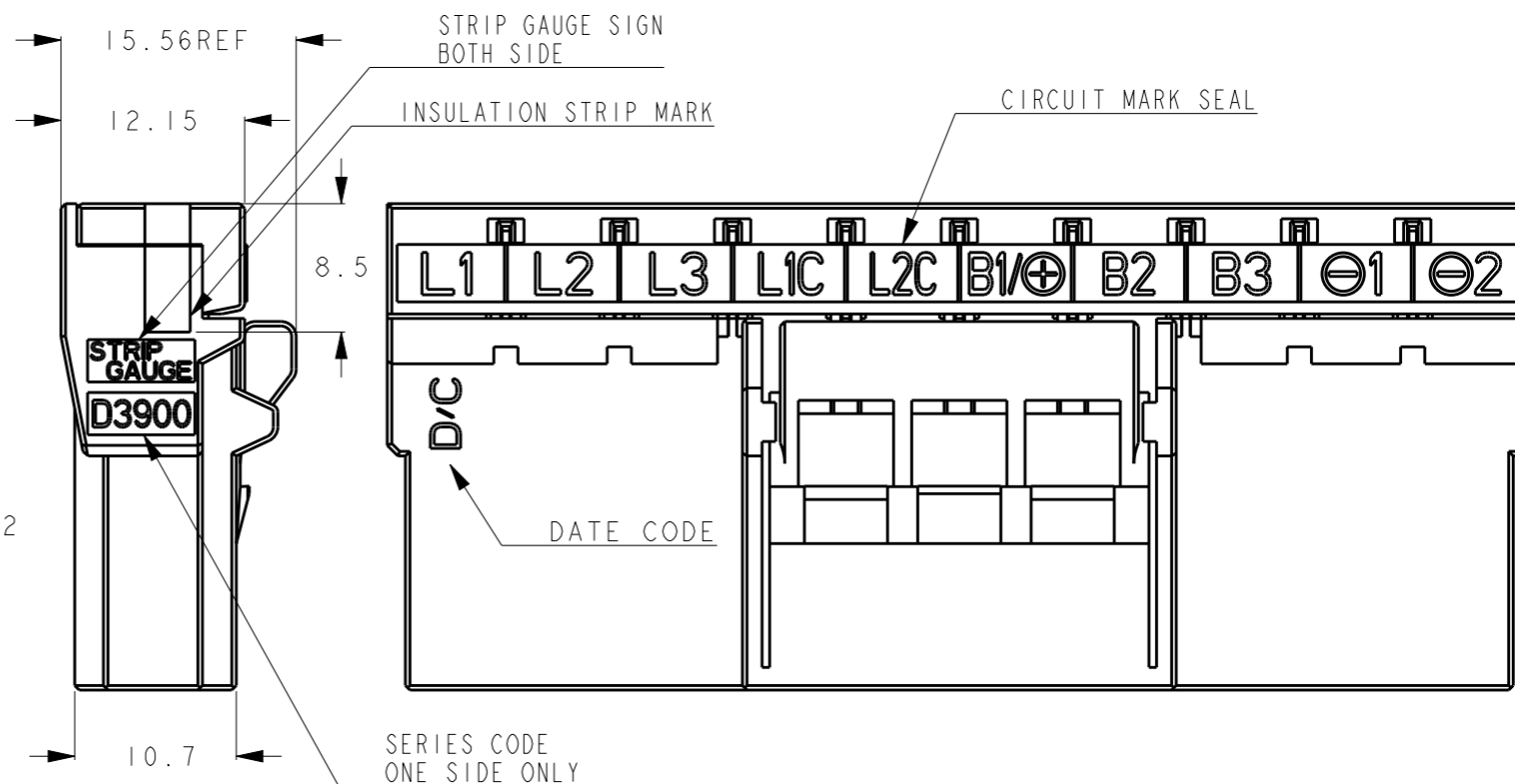
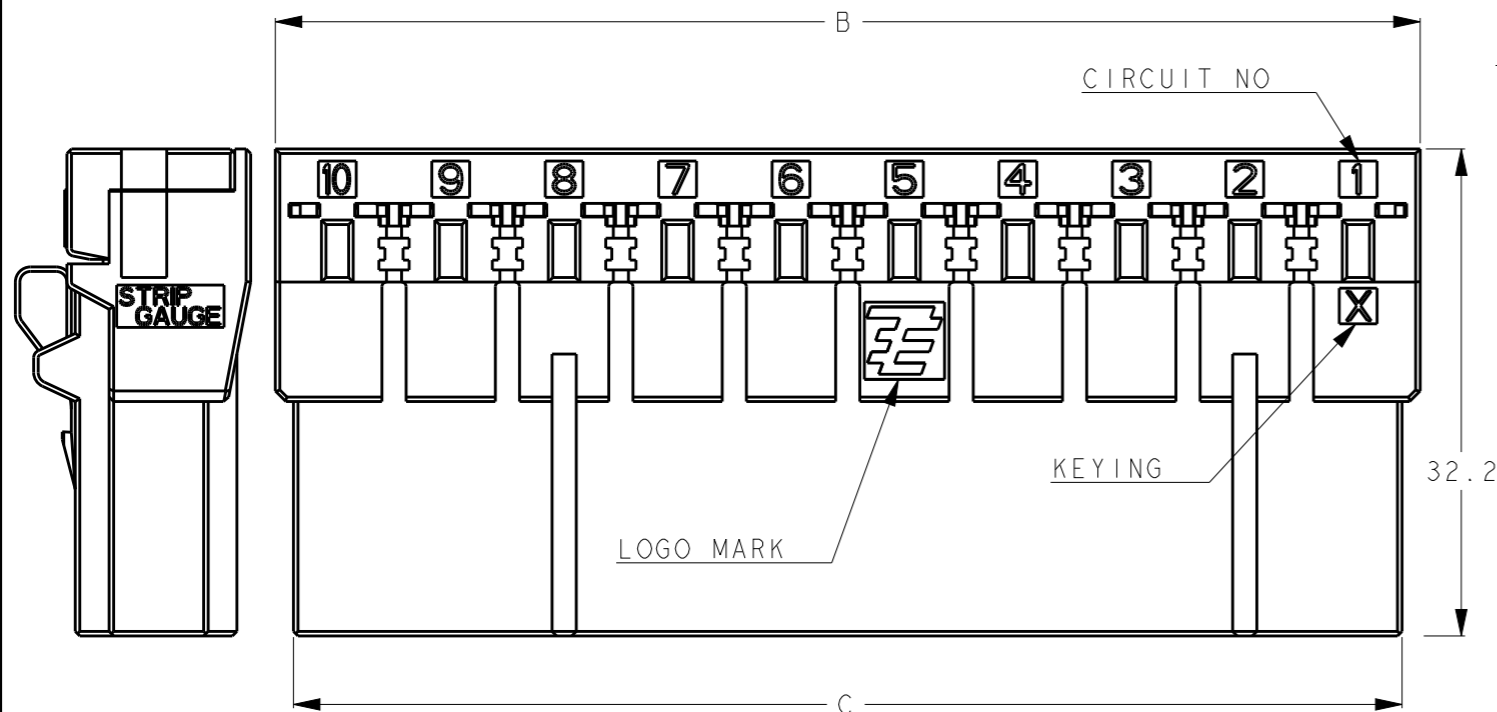
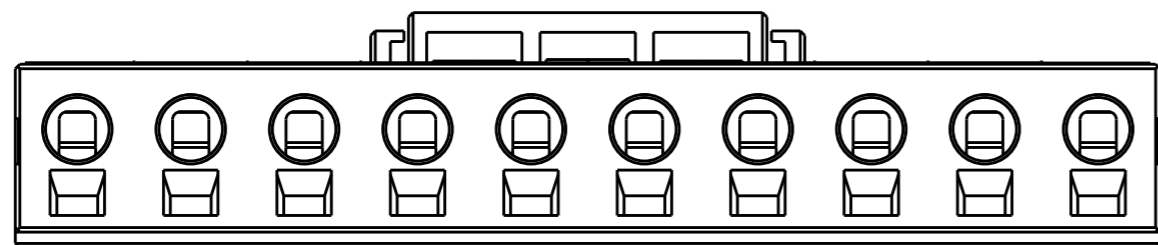


THIS DRAWING IS UNPUBLISHED. RELEASED FOR PUBLICATION 20
 © COPYRIGHT 20 BY Tyco Electronics Japan G.K. ALL RIGHTS RESERVED.

LOC	DIST	REVISIONS					
		P	LTR	DESCRIPTION	DATE	DWN	APVD
J	-		C	REVISED	15APR2014	H.O	N.Y
			D	REVISED	17JUN2014	H.O	N.Y

AS SHOWN : 1-2013522-0 (10POS, X-KEY)




10	Y	9	67.5	75.7	73.3	BLACK	2-2013522-0
10	X	9	67.5	75.7	73.3	BLACK	1-2013522-0
7/10	Z	9	67.9	75.7	73.3	BLACK	9-2013522-0
3	Y	2	15.0	23.2	20.4	NATURAL	4-2013522-3
3	X	2	15.0	23.2	20.4	BLACK	1-2013522-3
POS	KEY	n	A	B	C	COLOR	PART NO

- 1. 材料:ハウジング:熱可塑性ポリエステル樹脂
 コンタクト:銅合金
 スプリング:ステンレス
- 2. めっき:(コンタクト接触部):ニッケル下地めっきの上に金めっき0.38μm以上
- 3. 取扱説明書411-78272参照

- 1. MATERIAL HOUSING:THERMO PLASTIC POLYESTER
 CONTACT:COPPER ALLOY
 SPRING:SUS
- 2. FINISH(CONTACT AREA):0.38μmMIN GOLD PLATED OVER NICKEL
- 3. SEE INSTRUCTION SHEET 411-78272

THIS DRAWING IS A CONTROLLED DOCUMENT.

DIMENSIONS: 単位: 毫 mm	TOLERANCES UNLESS OTHERWISE SPECIFIED: 一般公差 ±0.3, ±5° 0-PLC ±- 1-PLC ±- 2-PLC ±- 3-PLC ±- 4-PLC ±- ANGLES ±-	DWN T. KUDO 21APR2008 CHK S. MANABE 21APR2008 APVD S. MANABE 21APR2008	 TE Connectivity DYNAMIC D3900S 7.5mmPITCH REC ASSY (SPRING CLAMP TYPE) 3-10POS TYPE-A
MATERIAL 材料	FINISH 仕上	PRODUCT SPEC 108-78400 APPLICATION SPEC 取付適用規格 WEIGHT - CUSTOMER DRAWING	

SCALE 尺度 2:1 SHEET 1 OF 3 REV D

THIS DRAWING IS UNPUBLISHED.

RELEASED FOR PUBLICATION

20

© COPYRIGHT 20

BY Tyco Electronics Japan G.K.

ALL RIGHTS RESERVED.

LOC
J

DIST
-

REVISIONS

P LTR

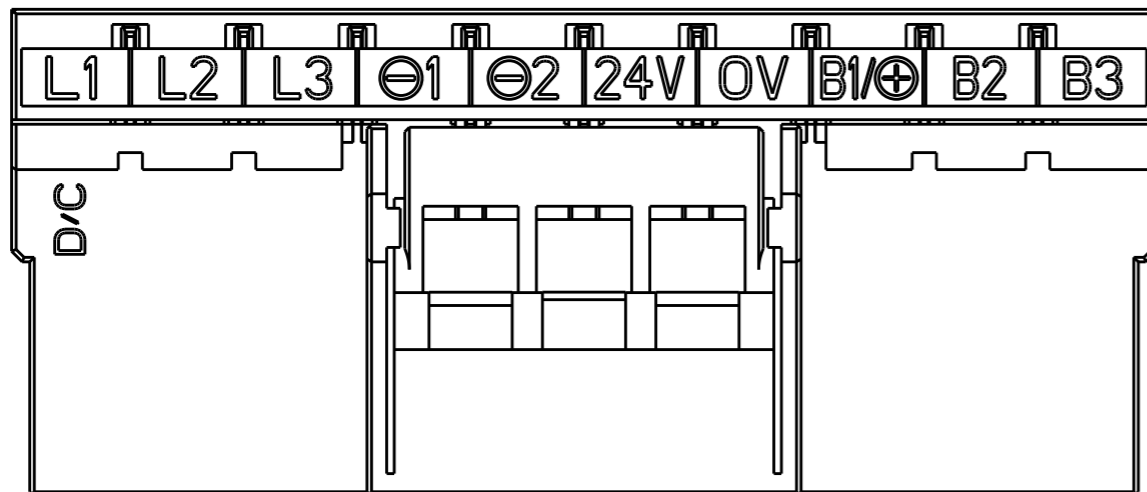
DESCRIPTION

DATE

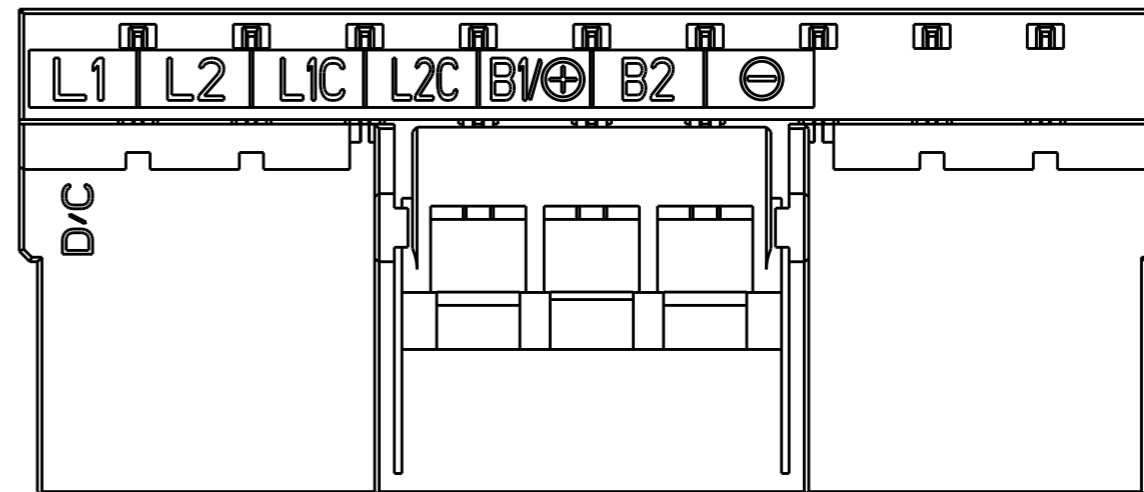
DWN

APVD

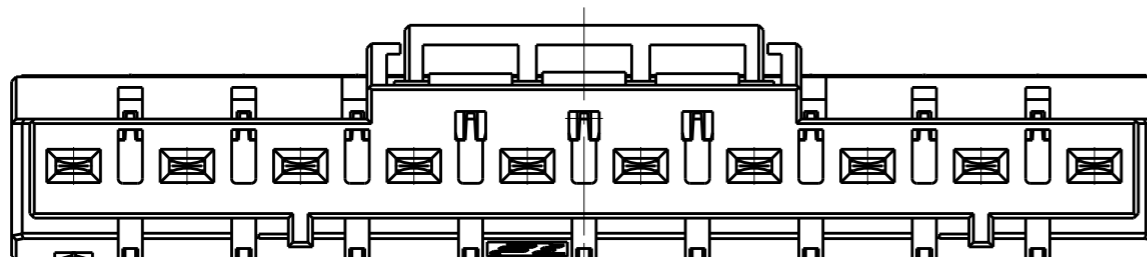
SEE SHEET 1



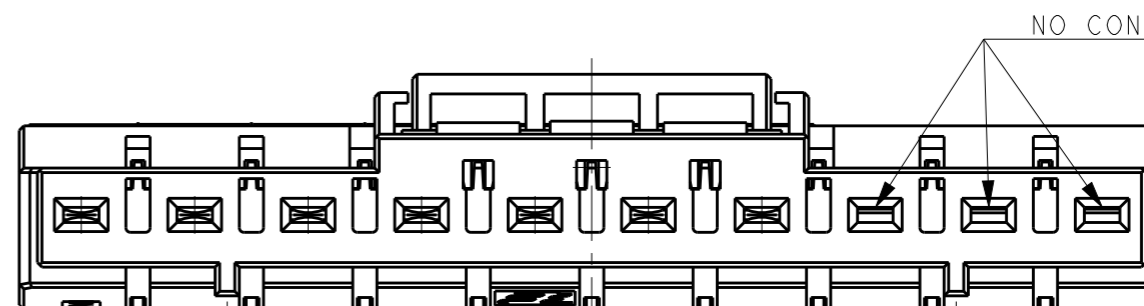
10POS(Y-KEY): 2-2013522-0



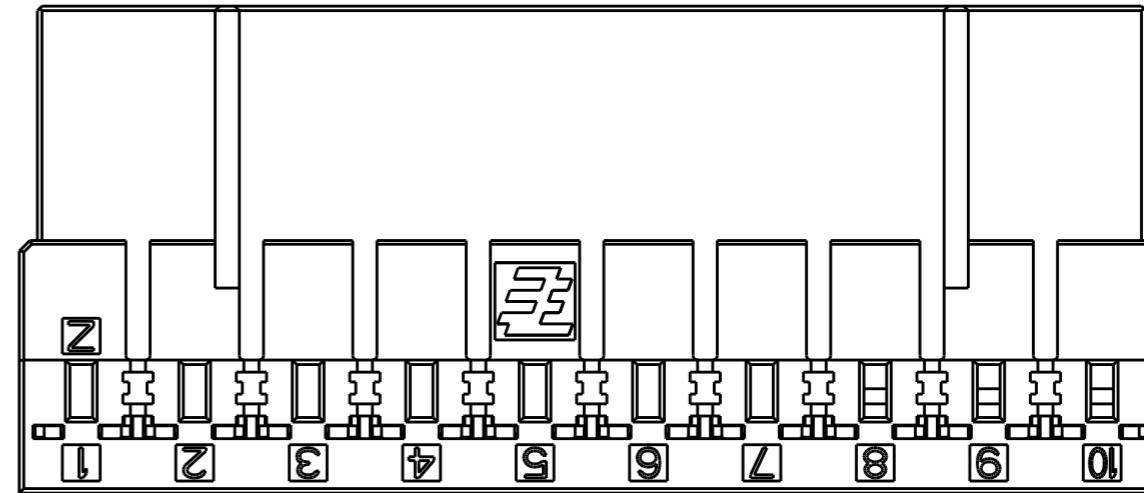
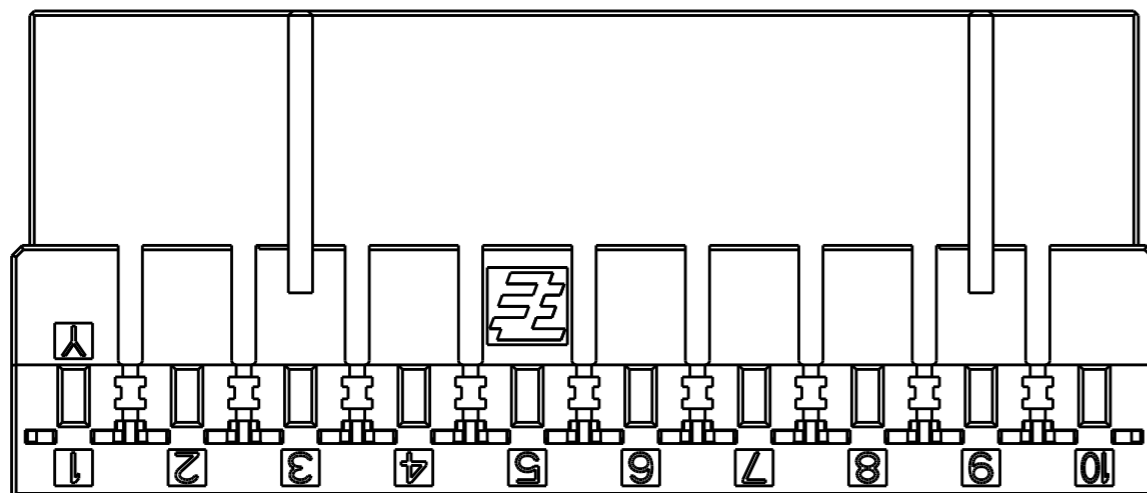
7/10POS(Z-KEY)
CIRCUIT 1~7: 9-2013522-0



18.75 26.25



24.1 24.1



THIS DRAWING IS A CONTROLLED DOCUMENT.

DWN T. KUDO 21APR2008

CHK S. MANABE 21APR2008

APVD S. MANABE 21APR2008

PRODUCT SPEC
108-78400

APPLICATION SPEC

WEIGHT -

CUSTOMER DRAWING



TE Connectivity

NAME
DYNAMIC D3900S 7.5mmPITCH
REC ASSY (SPRING CLAMP TYPE)
3-10POS TYPE-A

SIZE CAGE CODE DRAWING NO RESTRICTED TO

A300779 C-2013522

SCALE 2:1 SHEET 2 OF 3 REV D

DIMENSIONS:
mm
TOLERANCES UNLESS OTHERWISE SPECIFIED:
0 PLC ±.
1 PLC ±.
2 PLC ±.
3 PLC ±.
4 PLC ±.
ANGLES ±.
MATERIAL - FINISH -

SEE SHEET 1 OF 3