



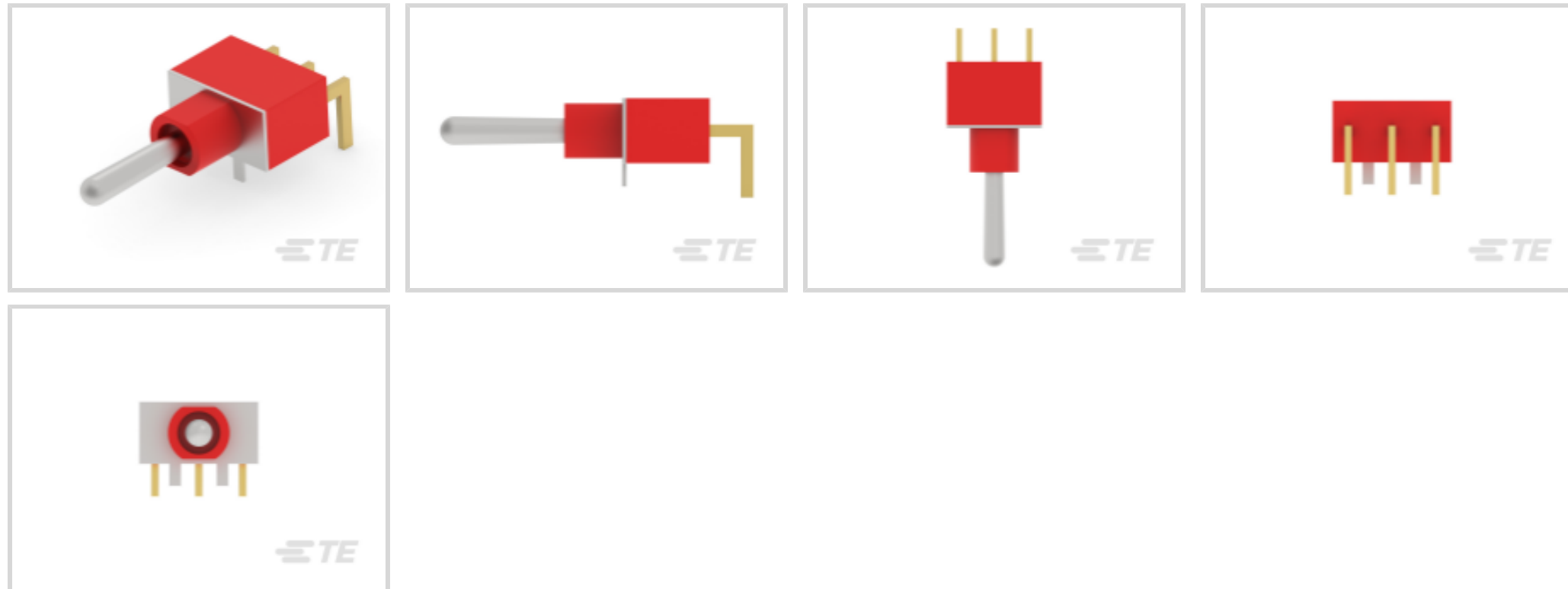
Alcoswitch | Alcoswitch Gemini AE

TE Internal #: 1-1825142-5

Toggle Switches, Single Pole - Double Throw Configuration (Pole-Throw), Copper, Gold, Process Sealed, Baton Long, On On, Alcoswitch Gemini AE

[View on TE.com >](#)

Switches > Toggle Switches



Configuration (Pole-Throw): **Single Pole - Double Throw**

Contact Base Material: **Copper**

Switch Contact Plating Material: **Gold**

Process Sealed: **Yes**

Toggle Style: **Baton Long**

Features

Product Type Features

Sealed Device	Yes
Toggle Style	Baton Long
Switch Type	Toggle

Configuration Features

Configuration (Pole-Throw)	Single Pole - Double Throw
Operating Function	On On

Electrical Characteristics

Dielectric Withstanding Voltage (Max)	1000 VAC
Insulation Resistance	1000 MΩ
Contact Resistance	10 mΩ
Operating Voltage	20 VDC

Body Features

Actuator Finish	Nickel
Product Orientation	Right Angle



Bushing Style	Unthreaded
---------------	------------

Contact Features

Contact Base Material	Copper
-----------------------	--------

Switch Contact Plating Material	Gold
---------------------------------	------

Contact Current Rating	.4 A
------------------------	------

Termination Features

Termination Method to Printed Circuit Board	Through Hole - Solder
---	-----------------------

Mechanical Attachment

Product Mount Type	Panel & Printed Circuit Board
--------------------	-------------------------------

Housing Features

Process Sealed	Yes
----------------	-----

Dimensions

Toggle Length	12.7 mm[.5 in]
---------------	----------------

Industry Standards

UL Flammability Rating	UL 94V-0
------------------------	----------

Product Compliance

[For compliance documentation, visit the product page on TE.com>](#)

EU RoHS Directive 2011/65/EU	Compliant
------------------------------	-----------

EU ELV Directive 2000/53/EC	Compliant with Exemptions
-----------------------------	---------------------------

China RoHS 2 Directive MIIT Order No 32, 2016	No Restricted Materials Above Threshold
---	---

EU REACH Regulation (EC) No. 1907/2006	Current ECHA Candidate List: JUNE 2023 (235) Candidate List Declared Against: JAN 2022 (223)
--	---

SVHC > Threshold:

Pb (3.7% in Component part)

Article Safe Usage Statements:
Do not eat, drink or smoke when using this product. Wash thoroughly after handling. Recycle if possible and dispose of the article by following all applicable governmental regulations relevant to your geographic location.

Halogen Content	Low Halogen - Br, Cl, F, I < 900 ppm per homogenous material. Also BFR/CFR/PVC Free
-----------------	---

Solder Process Capability	Wave solder capable to 265°C
---------------------------	------------------------------

Product Compliance Disclaimer



This information is provided based on reasonable inquiry of our suppliers and represents our current actual knowledge based on the information they provided. This information is subject to change. The part numbers that TE has identified as EU RoHS compliant have a maximum concentration of 0.1% by weight in homogenous materials for lead, hexavalent chromium, mercury, PBB, PBDE, DBP, BBP, DEHP, DIBP, and 0.01% for cadmium, or qualify for an exemption to these limits as defined in the Annexes of Directive 2011/65/EU (RoHS2). Finished electrical and electronic equipment products will be CE marked as required by Directive 2011/65/EU. Components may not be CE marked. Additionally, the part numbers that TE has identified as EU ELV compliant have a maximum concentration of 0.1% by weight in homogenous materials for lead, hexavalent chromium, and mercury, and 0.01% for cadmium, or qualify for an exemption to these limits as defined in the Annexes of Directive 2000/53/EC (ELV). Regarding the REACH Regulation, the information TE provides on SVHC in articles for this part number is based on the latest European Chemicals Agency (ECHA) 'Guidance on requirements for substances in articles' posted at this URL: <https://echa.europa.eu/guidance-documents/guidance-on-reach>

Compatible Parts



TE Part # 1825142-2
AE101MD1AG04



TE Part # 2-1825142-4
AE103MD1AB04




TE Part # 4-1825142-2
AE107MD1AV2B04



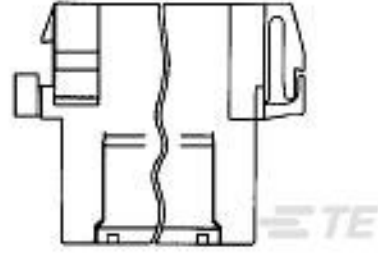
TE Part # 2-1825142-5
AE103MD1AV2B04

Also in the Series | Alcoswitch Gemini AE



Toggle Switches(20)

Customers Also Bought



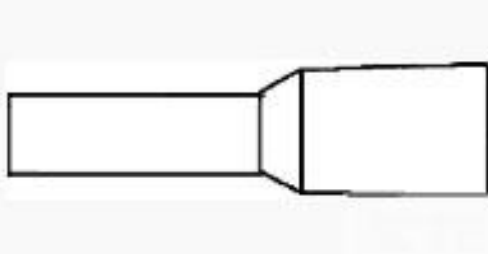
TE Part #929505-2
FF FLA-STE-GEG2X3P



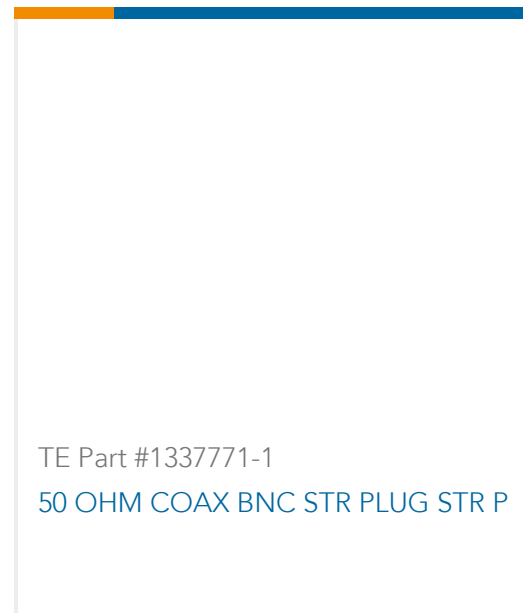
TE Part #1622486-1
LR1 1% 470R



TE Part #1337808-1
50 OHM COAX SMA STR PLUG STR P



TE Part #966067-5
FER,WIRE,PL SLV,.75/18,L8,GREY,LP



Documents

Product Drawings

[AE101SD1AB04](#)

English

CAD Files

Customer View Model

[ENG_CVM_CVM_1-1825142-5_A.3d_igs.zip](#)

English

Customer View Model

[ENG_CVM_CVM_1-1825142-5_A.3d_stp.zip](#)

English

Customer View Model

[ENG_CVM_CVM_1-1825142-5_A.2d_dxf.zip](#)

English

3D PDF

3D

By downloading the CAD file I accept and agree to the [Terms and Conditions](#) of use.

Datasheets & Catalog Pages

[SWITCHES_CORE_PROGRAM_CATALOG](#)

English

[GEMINI_SERIES_SWITCHES_QUICK_REF_GUIDE_2-1773458-5](#)

English