

1-176497-9 ✓ ACTIVE

[Positive Lock](#) | [Positive Lock 250](#)

TE Internal #: 1-176497-9

Insulation Boots & Sleeves, Insulation Sleeve, Flag, Nylon 6/6,
Black, Bag, -40 – 221 °F [-40 – 105 °C], Positive Lock 250

[View on TE.com >](#)



Terminals & Splices > Terminal Housings, Insulation Sleeves & Blocks > Insulation Boots & Sleeves



Insulation Boot & Sleeve Product Type: **Insulation Sleeve**

Terminal Orientation: **Flag**

Compatible Insulation Diameter (Max): **4.2 mm [.165 in]**

Compatible Insulation Diameter Range: **2.8 – 4.2 mm [.11 – .165 in]**

Primary Product Material: **Nylon 6/6**

Features

Product Type Features

Insulation Boot & Sleeve Product Type	Insulation Sleeve
---------------------------------------	-------------------

Configuration Features

Number of Positions	1
---------------------	---

Body Features

Primary Product Material	Nylon 6/6
Primary Product Color	Black

Contact Features

Terminal Orientation	Flag
----------------------	------

Dimensions

Product Length	30.6 mm[1.2 in]
Compatible Insulation Diameter (Max)	4.2 mm[.165 in]
Compatible Insulation Diameter Range	2.8 – 4.2 mm[.11 – .165 in]

Usage Conditions

Operating Temperature Range	-40 – 105 °C[-40 – 221 °F]
-----------------------------	----------------------------



Packaging Features

Packaging Method	Bag
------------------	-----

Product Compliance

[For compliance documentation, visit the product page on TE.com>](#)

EU RoHS Directive 2011/65/EU	Compliant
EU ELV Directive 2000/53/EC	Compliant
China RoHS 2 Directive MIIT Order No 32, 2016	No Restricted Materials Above Threshold
EU REACH Regulation (EC) No. 1907/2006	Current ECHA Candidate List: JUNE 2024 (241) Candidate List Declared Against: JAN 2024 (240) Does not contain REACH SVHC
Halogen Content	Low Halogen - Br, Cl, F, I < 900 ppm per homogenous material. Also BFR/CFR/PVC Free
Solder Process Capability	Not applicable for solder process capability

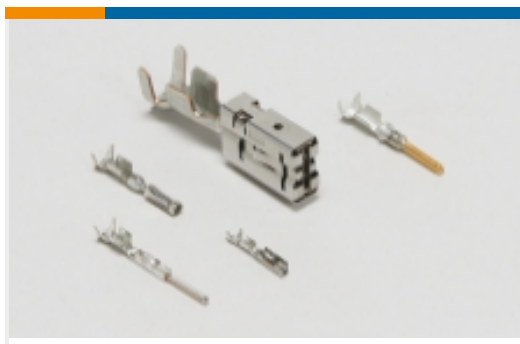
Product Compliance Disclaimer

This information is provided based on reasonable inquiry of our suppliers and represents our current actual knowledge based on the information they provided. This information is subject to change. The part numbers that TE has identified as EU RoHS compliant have a maximum concentration of 0.1% by weight in homogenous materials for lead, hexavalent chromium, mercury, PBB, PBDE, DBP, BBP, DEHP, DIBP, and 0.01% for cadmium, or qualify for an exemption to these limits as defined in the Annexes of Directive 2011/65/EU (RoHS2). Finished electrical and electronic equipment products will be CE marked as required by Directive 2011/65/EU. Components may not be CE marked. Additionally, the part numbers that TE has identified as EU ELV compliant have a maximum concentration of 0.1% by weight in homogenous materials for lead, hexavalent chromium, and mercury, and 0.01% for cadmium, or qualify for an exemption to these limits as defined in the Annexes of Directive 2000/53/EC (ELV). Regarding the REACH Regulation, the information TE provides on SVHC in articles for this part number is based on the latest European Chemicals Agency (ECHA) 'Guidance on requirements for substances in articles' posted at this URL: <https://echa.europa.eu/guidance-documents/guidance-on-reach>

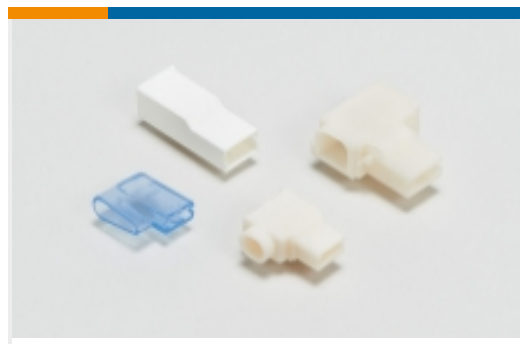
Compatible Parts



Also in the Series | [Positive Lock 250](#)



Automotive Terminals(1)



Crimp Terminal Housings(191)



Insertion & Extraction Tools(3)

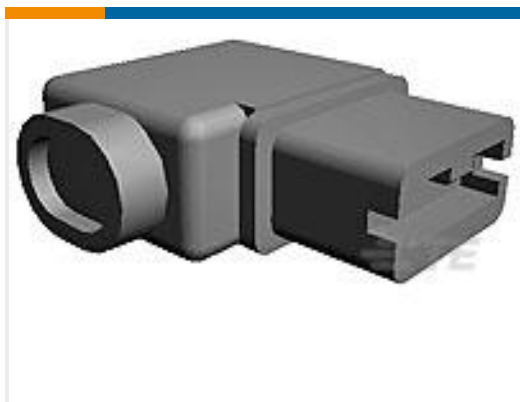


Insulation Boots & Sleeves(4)



Quick Disconnects(185)

Customers Also Bought



TE Part #1-176497-1
250 HSG. PL EX FLAG REC. NAT



TE Part #179973-1
250 PL EX REC. 22-18AWG PTBR



TE Part #179974-1
250 PL EX REC. 18-14AWG PTBR



TE Part #5-177899-1
POWER DBL LOCK PLUG HSG 3P (GWT)



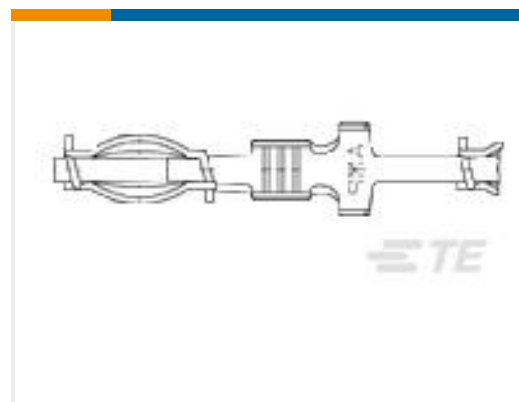
TE Part #5-179463-1
POWER DBL LOCK CAP HSG F/H 2P (GWT)



TE Part #175022-1
250 PL EX REC. 18-14AWG PTBR



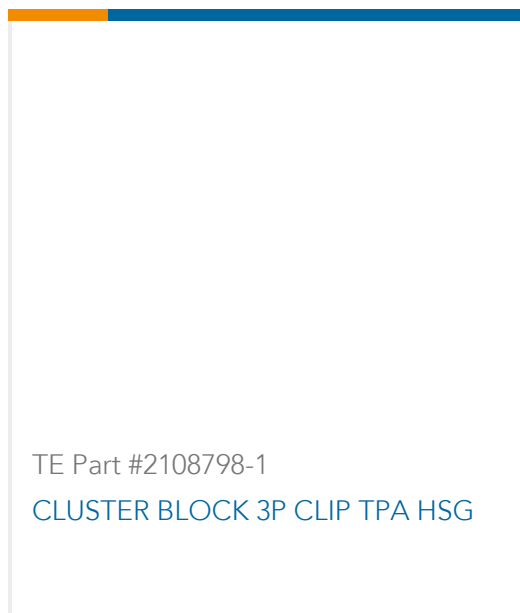
TE Part #1743729-1
FG TERMINAL



TE Part #5-170063-2
CLUSTER REC



TE Part #2-2005820-9
CLUSTER BLOCK 3P CLIP HSG(GWT)



TE Part #2108798-1
CLUSTER BLOCK 3P CLIP TPA HSG

Documents



CAD Files

3D PDF

3D

Customer View Model

[ENG_CVM_CVM_1-176497-9_M5.2d_dxf.zip](#)

English

Customer View Model

[ENG_CVM_CVM_1-176497-9_M5.3d_igs.zip](#)

English

Customer View Model

[ENG_CVM_CVM_1-176497-9_M5.3d_stp.zip](#)

English

By downloading the CAD file I accept and agree to the [Terms and Conditions](#) of use.

Product Specifications

Application Specification

English

Agency Approvals

UL Report

English

UL Report

English

UL Report

English